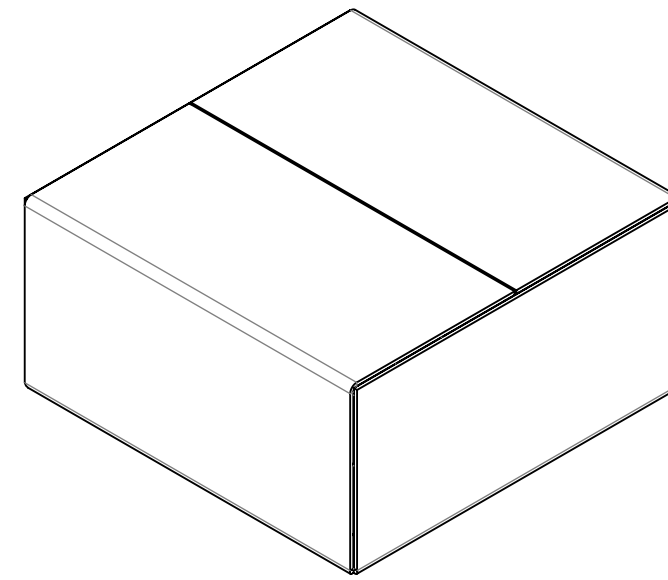
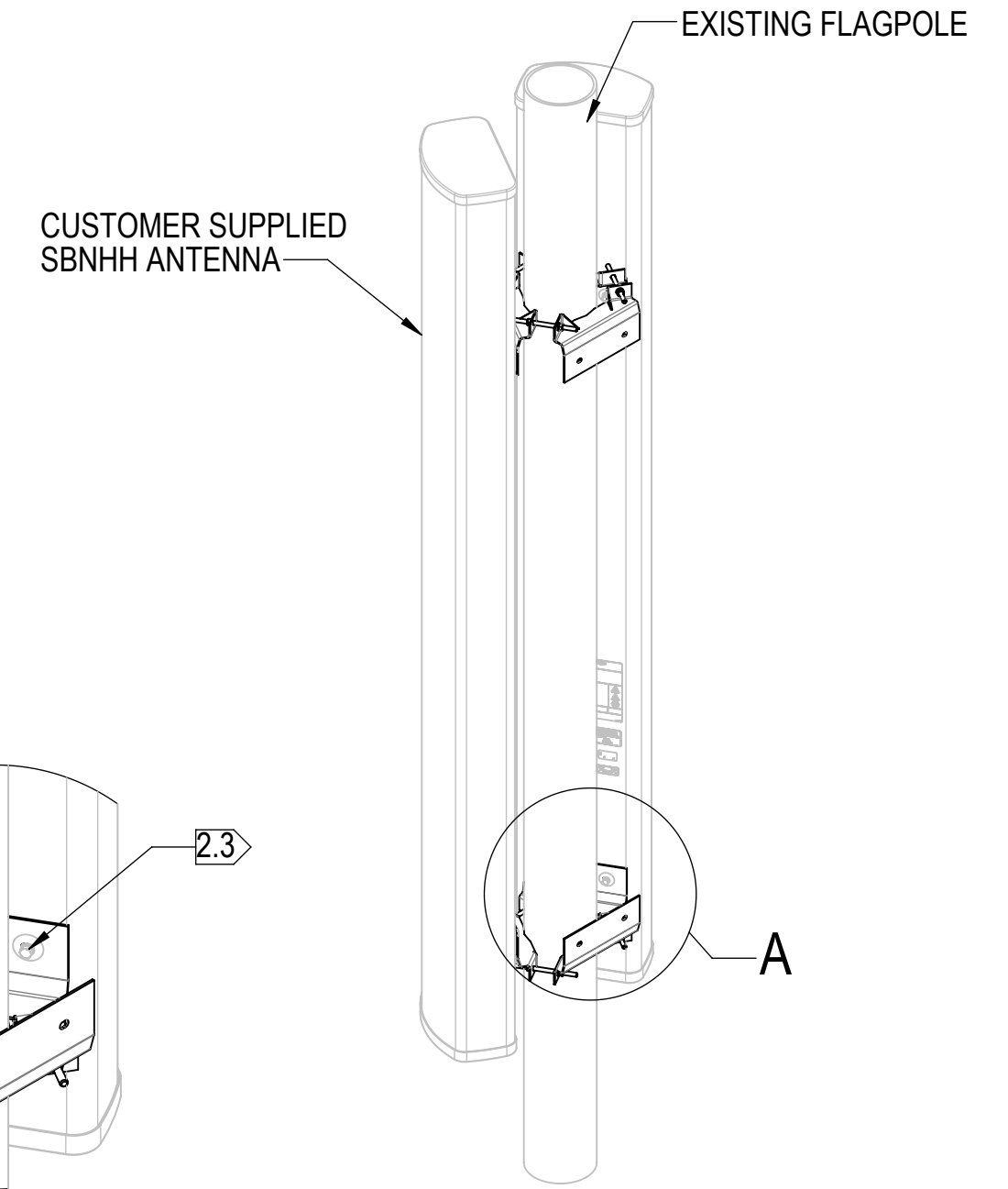


- 1.0 GENERAL NOTES
 1.1 ALL METRIC DIMENSIONS ARE IN BRACKETS [X. X]
 1.2 FOR PATENT INFO: <https://www.adwpat.com>
- 2.0 DESIGN NOTES
 2.1 ANY HAZARDS OR OBSTRUCTIONS TO THE CLIMBING FACILITY AND SAFETY CLIMB MUST BE IDENTIFIED PRIOR TO INSTALLING THE APPURTENANCE. ADDITIONAL PRODUCTS MAY BE REQUIRED TO MAINTAIN THE INTEGRITY OF THE SAFETY CLIMB. DURING INSTALLATION, TEMPORARY AND/OR PERMANENT PRECAUTIONARY MEASURES SHOULD BE TAKEN TO PRESERVE THE CLIMBING FACILITY AND/OR SAFETY CLIMB.
 2.2 FITS POLES $\phi 4.5'' - \phi 8.63''$
 2.3 USE HARDWARE FROM SBNHH ANTENNA FOR MOUNTING BRACKETS TO ANTENNA.
 2.4 ANTENNA PIM MAY BE AFFECTED WITH THE USE OF ALTERNATE ANTENNA BRACKETS.
- 3.0 MANUFACTURING/SPECIAL REQUIREMENTS
 3.1 TIGHTEN ALL BOLTS SECURING FLAT PLATES BY THE TURN-OF-NUT METHOD. TIGHTEN ALL U-BOLTS USING TURN-OF-NUT METHOD WITH ATTENTION TO LEAVE EQUAL DISTANCE AND EQUAL FORCE ON EACH LEG OF THE U-BOLT.
- 4.0 TEST
- 5.0 PACKAGING
 5.1 PACKAGING SHALL MEET ANDREW REQUIREMENTS PER DOCUMENT IS-PL-3005
 5.2 PRINTED DOCUMENT TO BE PLACED INSIDE POLYBAG AND THEN IN SHIPPING CONTAINER
 5.3 EXTRA HARDWARE MAY BE SUPPLIED, BAGGED AND SHIPPED

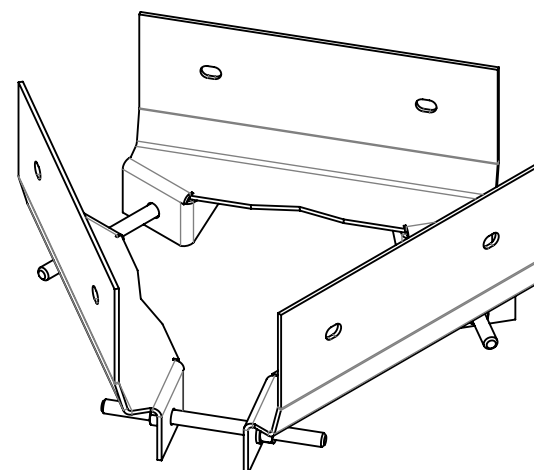
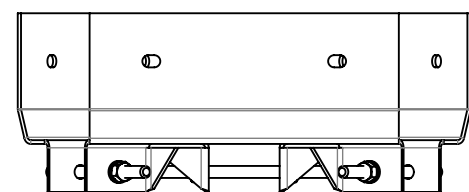
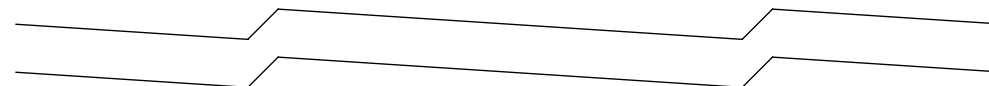
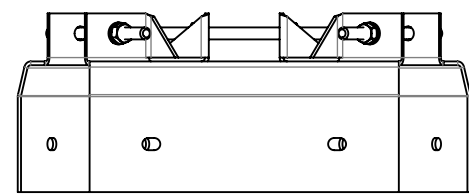
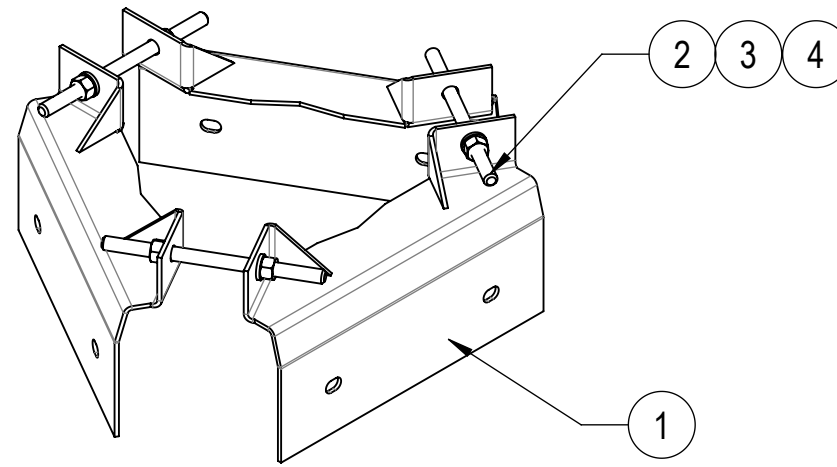
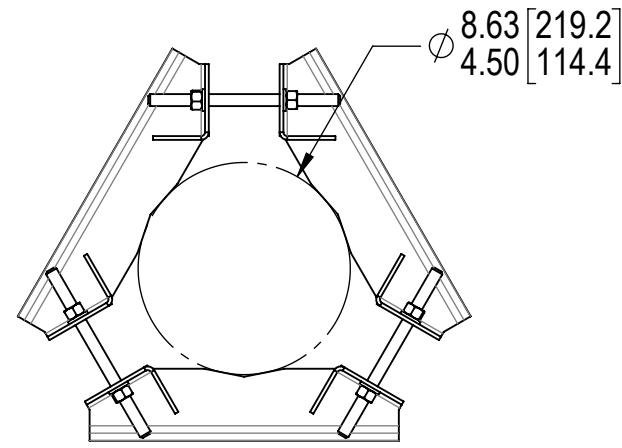
REVISIONS			
REV.	DESCRIPTION	DATE	APPROVED
A	INITIAL RELEASE	MSM 11/10/14	8000005749
B	ADD SHEET 2	MSM 01/07/15	8000006432
C	UPDATED NOTES	DRR 06/01/17	8000023635
D	UPDATED DRAWING TO NEW FORMAT	RY1002 06NOV25	BA1025 50105727AMO



PACKAGE



DETAIL A
SCALE 1 : 8



**COMPONENT PART NUMBERS PROVIDED FOR ASSEMBLY PURPOSES;
 INDIVIDUAL COMPONENTS MAY BE SHIPPED AS PARTS WITHIN AN INCLUDED KIT.**

ITEM	PART NO.	DESCRIPTION	QTY.	WEIGHT	NOTE NO.
1	MTC316903	ANTENNA FLAG POLE MOUNT BRACKET FOR SBNHH	6	2.12 LBS	
2	MT-371	3/8" X 6" SS THREADED ROD	6	0.19 LBS	
3	SWL-03	3/8" SS LOCK WASHER	12	0.01 LBS	
4	SN-03	3/8" SS NUT	12	0.02 LBS	

DENSITY	14.12	lbs/in ³
MASS	14.12	lbs
VOLUME	720.40	in ³
SURFACE AREA	5665.89	in ²
HEIGHT		
LENGTH	14.1"	
WIDTH	12.3"	

ANDREW® an Amphenol company

TOLERANCES: 1 PLACE .X[X] ± 0.12[3.0] 3 PLACE .XXX[X] ± 0.030[0.8]
 2 PLACE .XX[X] ± 0.06[1.5] ANGLES ± 2°

SAP MATERIAL MASTER: **MTC3169SBNHH**

FINISH: MATERIAL:

UNLESS OTHERWISE SPECIFIED DIMENSIONS ARE IN INCHES INTERPRET PER ANSI Y 14.5M-1994

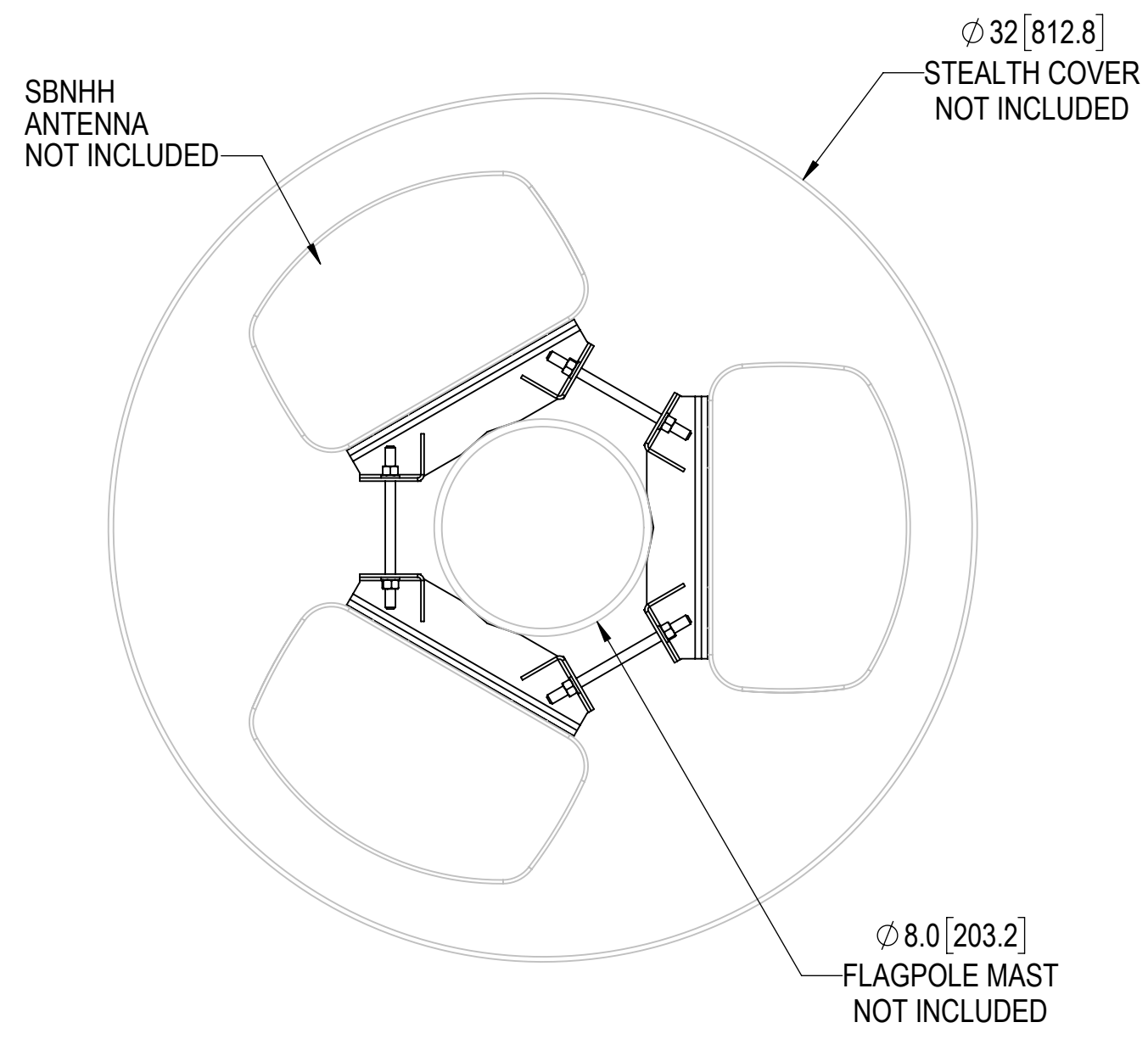
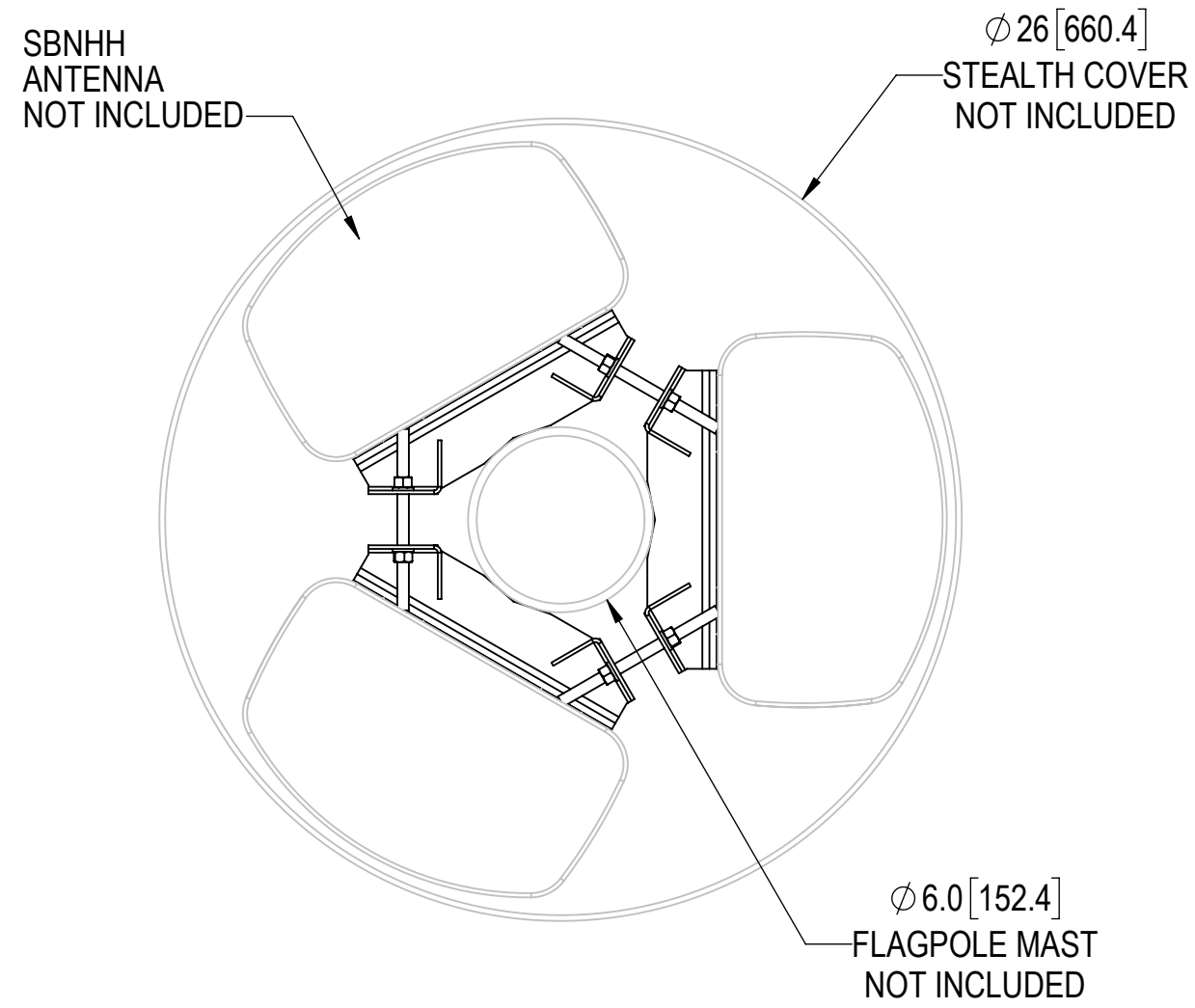
NAME	DATE	TITLE
CE MSM	11/10/14	FLAG POLE MOUNT KIT FOR SBNHH ANTENNAS
RW RY1002	11/10/2025	
AD YMENG	11/16/2025	
RE YMENG	11/19/2025	

SCALE: **1:5** DOCUMENT NO.: **MTC3169SBNHH**

SIZE	Auth Group	INSL	MODEL	DRAWING			SHEET		
C			VERSION	STATUS	REVISION	VERSION	STATUS	REVISION	1 OF 2
			01	RE	D	01	RE	D	

Confidential

FLAGPOLE LAYOUTS



TITLE
FLAG POLE MOUNT KIT FOR SBNHH ANTENNAS

SIZE C	SCALE 1:6	DOCUMENT NO. MTC3169SBNHH
------------------	---------------------	-------------------------------------

	DRAWING			SHEET 2 OF 2
	VERSION 01	STATUS RE	REVISION D	

Confidential