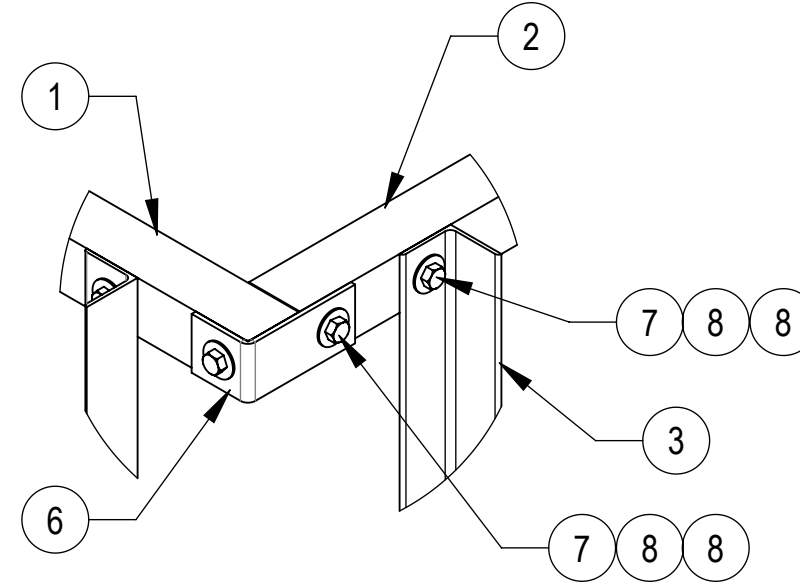
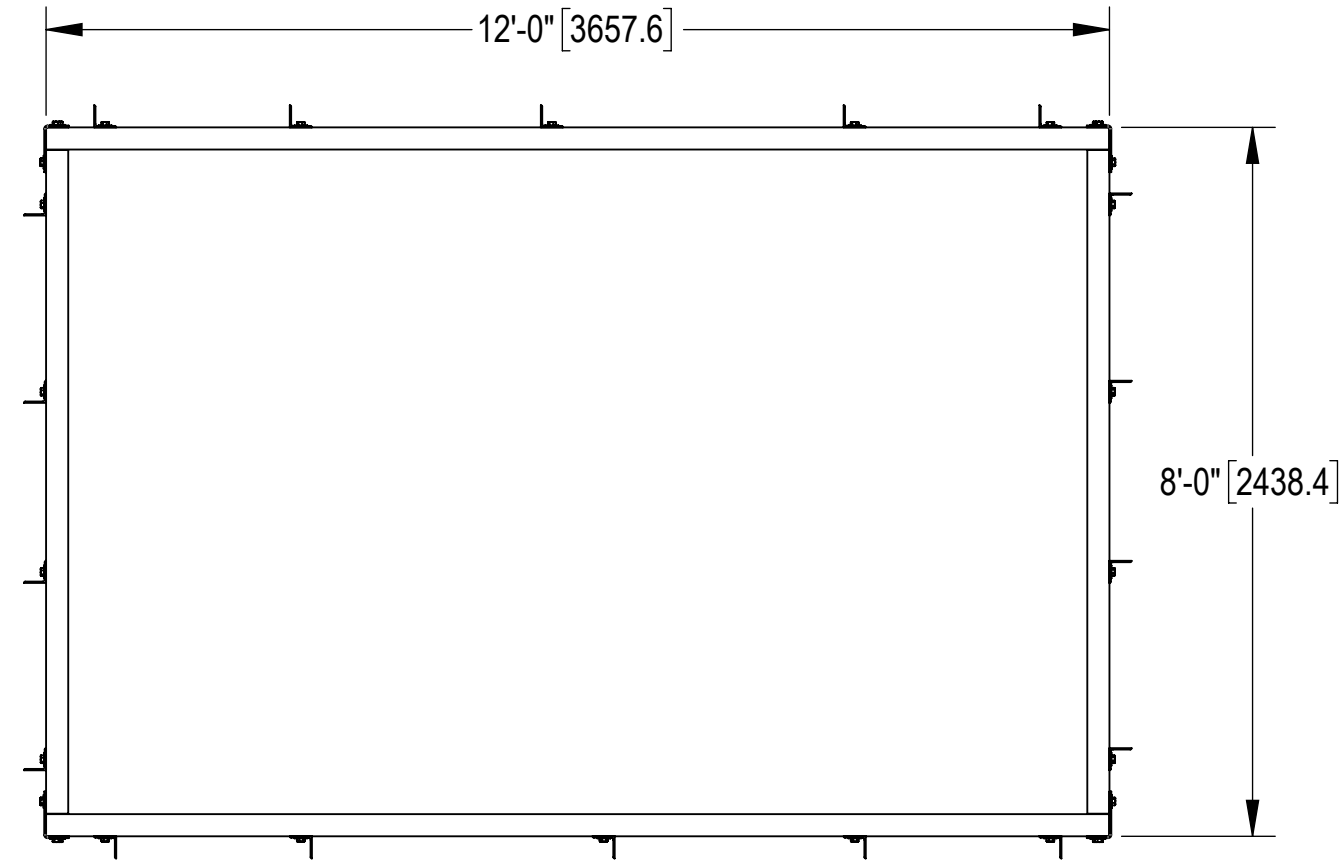
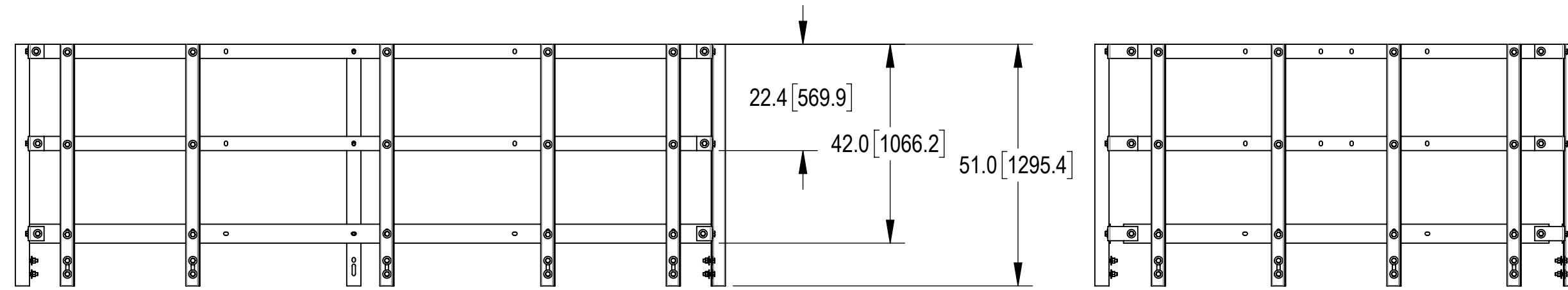
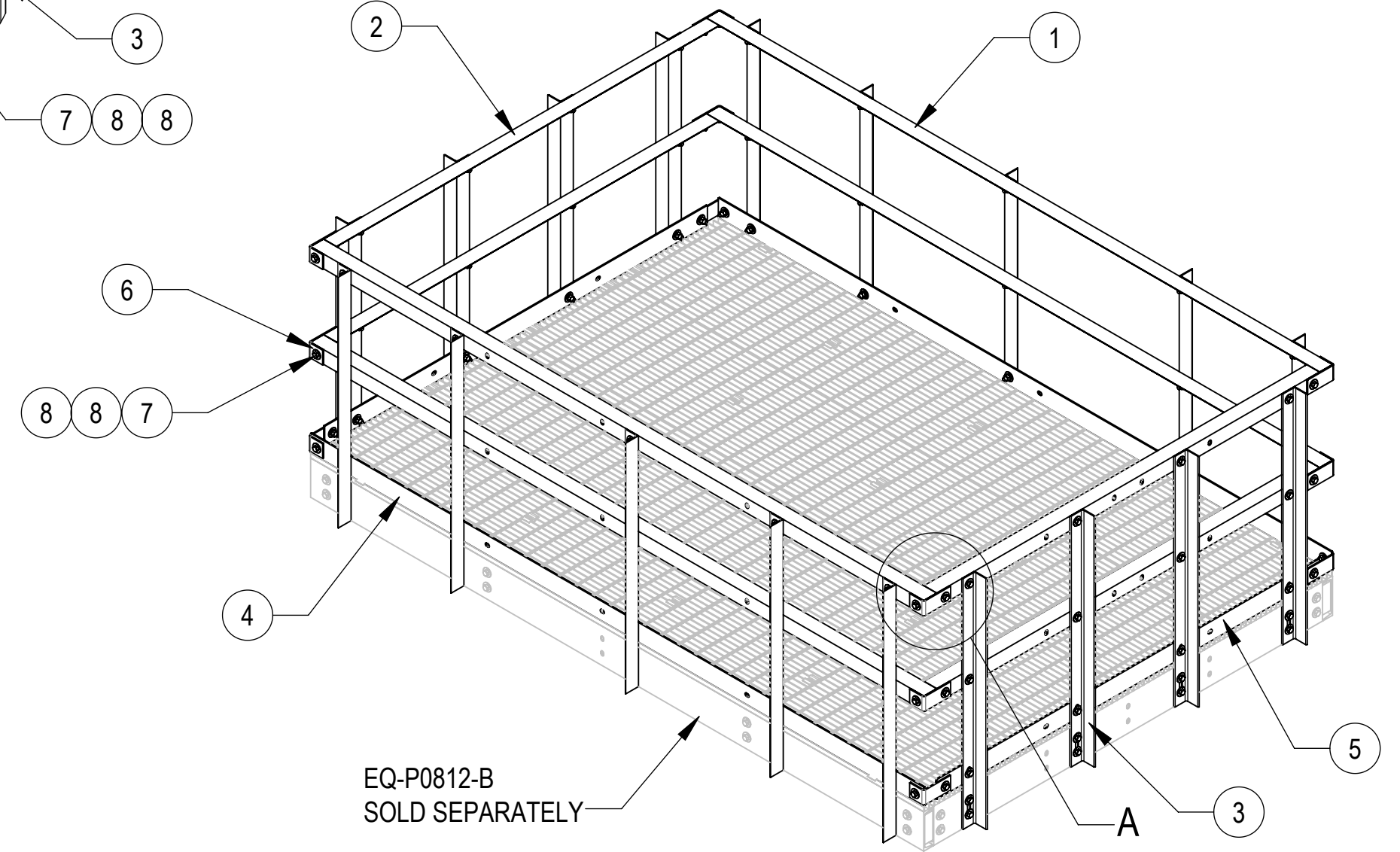


- 1.0 GENERAL NOTES
 1.1 ALL METRIC DIMENSIONS ARE IN BRACKETS [X. X]
 1.2 FOR PATENT INFO: <https://www.adwpat.com>
 2.0 DESIGN NOTES
 3.0 MANUFACTURING/SPECIAL REQUIREMENTS
 3.1 TIGHTEN ALL BOLTS SECURING FLAT PLATES BY THE TURN-OF-NUT METHOD. TIGHTEN ALL U-BOLTS USING TURN-OF-NUT METHOD WITH ATTENTION TO LEAVE EQUAL DISTANCE AND EQUAL FORCE ON EACH LEG OF THE U-BOLT.
 4.0 TEST
 5.0 PACKAGING
 5.1 PACKAGING SHALL MEET ANDREW REQUIREMENTS PER DOCUMENT IS-PL-3005
 5.2 PRINTED DOCUMENT TO BE PLACED INSIDE POLYBAG AND THEN IN SHIPPING CONTAINER
 5.3 EXTRA HARDWARE MAY BE SUPPLIED, BAGGED AND SHIPPED

REVISIONS			
REV.	DESCRIPTION	DATE	APPROVED
A	INITIAL RELEASE	MSM 24JAN14	
B	UPDATED DRAWING FORMAT TO NEW	LL1090 02SEP25	BA1025 50104681AMO



DETAIL A
SCALE 1 : 8



COMPONENT PART NUMBERS PROVIDED FOR ASSEMBLY PURPOSES;
 INDIVIDUAL COMPONENTS MAY BE SHIPPED AS PARTS WITHIN AN INCLUDED KIT.

ITEM	PART NO.	DESCRIPTION	QTY.	WEIGHT	NOTE NO.
1	MTC7902101201	12' SIDE HANDRAIL	4	44.15 LBS	
2	MTC7902080810	8' END HANDRAIL	4	27.44 LBS	
3	EQHR01	HANDRAIL POST	18	15.52 LBS	
4	MTC7902101202	12' SIDE TOEBOARD	2	40.17 LBS	
5	MTC7902080811	8' END TOEBOARD	2	25.00 LBS	
6	MTC790208	HANDRAIL ANGLE CLIP	12	1.87 LBS	
7	GB-05205	5/8" X 2" GALV BOLT KIT	112	0.26 LBS	
8	GW-05	5/8" GALV FLAT WASHER, 1.70D	224	0.06 LBS	

DENSITY	772.42	lbs/in ³
MASS	772.42	lbs
VOLUME	2741.08	in ³
SURFACE AREA	28779.16	in ²
HEIGHT	51"	
LENGTH	150"	
WIDTH	102"	

Confidential



TOLERANCES		SAP MATERIAL MASTER	
0 PLACE	X[X] ± 0.25[6.3]	2 PLACE	.XX[X] ± 0.06[1.5]
1 PLACE	X[X] ± 0.12[3.0]	ANGLES	± 2°
FINISH		MATERIAL	
		EQ-HR0812	
UNLESS OTHERWISE SPECIFIED DIMENSIONS ARE IN INCHES INTERPRET PER ANSI Y 14.5M-1994	NAME	DATE	TITLE
	CE MSM	24JAN14	HANDRAIL KIT FOR 8' X 12' PLATFORM
	RW JJ1095	09/08/2025	
	AD YMENG	09/08/2025	
RE YMENG	09/10/2025		
ECN	50104681AMO	SCALE	DOCUMENT NO.
		1:24	EQ-HR0812
SIZE	Auth Group	INSL	MODEL
C			
VERSION	STATUS	REVISION	VERSION
01	RE	B	01
DRAWING		STATUS	REVISION
		RE	B
SHEET			1 OF 1