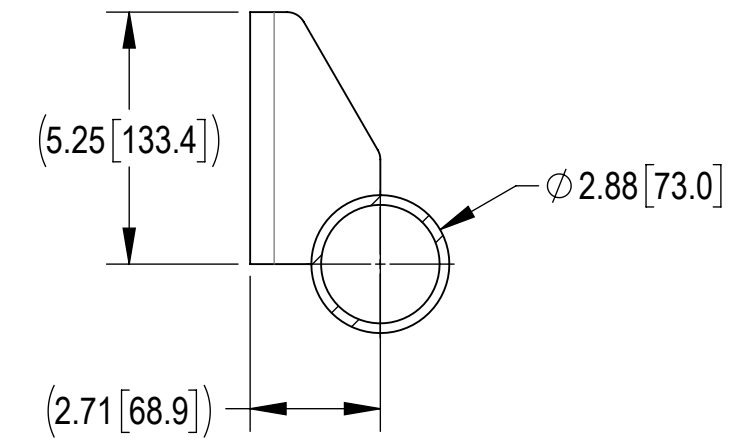
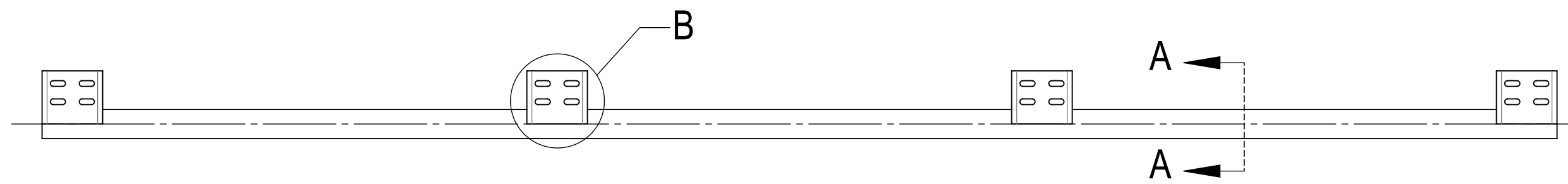
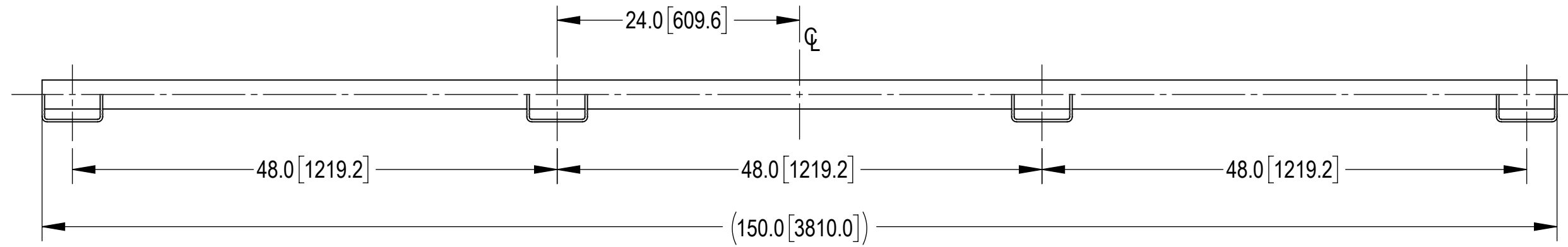
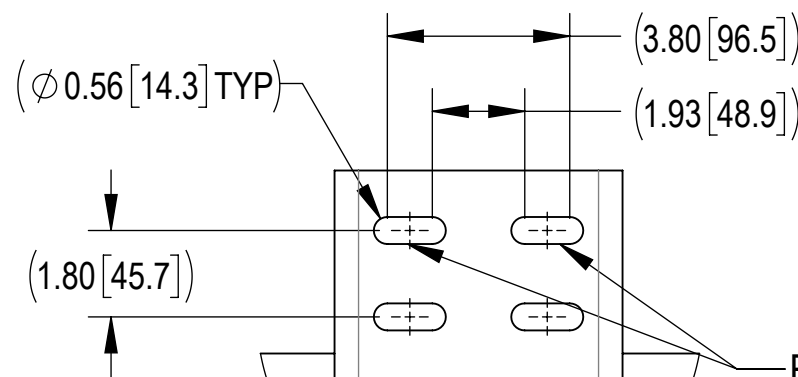


- 1.0 GENERAL NOTES
 1.1 ALL METRIC DIMENSIONS ARE IN BRACKETS [X.X]
 1.2 FEATURES CRITICAL TO QUALITY ARE INDICATED IN ROUNDED BOX (XX)
 1.3 3D DIGITAL FILES ARE FOR REFERENCE. IN CASE OF CONFLICT FOLLOW PDF DRAWING
- 2.0 DESIGN NOTES
- 3.0 MANUFACTURING/SPECIAL REQUIREMENTS
 3.1 BREAK SHARP EDGES AND DEBURR PART FOR SAFE HANDLING
 3.2 GALVANIZE PER ASTM A123
 3.3 MARK WITH PART NUMBER, REVISION, AND VENDOR ID WITH ETCH, STAMP OR LABEL. CHARACTERS TO BE 0.12" TO 0.24" HIGH AND LEGIBLE TO THE UNAIDED EYE.
- 4.0 TEST
- 5.0 PACKAGING
 5.1 PACKAGING SHALL MEET COMMSCOPE REQUIREMENTS PER DOCUMENT IS-PL-3005

REVISIONS			
REV.	DESCRIPTION	DATE	APPROVED
A	INITIAL RELEASE	JL1183 18OCT23	XK1001 40179678CMO
B	ADDED DETAIL VIEW	YMENG 24APR2024	TN1010 40194309CMO
C	UPDATED NOTES AND REMOVED BARE LEVEL	LL1090 28AUG24	BA1025 40203400CMO

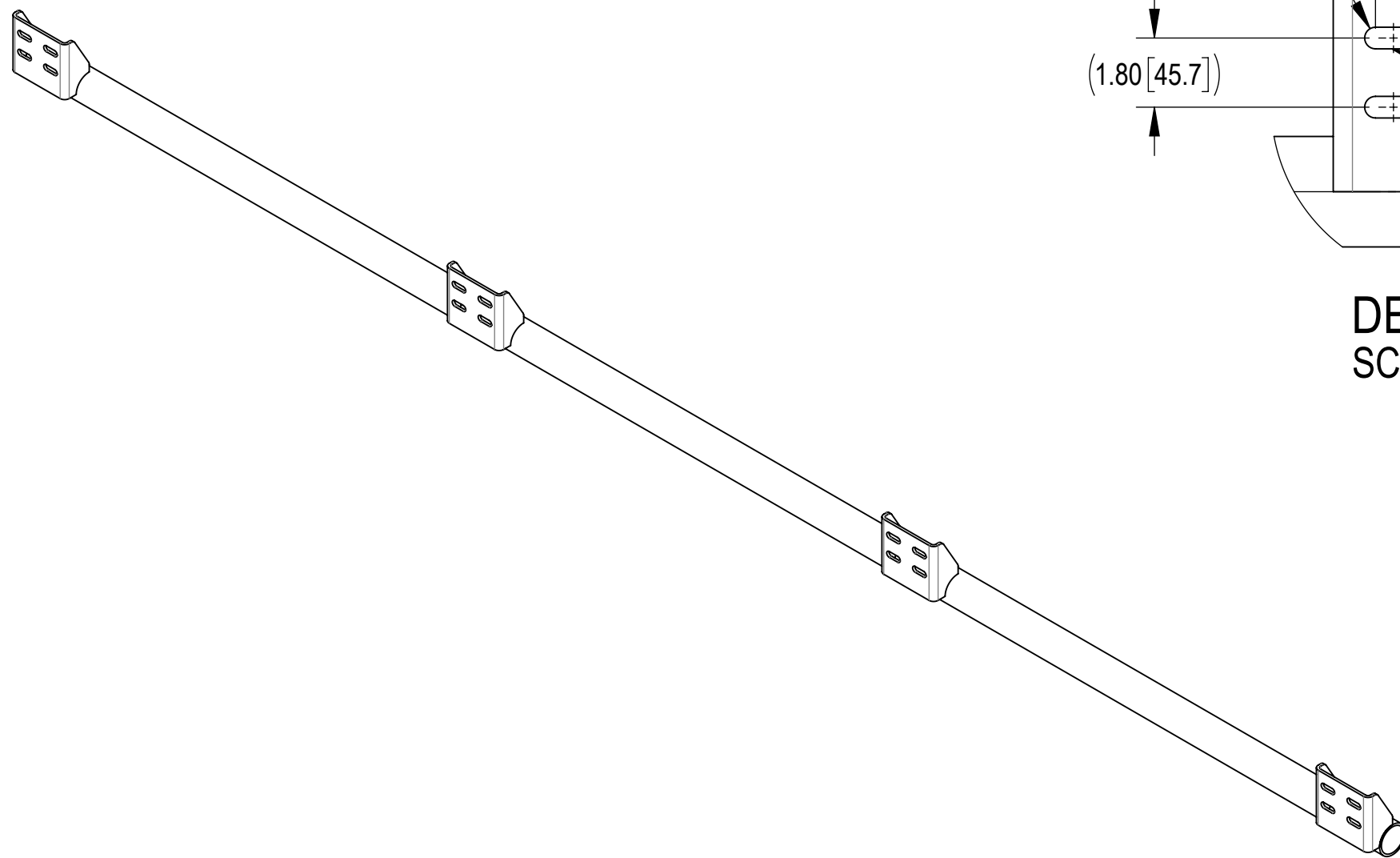


SECTION A-A
SCALE 1 : 4



FIT 1/2" DIAMETER U-BOLTS WITH CENTERLINE WIDTH FROM 2" TO 3-3/4". (1.9"-2.875" OD PIPES)

DETAIL B
SCALE 1 : 4



COMMSCOPE, INC. OF NORTH CAROLINA										
TOLERANCES					SAP MATERIAL MASTER					
1 PLACE .X[X] ± 0.2[6.3]			3 PLACE .XXX[X] ± 0.060[1.5]		SFG-FP-12.5-4-48					
2 PLACE .XX[X] ± 0.12[3.0]			ANGLES ± 2°							
FINISH GALV A123					MATERIAL A1018, A500					
UNLESS OTHERWISE SPECIFIED DIMENSIONS ARE IN INCHES INTERPRET PER ANSI Y 14.5M-1994	NAME	DATE	TITLE							
	CE JL1183	18OCT23	FACE-PIPE, 2.88" X 12.5', 4-POS, 48"							
	RW YMENG	08/28/2024								
	AD BA1025	08/28/2024								
	RE YMENG	08/28/2024								
ECN 40203400CMO										
SCALE	DOCUMENT NO.									
1:12	SFG-FP-12.5-4-48									
SIZE	Auth Group	INSL	MODEL			DRAWING				SHEET
C			VERSION	STATUS	REVISION	VERSION	STATUS	REVISION	1 OF 1	
			00	RE	A	02	RE	C		

DENSITY	85.25	lbs/in ³
MASS	85.25	lbs
VOLUME	299.82	in ³
SURFACE AREA	2917.87	in ²
HEIGHT	6.69"	
LENGTH	150.0"	
WIDTH	4.15"	