

SFG22-10-4-96



G22 High Capacity Sector Frame, 10.5 ft face, includes four 96 in pipes;
For patents, see www.cs-pat.com.

OBSOLETE

This product was discontinued on: **March 22, 2023**

Replaced By:

SFG22HD-12-4-96

G22HD High Capacity Sector Frame with 2 7/8in OD x 12.5ft face. Includes four 2 3/8in OD x 96in antenna pipes.

Product Classification

Product Type High capacity Tower sector frame

General Specifications

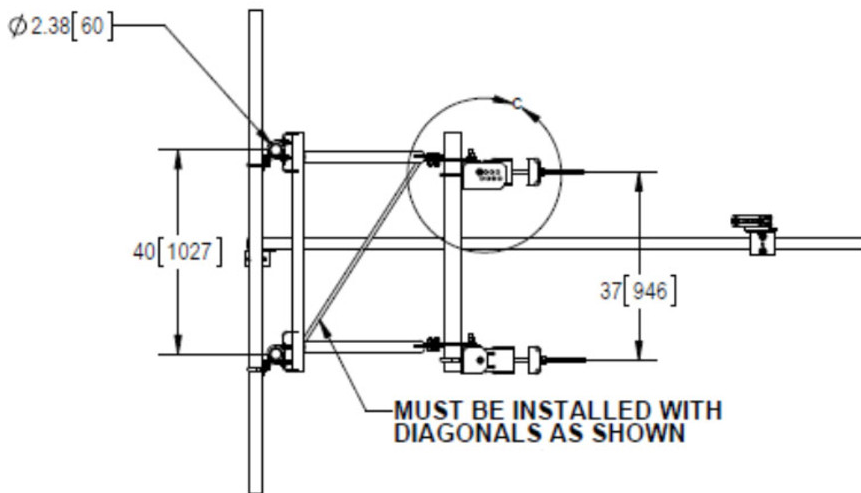
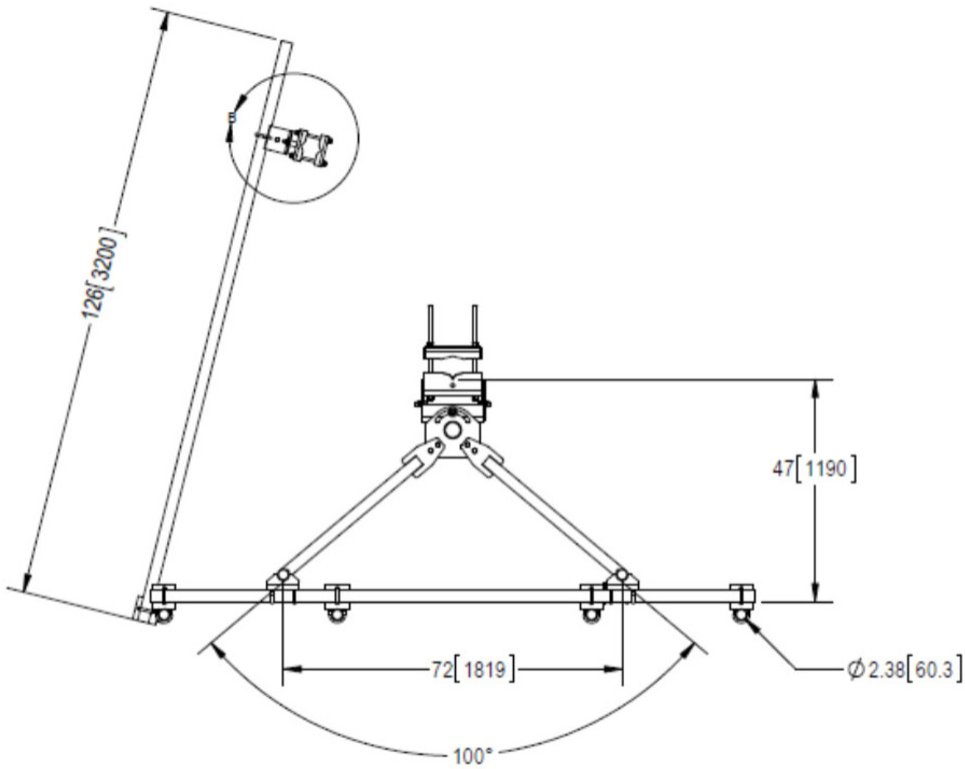
Application 4G LTE antenna/radio mount
Mounting Angle 60°, 203.2 mm (8 in) | Straight or tapered legs up to 203.2 mm (8 in) OD
Patent Number Patent pending
Pipe, quantity 4
Tower Taper Non-tapered | Tapered

Dimensions

Height 2,438.4 mm | 96 in
Face Width 3.2 m | 10.5 ft
Width 3,200.4 mm | 126 in
Pipe Length 2,438.4 mm | 96 in
Face Support Pipe Diameter 60.325 mm | 2.375 in
Mounting Diameter, maximum 218.44 mm | 8.6 in
Mounting Diameter, minimum 38.1 mm | 1.5 in
Pipe Outer Diameter 60.325 mm | 2.375 in
Stand-off Distance 1,193.8 mm | 47 in

SFG22-10-4-96

Outline Drawing



Material Specifications

Material Type

Hot dip galvanized steel

SFG22-10-4-96

Mechanical Specifications

| | |
|--|---|
| Load Capacity | With additional stiff arm at 300 ft AGL: 600 lb per pipe w/out ice / 2000 lb per pipe including ice |
| Wind Rating | For Specifications, please contact your local ANDREW representative |
| Wind Rating Test Method | TIA/EIA-222-G |
| Wind Rating with Additional Stiff Arm | 300 ft AGL: 120 mph (BWS) without ice /60 mph with ice |

Packaging and Weights

| | |
|---------------------------|--|
| Included | Frame Pipe mounts Plain end pipes (4) Stiff arm Tower attachment |
| Packaging quantity | 1 |
| Weight, net | 226.978 kg 500.4 lb |

Regulatory Compliance/Certifications

| Agency | Classification |
|---------------|--|
| CHINA-ROHS | Above maximum concentration value |
| ISO 9001:2015 | Designed, manufactured and/or distributed under this quality management system |
| ROHS | Compliant/Exempted |
| UK-ROHS | Compliant/Exempted |



* Footnotes

| | |
|--|--|
| Wind Rating | BWS—Base Wind Speed; FBC—Florida Building Code |
| Wind Rating with Additional Stiff Arm | BWS—Base Wind Speed; FBC—Florida Building Code |