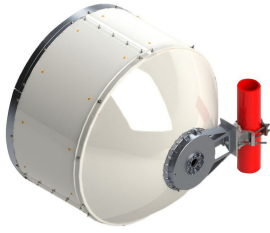


SHPX3-26-3WH/B



0.9m | 3ft Sentinel® High Performance Antenna, dual-polarized, 24.250 – 26.500 GHz, UBR220 Flange, White Antenna, Grey Radome

Product Classification

Product Type	Microwave antenna
Product Brand	Sentinel®

General Specifications

Antenna Type	SHPX - Sentinel® High Performance Antenna, dual-polarized
Polarization	Dual
Antenna Input	UBR220
Antenna Color	White
Reflector Construction	One-piece reflector
Radome Color	Gray
Radome Material	Composite Broadband
Flash Included	No
Side Struts, Included	0
Side Struts, Optional	1

Dimensions

Diameter, nominal	0.9 m 3 ft
--------------------------	--------------

Electrical Specifications

Operating Frequency Band	24.250 – 26.500 GHz
Gain, Low Band	45.6 dBi
Gain, Mid Band	45.8 dBi
Gain, Top Band	46.2 dBi
Boresite Cross Polarization Discrimination (XPD)	30 dB
Front-to-Back Ratio	77 dB
Beamwidth, Horizontal	0.8 °

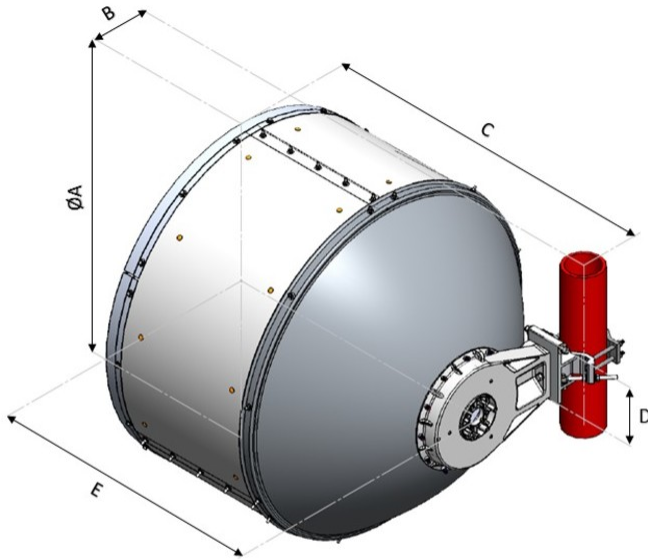
SHPX3-26-3WH/B

Return Loss	17.7 dB
VSWR	1.3
Radiation Pattern Envelope Reference (RPE)	7304B
Electrical Compliance	Brazil Anatel Class 2 Canada SRSP 324.25 ETSI 302 217 Class 4 US FCC Part 101A
Cross Polarization Discrimination (XPD) Electrical Compliance	ETSI EN 302217 XPD Category 3

Mechanical Specifications

Compatible Mounting Pipe Diameter	90 mm–120 mm 3.5 in–4.7 in
Fine Azimuth Adjustment Range	±15°
Fine Elevation Adjustment Range	±15°
Wind Speed, operational	180 km/h 111.847 mph
Wind Speed, survival	250 km/h 155.343 mph

Antenna Dimensions and Mounting Information



Dimensions in inches (mm)					
Antenna Size, ft (m)	A	B	C	D	E
3 (0.9)	38.9 (987)	16 (407)	33.7 (855)	7.2 (183)	34.9 (887)

Wind Forces at Wind Velocity Survival Rating

SHPX3-26-3WH/B

Axial Force (FA)	3353 N 753.785 lbf
Angle α for MT Max	30 °
Side Force (FS)	1680 N 377.679 lbf
Twisting Moment (MT)	1605 N-m 14,205.447 in lb
Zcg without Ice	310 mm 12.205 in
Zcg with 1/2 in (12 mm) Radial Ice	388 mm 15.276 in
Weight with 1/2 in (12 mm) Radial Ice	87 kg 191.802 lb

SHPX3-26-3WH/B

Wind Forces at Wind Velocity Survival Rating Image



Packaging and Weights

Height, packed	1220 mm 48.032 in
Width, packed	470 mm 18.504 in
Length, packed	1120 mm 44.095 in
Packaging Type	Standard pack
Volume	0.64 m ³ 22.601 ft ³
Weight, gross	40 kg 88.185 lb
Weight, net	24 kg 52.911 lb

Regulatory Compliance/Certifications

SHPX3-26-3WH/B

Agency	Classification
CHINA-ROHS	Below maximum concentration value
ISO 9001:2015	Designed, manufactured and/or distributed under this quality management system
REACH-SVHC	Compliant as per SVHC revision on www.andrew.com/ProductCompliance
ROHS	Compliant
UK-ROHS	Compliant



* Footnotes

Operating Frequency Band

Bands correspond with CCIR recommendations or common allocations used throughout the world. Other ranges can be accommodated on special order.

Gain, Mid Band

For a given frequency band, gain is primarily a function of antenna size. The gain of Andrew antennas is determined by either gain by comparison or by computer integration of the measured antenna patterns.

Boresite Cross Polarization Discrimination (XPD)

The difference between the peak of the co-polarized main beam and the maximum cross-polarized signal over an angle twice the 3 dB beamwidth of the co-polarized main beam.

Front-to-Back Ratio

Denotes highest radiation relative to the main beam, at $180^\circ \pm 40^\circ$, across the band. Production antennas do not exceed rated values by more than 2 dB unless stated otherwise.

Return Loss

The figure that indicates the proportion of radio waves incident upon the antenna that are rejected as a ratio of those that are accepted.

VSWR

Maximum; is the guaranteed Peak Voltage-Standing-Wave-Ratio within the operating band.

Radiation Pattern Envelope Reference (RPE)

Radiation patterns define an antenna's ability to discriminate against unwanted signals. Under still dry conditions, production antennas will not have any peak exceeding the current RPE by more than 3dB, maintaining an angular accuracy of $\pm 1^\circ$ throughout

Cross Polarization Discrimination (XPD) Electrical Compliance

The difference between the peak of the co-polarized main beam and the maximum cross-polarized signal over an angle twice the 3 dB beamwidth of the co-polarized main beam.

Wind Speed, operational

For VHLP(X), SHP(X), HX and USX antennas, the wind speed where the maximum antenna deflection is 0.3 x the 3 dB beam width of the antenna. For other antennas, it is defined

SHPX3-26-3WH/B

as a deflection is equal to or less than 0.1 degrees.

Wind Speed, survival

The maximum wind speed the antenna, including mounts and radomes, where applicable, will withstand without permanent deformation. Realignment may be required. This wind speed is applicable to antenna with the specified amount of radial ice.

Axial Force (FA)

Maximum forces exerted on a supporting structure as a result of wind from the most critical direction for this parameter. The individual maximums specified may not occur simultaneously. All forces are referenced to the mounting pipe.

Side Force (FS)

Maximum side force exerted on the mounting pipe as a result of wind from the most critical direction for this parameter. The individual maximums specified may not occur simultaneously. All forces are referenced to the mounting pipe.

Twisting Moment (MT)

Maximum forces exerted on a supporting structure as a result of wind from the most critical direction for this parameter. The individual maximums specified may not occur simultaneously. All forces are referenced to the mounting pipe.

Packaging Type

Andrew standard packing is suitable for export. Antennas are shipped as standard in totally recyclable cardboard or wire-bound crates (dependent on product). For your convenience, Andrew offers heavy duty export packing options.