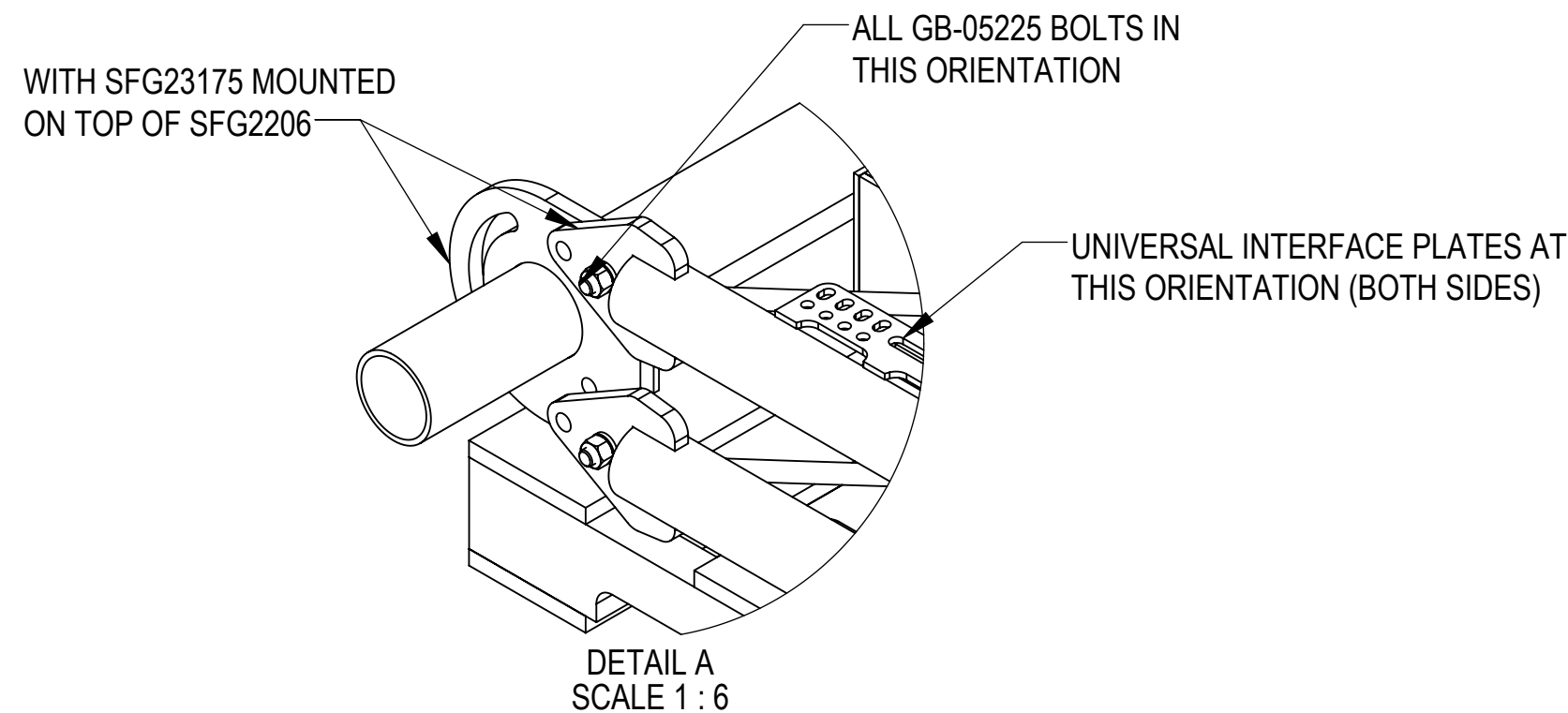
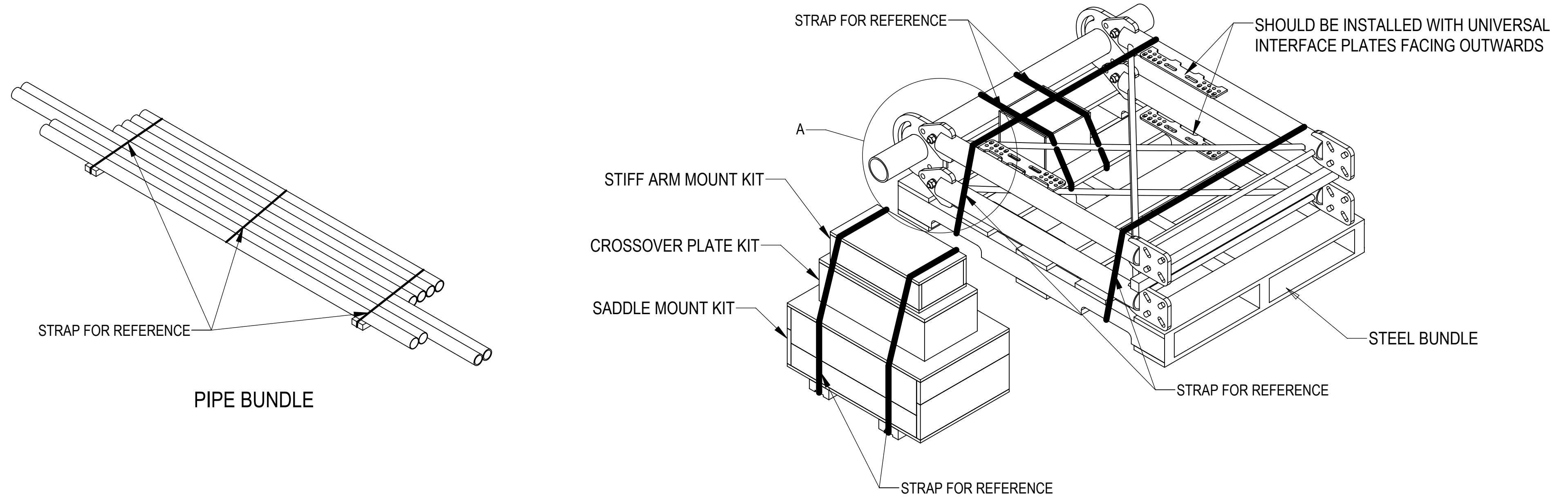


- 1.0 GENERAL NOTES
 - 1.1 ALL METRIC DIMENSIONS ARE IN BRACKETS [X.XX]
 - 1.2 FOR PATENT INFO: <https://www.cs-pat.com>
- 2.0 DESIGN NOTES
 - 2.1 ANY HAZARDS OR OBSTRUCTIONS TO THE CLIMBING FACILITY AND SAFETY CLIMB MUST BE IDENTIFIED PRIOR TO INSTALLING THE APPURTENANCE. ADDITIONAL PRODUCTS MAY BE REQUIRED TO MAINTAIN THE INTEGRITY OF THE SAFETY CLIMB. DURING INSTALLATION, TEMPORARY AND/OR PERMANENT PRECAUTIONARY MEASURES SHOULD BE TAKEN TO PRESERVE THE CLIMBING FACILITY AND/OR SAFETY CLIMB.
 - 2.2 UP TO 5.0° TAPER AVAILABLE ON MODELS THAT SUPPORT ADJUSTMENT
- 3.0 MANUFACTURING/SPECIAL REQUIREMENTS
 - 3.1 TIGHTEN ALL BOLTS SECURING FLAT PLATES BY THE TURN-OF-NUT METHOD. TIGHTEN ALL U-BOLTS USING TURN-OF-NUT METHOD WITH ATTENTION TO LEAVE EQUAL DISTANCE AND EQUAL FORCE ON EACH LEG OF THE U-BOLT.
- 4.0 TEST
- 5.0 PACKAGING
 - 5.1 PACKAGING SHALL MEET COMMSCOPE REQUIREMENTS PER DOCUMENT IS-PL-3005.
 - 5.2 PRINTED DOCUMENT TO BE PLACED INSIDE POLYBAG AND THEN IN SHIPPING CONTAINER.
 - 5.3 EXTRA HARDWARE MAY BE SUPPLIED, BAGGED AND SHIPPED.

REVISIONS			
REV.	DESCRIPTION	DATE	APPROVED
D	UPDATED NOTES; ADDED SPINE LENGTH; REPLACED SM-U2080HDG22 WITH SM-U2080HDG23; REMOVED LABEL SFG2350	YX1027 28DEC22	BA1025 40162116CMO
E	SHEET2: ADDED EPA DATAS; ADDED LABEL SFG2350; ADDED SFG2397-00; ITEM 6: SFG2386 QTY 1 WAS 2 EA; ITEM 10: GUB-4355 QTY 3 WAS 4 EA	JL1183 26SEP23	YW1045 40179940CMO
F	SHEET1: UPDATED PACKAGE VIEW; SHEET2: ADDED SFG2350 TO TABLE 1; SHEET5: ADDED LABEL INSTALLATION NOTICE	JL1183 17NOV23	YW1045 40183325CMO
G	UPDATED VIEWS FOR SFG23175 (ITEM 1) CHANGES. SHEET2: ADDED SFG23HDX-10-BNH & SFG23HDX-14-BNH. SHEET6: ADDED V-ARM DETAIL VIEW	JL1183 04JUL24	XK1001 40199603CMO
H	UPDATED EPA TABLE	YMENG 12DEC24	CB1094 40210882CMO



DENSITY	lbs/in ³
MASS	lbs
VOLUME	in ³
SURFACE AREA	in ²
HEIGHT	
LENGTH	
WIDTH	

COMMSCOPE, INC. OF NORTH CAROLINA									
TOLERANCES					SAP MATERIAL MASTER				
0 PLACE .X[X] ± 0.2[6.3]		2 PLACE .XX[X] ± 0.06[1.5]			SEE TABLE				
1 PLACE .X[X] ± 0.12[3.0]		ANGLES ± 2°							
FINISH					MATERIAL				
SECTOR FRAME, SFG23HDX SERIES									
SCALE		DOCUMENT NO.							
1:18		SFG23HDX SERIES							
SIZE		Auth Group		INSL		MODEL		DRAWING	
C		[Symbol]		[Symbol]		VERSION		STATUS	
06		RE		B		05		RE	
1		H		H		1		1	

PART NUMBERS, WEIGHTS, & EPA

TABLE 1: CONFIGURATIONS

PART NUMBER	DESCRIPTION	WEIGHT (LBS)	MOUNT EPA W/NO ICE (FT²)			MOUNT EPA W/ 1/2" ICE (FT²)			ANTENNA PIPES	INCLUDED PARTS																																		
			FRONT (EPA)N	SIDE (EPA)T	3-SECTORS (EPA)A	FRONT (EPA)N	SIDE (EPA)T	3-SECTORS (EPA)A		SM-U2080HDG23	SFG22HDX-HK01	XP-2525-4	XP-2525-6	XP-2025-8	SFG23HDX-SB01	PB02TEB03TEK0210P	PB02TEB0310K0210P	PB02TEB0308K0210P	PB02TEB04TEK0210P	PB02TEB0410K0210P	PB02TEB0408K0210P	PB02TEB0210P	PB02TEB03TEK0212P	PB02TEB0310K0212P	PB02TEB0308K0212P	PB02TEB04TEK0212P	PB02TEB0410K0212P	PB02TEB0408K0212P	PB02TEB0212P	PB02TEB0310K0214P	PB02TEB0308K0214P	PB02TEB04TEK0214P	PB02TEB0410K0214P	PB02TEB0408K0214P	PB02TEB05TEK0214P	PB02TEB0510K0214P	PB02TEB0508K0214P	PB02TEB0214P	SFG2350					
SFG23HDX-10-3-120	SECTOR FRAME 10' FACE, (3) 120" AP	795.7	8.31	7.31	18.75	11.82	10.92	27.29	3	1	1	-	-	-	1	1	-	-	-	-	-	-	-	-	-	-	-	-	-	-	-	-	-	-	-	-	-	-	-	-	-	1		
SFG23HDX-10-3-126	SECTOR FRAME 10' FACE, (3) 126" AP	806.5							3	1	1	-	1	-	1	-	1	-	-	-	-	-	-	-	-	-	-	-	-	-	-	-	-	-	-	-	-	-	-	-	-	-	-	1
SFG23HDX-10-3-96	SECTOR FRAME 10' FACE, (3) 96" AP	761.3							3	1	1	-	1	-	1	-	-	1	-	-	-	-	-	-	-	-	-	-	-	-	-	-	-	-	-	-	-	-	-	-	-	-	-	1
SFG23HDX-10-4-120	SECTOR FRAME 10' FACE, (4) 120" AP	869.9							4	1	1	-	1	1	-	-	-	1	-	-	-	-	-	-	-	-	-	-	-	-	-	-	-	-	-	-	-	-	-	-	-	-	-	1
SFG23HDX-10-4-126	SECTOR FRAME 10' FACE, (4) 126" AP	884.3							4	1	1	-	1	1	-	-	-	-	1	-	-	-	-	-	-	-	-	-	-	-	-	-	-	-	-	-	-	-	-	-	-	-	-	1
SFG23HDX-10-4-96	SECTOR FRAME 10' FACE, (4) 96" AP	824.0							4	1	1	-	1	1	-	-	-	-	-	1	-	-	-	-	-	-	-	-	-	-	-	-	-	-	-	-	-	-	-	-	-	-	-	1
SFG23HDX-10-B	SECTOR FRAME 10' FACE, BASE KIT	573.2							-	1	1	-	-	-	1	-	-	-	-	-	-	-	-	-	-	-	-	-	-	-	-	-	-	-	-	-	-	-	-	-	-	-	-	1
SFG23HDX-10-BNH	SECTOR FRAME 10'6" FACE, NO AP	573.2							-	1	1	-	-	-	1	-	-	-	-	-	-	-	-	-	-	-	-	-	-	-	-	-	-	-	-	-	-	-	-	-	-	-	-	1
SFG23HDX-12-3-120	SECTOR FRAME 12' FACE, (3) 120" AP	826.5	9.38	7.31	20.02	13.24	10.92	28.99	3	1	1	-	1	-	1	-	-	-	-	-	-	-	-	-	1	-	-	-	-	-	-	-	-	-	-	-	-	-	-	-	-	1		
SFG23HDX-12-3-126	SECTOR FRAME 12' FACE, (3) 126" AP	837.3							3	1	1	-	1	-	1	-	-	-	-	-	-	-	-	-	-	-	-	-	-	1	-	-	-	-	-	-	-	-	-	-	-	-	-	1
SFG23HDX-12-3-96	SECTOR FRAME 12' FACE, (3) 96" AP	792.0							3	1	1	-	1	-	1	-	-	-	-	-	-	-	-	-	-	-	-	-	-	1	-	-	-	-	-	-	-	-	-	-	-	-	-	1
SFG23HDX-12-4-120	SECTOR FRAME 12' FACE, (4) 120" AP	900.7							4	1	1	-	1	1	-	-	-	-	-	-	-	-	-	-	-	-	-	-	-	-	1	-	-	-	-	-	-	-	-	-	-	-	-	1
SFG23HDX-12-4-126	SECTOR FRAME 12' FACE, (4) 126" AP	915.1							4	1	1	-	1	1	-	-	-	-	-	-	-	-	-	-	-	-	-	-	-	-	-	1	-	-	-	-	-	-	-	-	-	-	-	1
SFG23HDX-12-4-96	SECTOR FRAME 12' FACE, (4) 96" AP	854.7							4	1	1	-	1	1	-	-	-	-	-	-	-	-	-	-	-	-	-	-	-	-	-	-	1	-	-	-	-	-	-	-	-	-	-	1
SFG23HDX-12-B	SECTOR FRAME 12' FACE, BASE KIT	603.9							-	1	1	-	-	-	1	-	-	-	-	-	-	-	-	-	-	-	-	-	-	-	-	-	1	-	-	-	-	-	-	-	-	-	-	1
SFG23HDX-14-3-126	SECTOR FRAME 14' FACE, (3) 126" AP	868.0							10.44	7.31	21.30	14.65	10.92	30.68	3	1	1	-	1	-	1	-	-	-	-	-	-	-	-	-	-	-	-	-	1	-	-	-	-	-	-	-	-	-
SFG23HDX-14-3-96	SECTOR FRAME 14' FACE, (3) 96" AP	822.8	3	1	1	-	1	-							1	-	-	-	-	-	-	-	-	-	-	-	-	-	-	-	-	-	-	1	-	-	-	-	-	-	-	-	1	
SFG23HDX-14-4-120	SECTOR FRAME 14' FACE, (4) 120" AP	931.5	4	1	1	-	1	1							-	-	-	-	-	-	-	-	-	-	-	-	-	-	-	-	-	-	-	1	-	-	-	-	-	-	-	-	1	
SFG23HDX-14-4-126	SECTOR FRAME 14' FACE, (4) 126" AP	945.8	4	1	1	-	1	1							-	-	-	-	-	-	-	-	-	-	-	-	-	-	-	-	-	-	-	-	1	-	-	-	-	-	-	-	1	
SFG23HDX-14-4-96	SECTOR FRAME 14' FACE, (4) 96" AP	885.5	4	1	1	-	1	1							-	-	-	-	-	-	-	-	-	-	-	-	-	-	-	-	-	-	-	-	1	-	-	-	-	-	-	-	1	
SFG23HDX-14-5-120	SECTOR FRAME 14' FACE, (5) 120" AP	1005.6	5	1	1	1	1	-							1	-	-	-	-	-	-	-	-	-	-	-	-	-	-	-	-	-	-	-	-	-	-	-	-	-	-	-	1	
SFG23HDX-14-5-126	SECTOR FRAME 14' FACE, (5) 126" AP	1023.6	5	1	1	1	1	-							1	-	-	-	-	-	-	-	-	-	-	-	-	-	-	-	-	-	-	-	-	-	-	-	-	-	-	-	1	
SFG23HDX-14-5-96	SECTOR FRAME 14' FACE, (5) 96" AP	948.2	5	1	1	1	1	-							1	-	-	-	-	-	-	-	-	-	-	-	-	-	-	-	-	-	-	-	-	-	-	-	-	-	-	-	1	
SFG23HDX-14-B	SECTOR FRAME 14' FACE, BASE KIT	634.7	-	1	1	-	-	-							1	-	-	-	-	-	-	-	-	-	-	-	-	-	-	-	-	-	-	-	-	-	-	-	-	-	-	-	1	
SFG23HDX-14-BNH	SECTOR FRAME 14'6" FACE, NO AP	634.7	-	1	1	-	-	-							1	-	-	-	-	-	-	-	-	-	-	-	-	-	-	-	-	-	-	-	-	-	-	-	-	-	-	-	1	

- NOTES:
 1. NO MOUNT PIPES CONSIDERED. IF DESIRED, ADD ANTENNA PIPE PER TABLE 2
 2. MOUNT CONNECTION MEMBERS TO TOWER CONSIDERED.
 3. 3-SECTOR EPA INCLUDES KA FACTORS.

TABLE 2: EPA OF EACH ANTENNA PIPE

ANTENNA PIPE	MOUNT EPA W/NO ICE (FT²)			MOUNT EPA W/ 1/2" ICE (FT²)		
	FRONT (EPA)N	SIDE (EPA)T	3-SECTORS (EPA)A	FRONT (EPA)N	SIDE (EPA)T	3-SECTORS (EPA)A
2-7/8" X 96"	2.07	2.07	1.84	2.79	2.79	2.48
2-7/8" X 120"	2.59	2.59	2.30	3.49	3.49	3.10
2-7/8" X 126"	2.72	2.72	2.42	3.67	3.67	3.26

- NOTE:
 1. ANTENNA PIPES ARE CONSIDERED SEPARATELY.
 2. KA FACTOR OF 3-SECTOR EPA INCLUDED.
 3. COMBINE THE ASSOCIATED EPA VALUES IN THE TABLES ABOVE TO DETERMINE THE EPA OF A MOUNT MODEL WITH A LISTED MOUNT PIPE CONFIGURATION. FOR EXAMPLE: SFG23HDX-10-3-120 HAS A FRONT EPA OF 8.31 FT2 WITH NO ICE PLUS 3 ANTENNA PIPES WITH A FRONT EPA OF 3X2.59=7.77 FT2 WITH NO ICE. SO, THE TOTAL FRONT EPA SHOULD BE 16.08 FT2; (SIDE EPA SAME METHOD AS FRONT EPA). WHEN 3 SECTOR FRAMES ARE MOUNTED AT THE SAME RELATIVE ELEVATION IN AN ARRANGEMENT, IT HAS A 3-SECTOR EPA OF 18.75 FT2 WITH NO ICE PLUS 3 ANTENNA PIPES WITH A 3-SECTOR EPA OF (3X2.30)X3=20.70 FT2 WITH NO ICE. SO, THE TOTAL 3-SECTOR EPA SHOULD BE 39.45 FT2.

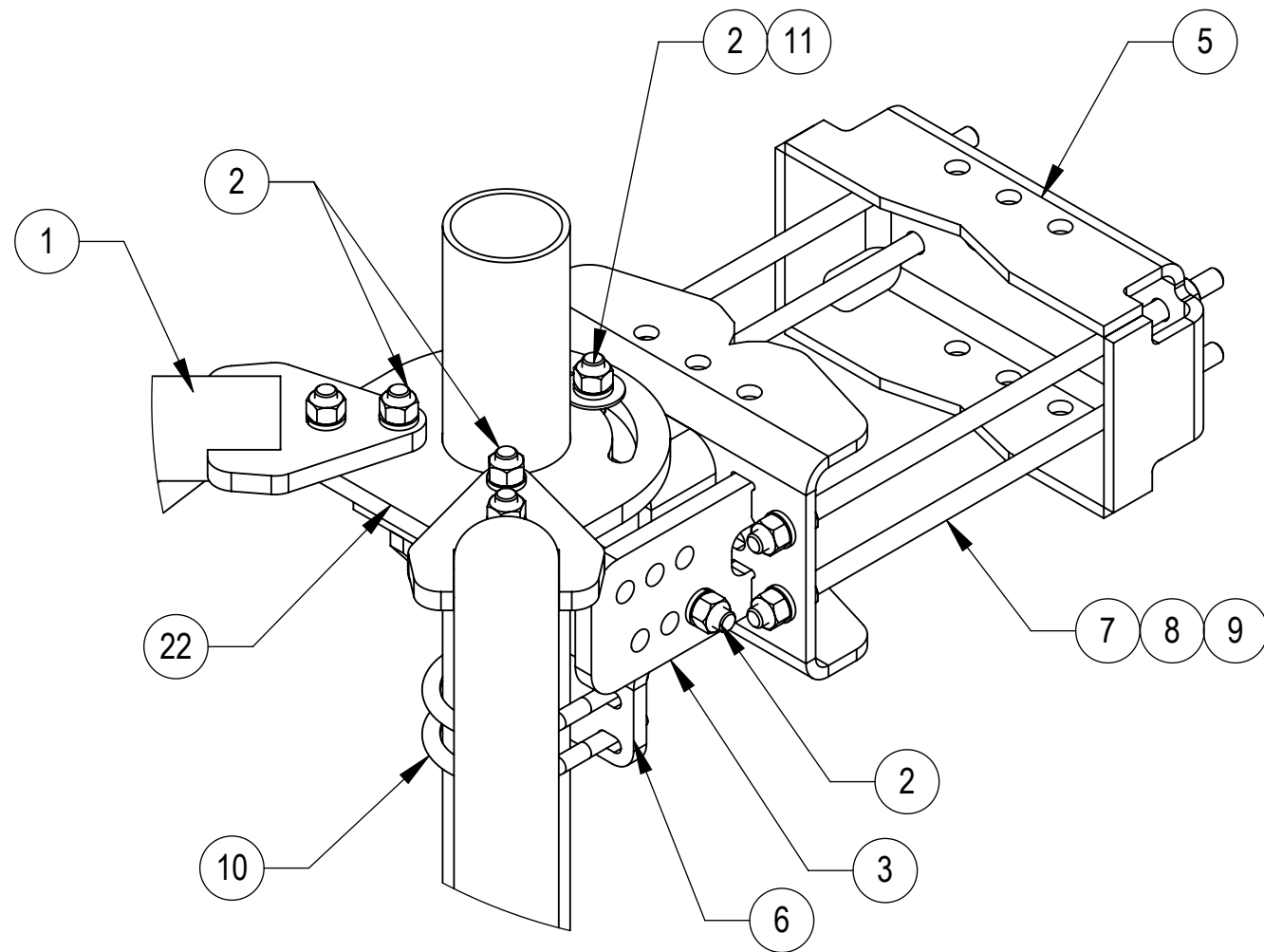
COMMSCOPE, INC. OF NORTH CAROLINA				
TITLE SECTOR FRAME, SFG23HDX SERIES				
SIZE C	SCALE 1:16	DOCUMENT NO. SFG23HDX SERIES		
		DRAWING		SHEET 2 OF 12
		VERSION 05	STATUS RE	

4

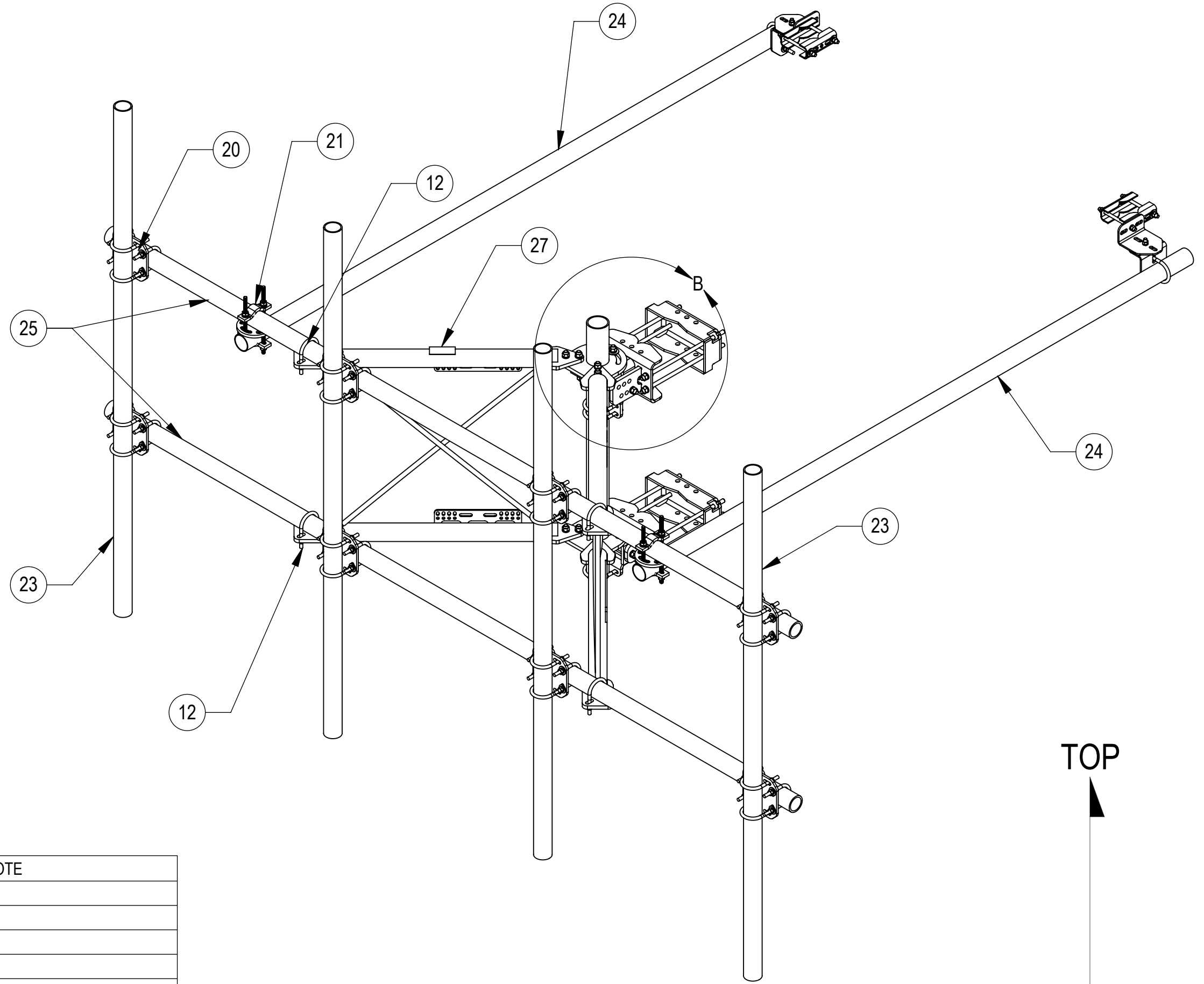
3

2

1



DETAIL B
SCALE 1 : 5

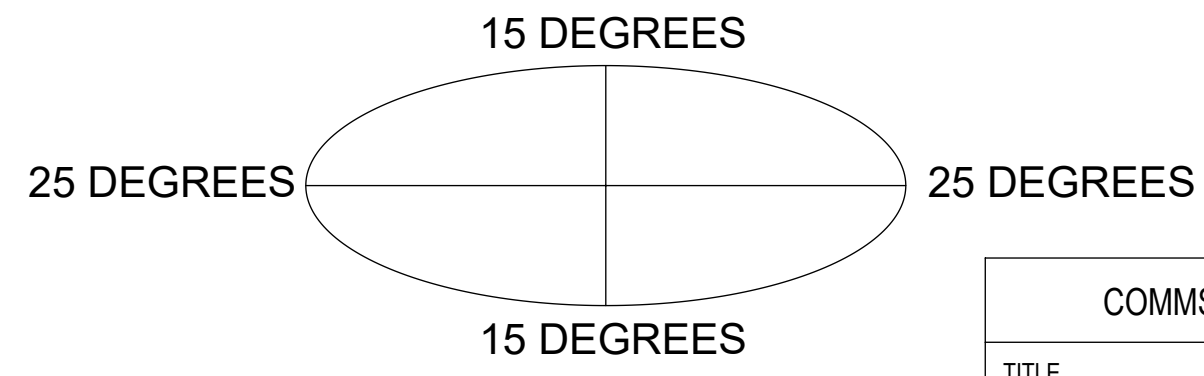


SFG23HDX-12-4-96 SHOWN FOR REFERENCE
(NOT ALL CONFIGURATIONS INCLUDE ALL ITEMS SEE NOTES IN TABLE)

COMPONENT PART NUMBERS PROVIDED FOR ASSEMBLY PURPOSES;
INDIVIDUAL COMPONENTS MAY BE SHIPPED AS PARTS WITHIN AN INCLUDED KIT.

ITEM	PART NO.	DESCRIPTION	QTY.	WEIGHT	NOTE
1	SFG23175	ARM STANDOFF SFG23	2	66.61 LBS	
2	GB-05225	5/8" X 2-1/4" GALV BOLT KIT	14	0.28 LBS	
3	SFG2380	WELDMENT, HD, TOP TAPER BRACKET	1	22.78 LBS	
4	SFG2381	WELDMENT, HD, LOWER TOWER LEG BRACKET	1	17.42 LBS	
5	SFG2289	G2 RRU BACK CLAMP, HD	2	18.65 LBS	
6	SFG2386	WELDMENT, SFG2 AZIMUTH BRACKET	1	10.07 LBS	
7	MT-382-18	5/8" X 18" THREADED ROD	8	1.43 LBS	
8	GWL-05	5/8" GALV LOCK WASHER	16	0.03 LBS	
9	GN-05	5/8" GALV HEX NUT	24	0.08 LBS	
10	GUB-4355	1/2" X 3-5/8" X 5" GALV U-BOLT	3	0.71 LBS	
11	GWF-05	5/8" GALV FLAT WASHER, 1.70D	2	0.06 LBS	
12	GUB-4352	1/2" X 3" X 5-1/4" GALV U-BOLT	6	0.71 LBS	
13	SAB01	FORMED CLAMP	4	1.35 LBS	
14	MT-379-8	1/2" X 8" GALV THREADED ROD	4	0.45 LBS	
15	XAU01	ANGLE, CROSSOVER, 1.9-3.5" X 1.9-3.5" OD	4	2.98 LBS	
16	GB-04145	1/2" X 1-1/2" GALV BOLT KIT	2	0.13 LBS	
17	GWF-04	1/2" GALV FLAT WASHER	8	0.04 LBS	
18	GWL-04	1/2" GALV LOCK WASHER	10	0.01 LBS	
19	GN-04	1/2" GALV HEX NUT	10	0.04 LBS	
20	XP-2525	CROSSOVER PLATE KIT, 2-7/8 OD X 2-7/8 OD	8	8.37 LBS	QTY SEE INDIVIDUAL DRAWING
21	XP-R	CROSSOVER PLATE, ROUND, UP TO 3.5" OD	2	6.20 LBS	
22	SFG2206	WELDMENT, ARM MOUNT	1	51.60 LBS	
23	MT54696	PIPE, 2.875"OD X 96"	4	45.96 LBS	PART NO. AND QTY SEE INDIVIDUAL DRAWING
24	MT546120120	PIPE, 2.875"OD X 120"	2	35.44 LBS	PART NO. SEE INDIVIDUAL DRAWING
25	MT546150276	PIPE, 2.875"OD X 150"	2	96.11 LBS	PART NO. SEE INDIVIDUAL DRAWING
26	SFG2397-00	WELDMENT, G23 AZIMUTH BRACKET	1	7.94 LBS	
27	SFG2350	LABEL, SFG23HDX	1	0.04 LBS	

ALLOWABLE TIEBACK ANGLE
± 15 DEGREES VERTICAL
± 25 DEGREES HORIZONTAL



TOP
↓
BOTTOM

COMMSCOPE, INC. OF NORTH CAROLINA				
TITLE SECTOR FRAME, SFG23HDX SERIES				
SIZE C	SCALE 1:16	DOCUMENT NO. SFG23HDX SERIES		
DRAWING		VERSION	STATUS	REVISION
		05	RE	H
				SHEET 3 OF 12

© 2023 CommScope, Inc. Confidential

4

3

2

1

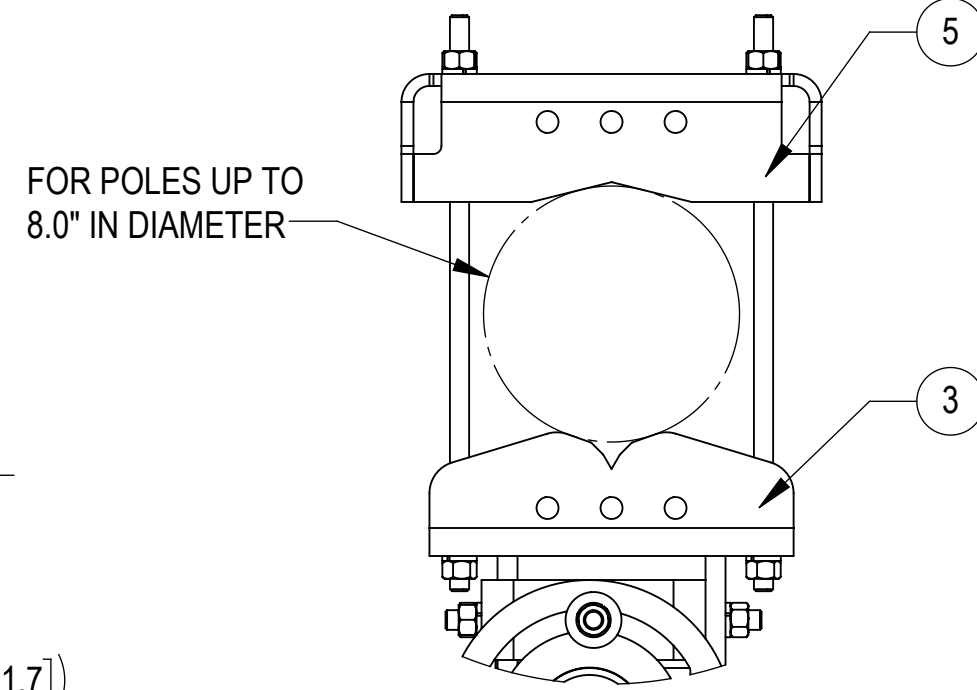
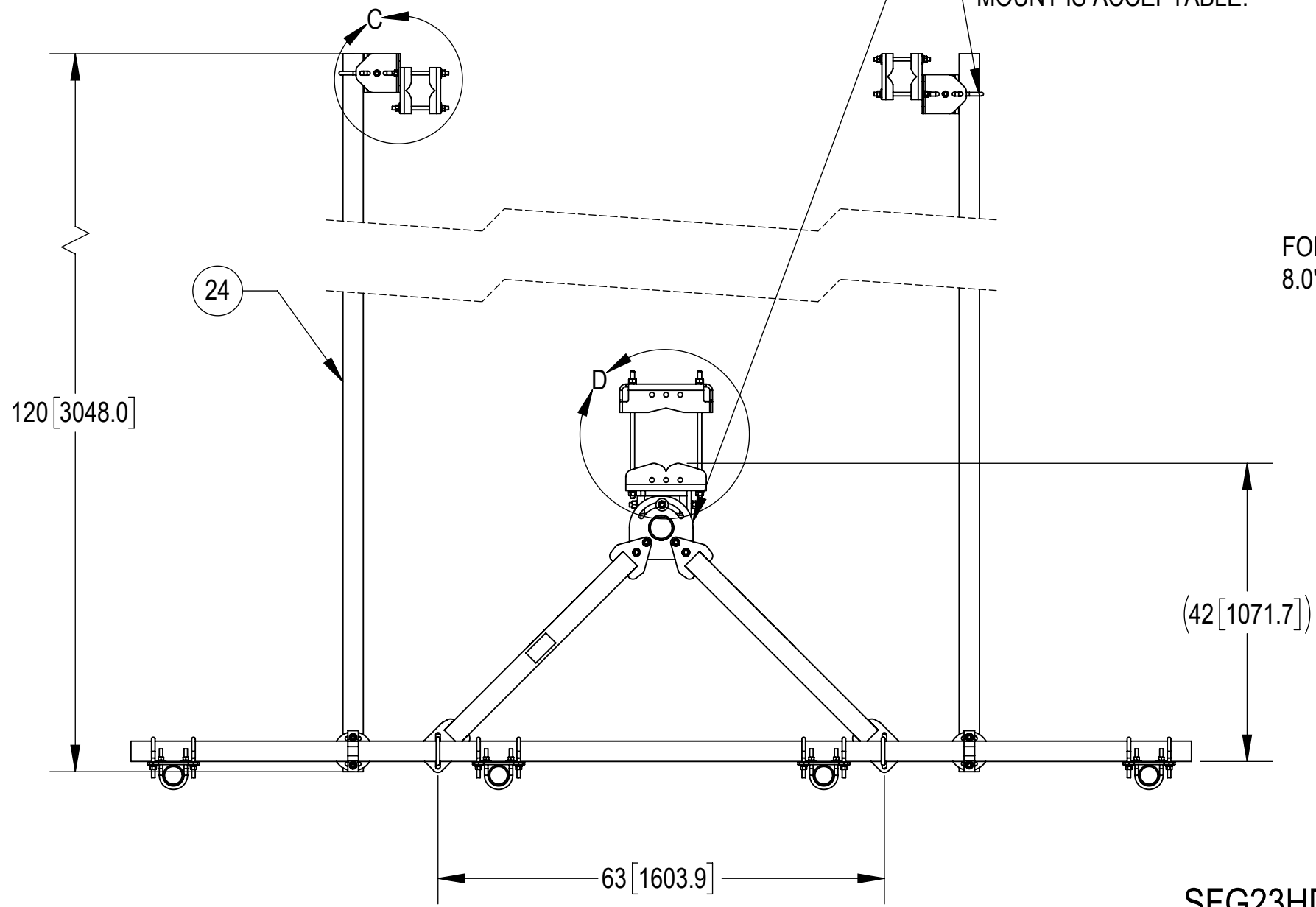
4

3

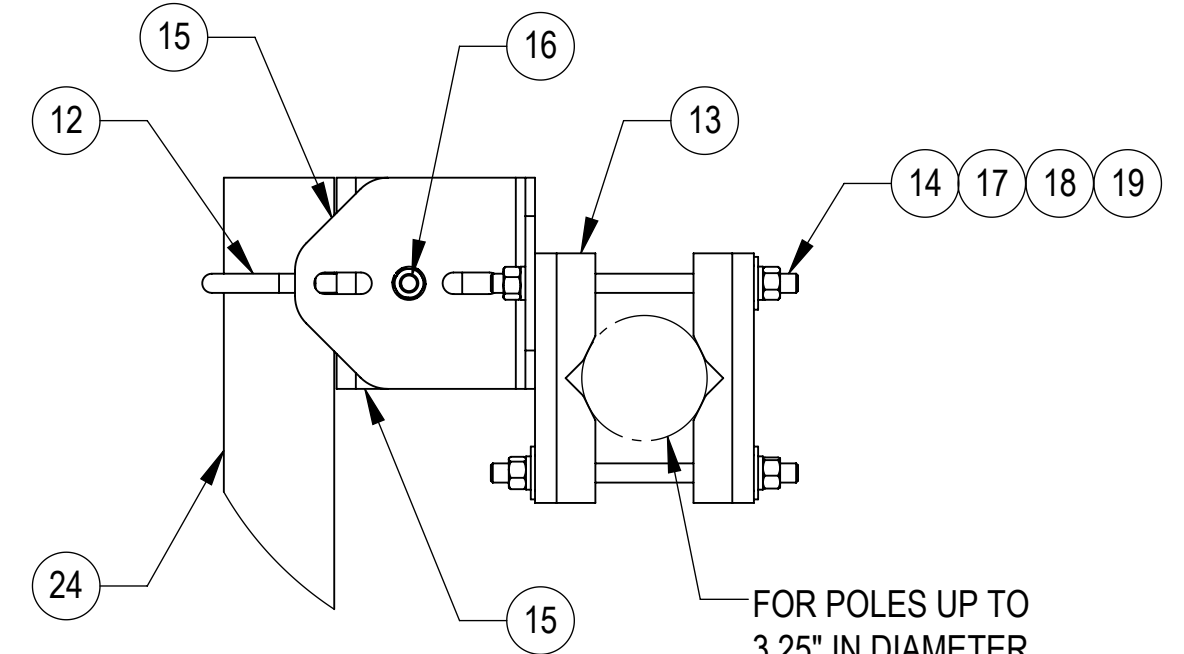
2

1

TIEBACK MUST BE CONNECTED TO A RIGID MEMBER THAT PROVIDES ADEQUATE SUPPORT WITHIN THE LIMITS NOTED IN THE TIEBACK ANGLE RANGE DETAIL. UNLESS APPROVED BY ENGINEER OF RECORD. SPINE STEM OF NEIGHBORING MOUNT IS ACCEPTABLE.



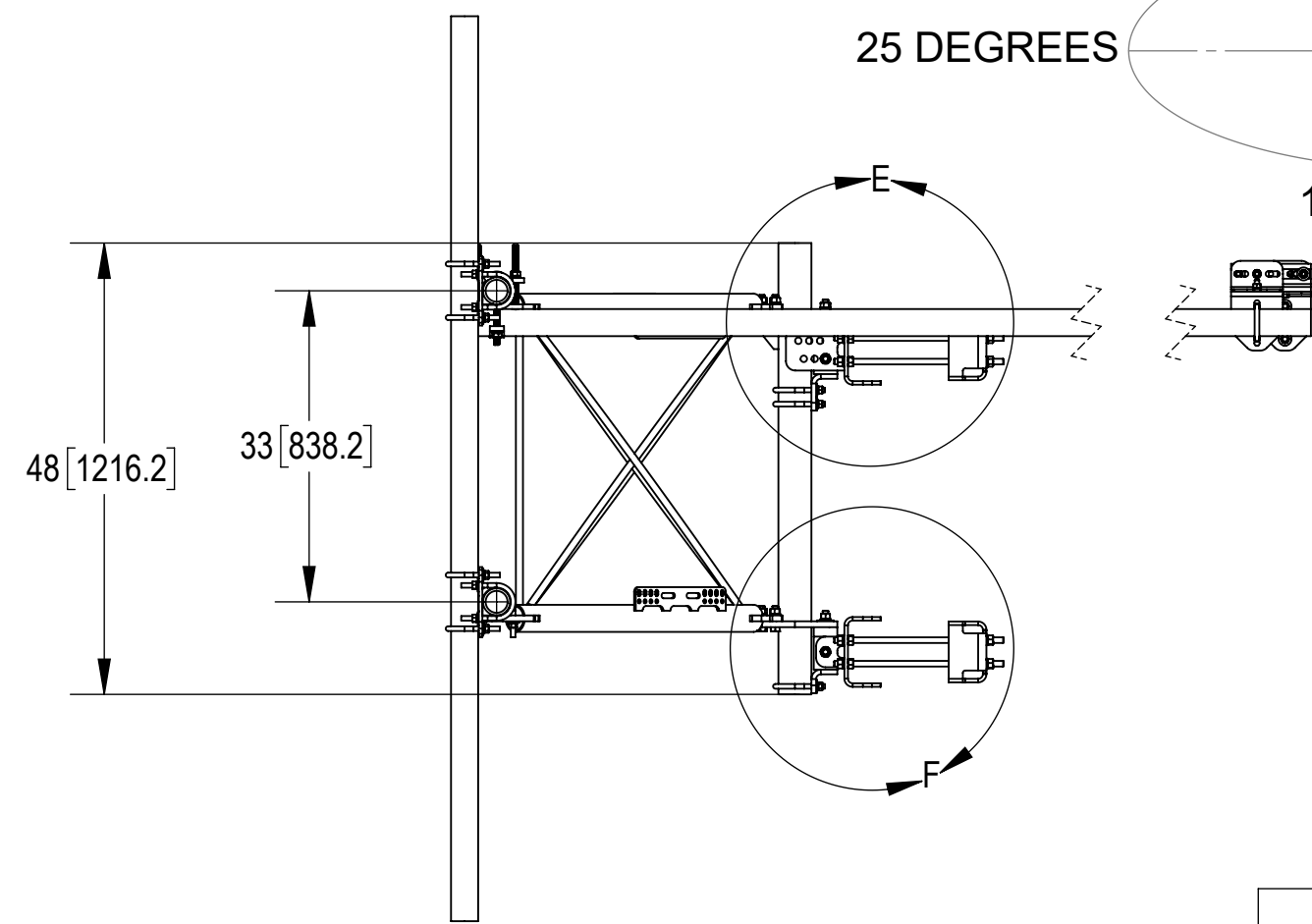
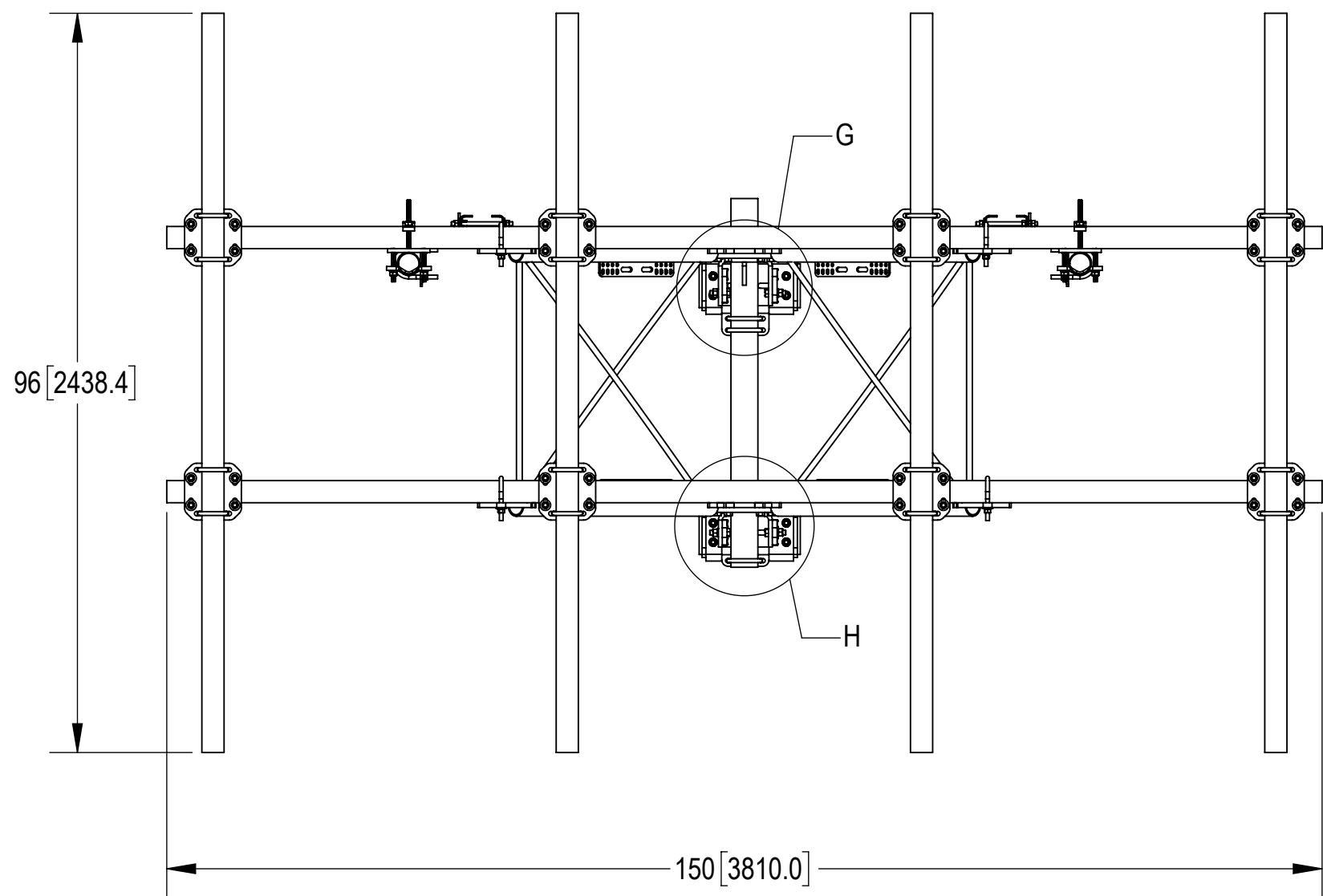
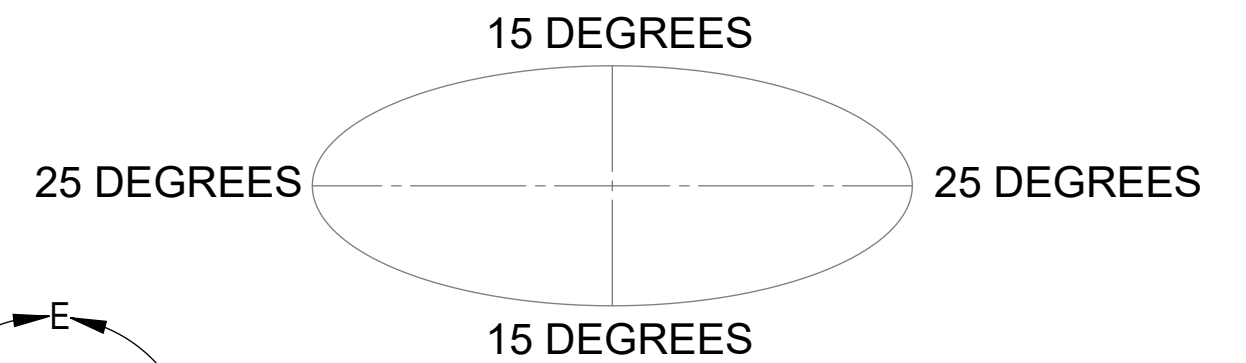
DETAIL D
SCALE 1:6



DETAIL C
SCALE 1:5

SFG23HDX-12-4-96 SHOWN FOR REFERENCE
(NOT ALL CONFIGURATIONS INCLUDE ALL ITEMS
SEE NOTES IN TABLE ON PAGE 3)

ALLOWABLE TIEBACK ANGLE
±15 DEGREES VERTICAL
±25 DEGREES HORIZONTAL



TOP
↓
BOTTOM

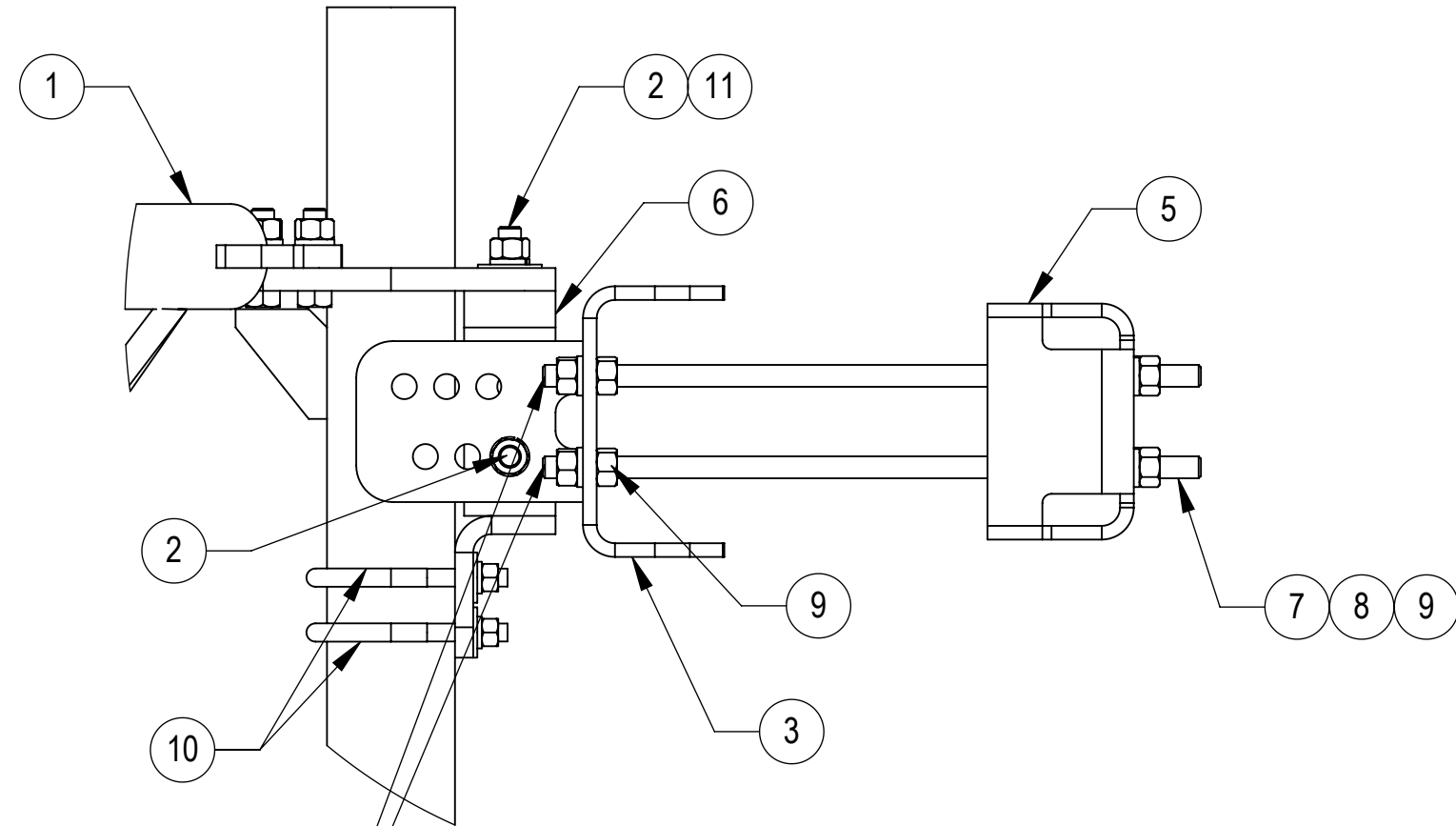
COMMSCOPE, INC. OF NORTH CAROLINA				
TITLE SECTOR FRAME, SFG23HDX SERIES				
SIZE C	SCALE 1:16	DOCUMENT NO. SFG23HDX SERIES		
		DRAWING		SHEET
		VERSION 05	STATUS RE	REVISION H
				4 OF 12

4

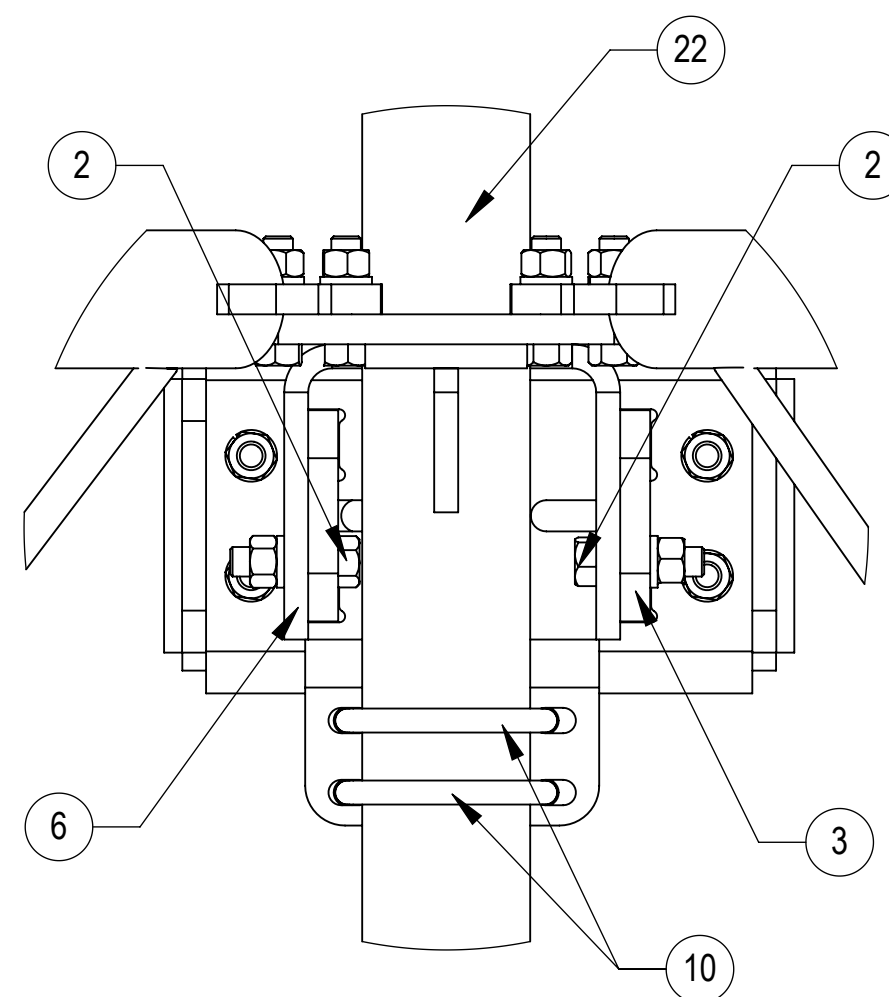
3

2

1

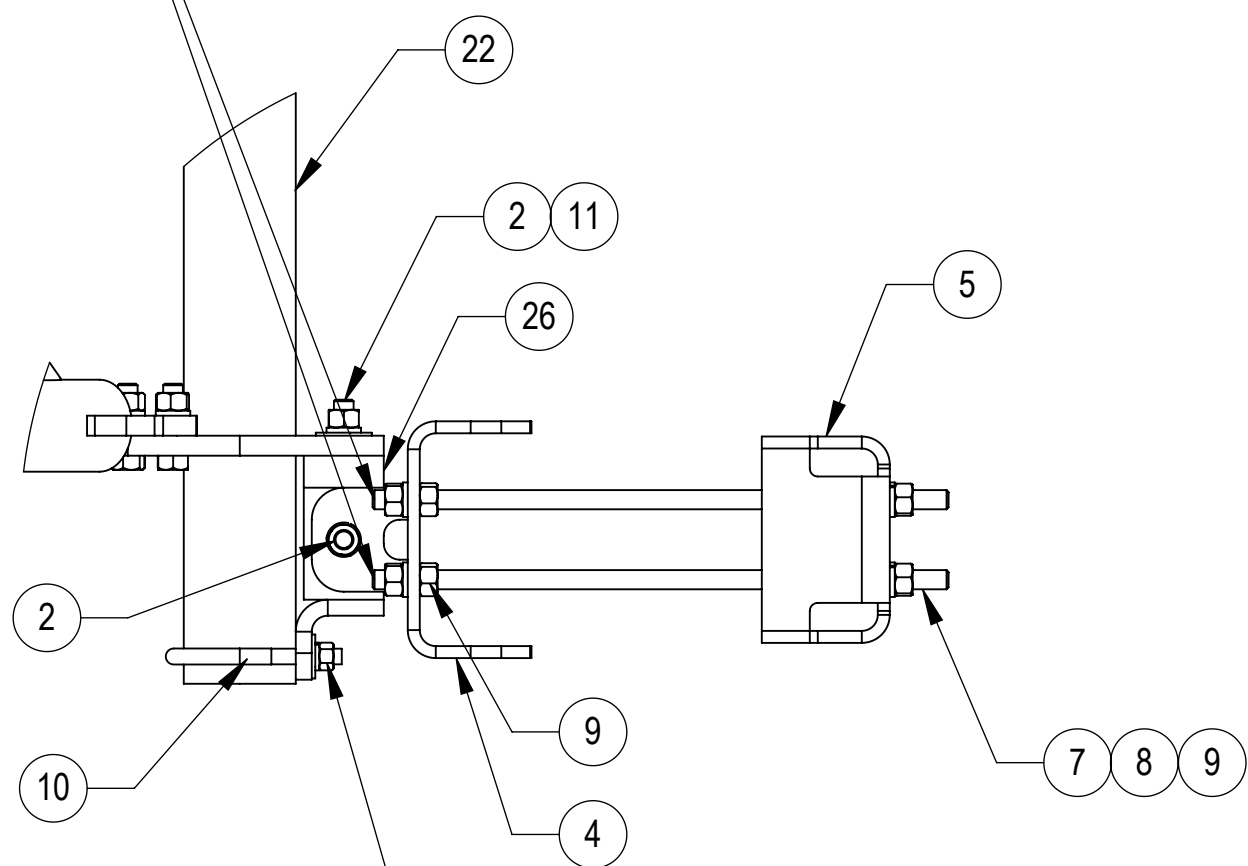


DETAIL E
SCALE 1 : 5



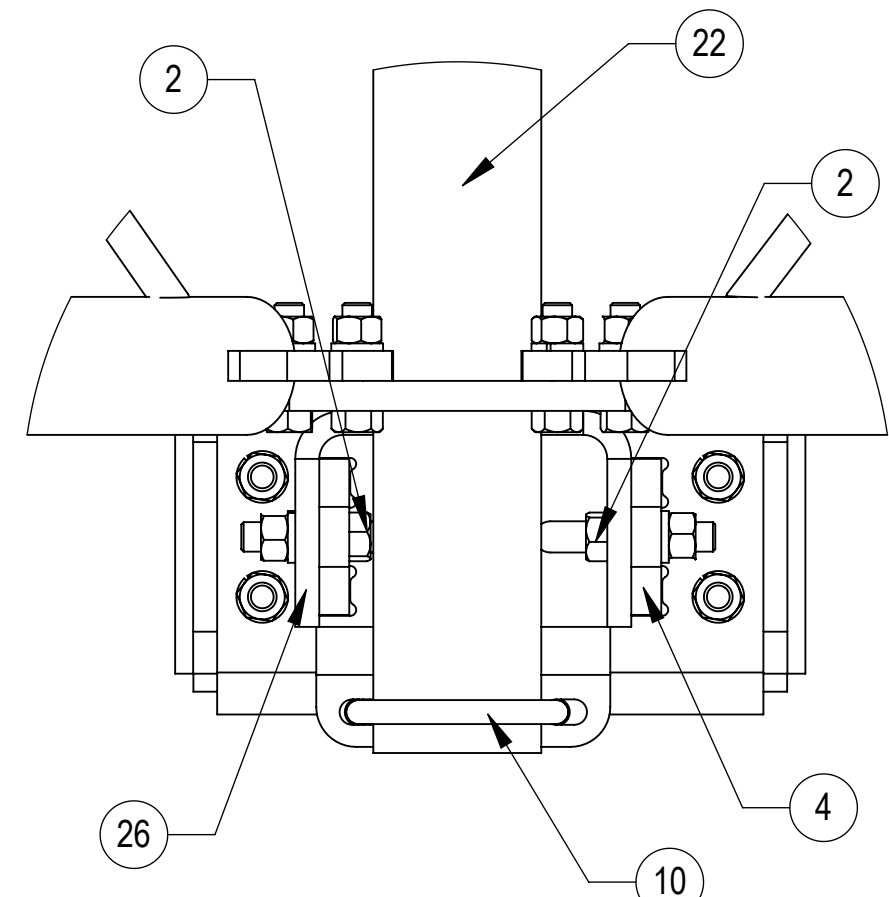
DETAIL G
SCALE 1 : 4

THE THREADED ROD CAN ONLY EXPOSE 4 TO 7 THREADS ON ONE SIDE OF THE BRACKET, WHICH IS TO PREVENT INTERFERENCE WITH THE SIDE BOLTS



DETAIL F
SCALE 1 : 6

DO NOT OVER TIGHTEN, END OF POLE CAN BE DAMAGED



DETAIL H
SCALE 1 : 4

COMMSCOPE, INC. OF NORTH CAROLINA				
TITLE SECTOR FRAME, SFG23HDX SERIES				
SIZE C	SCALE 1:16	DOCUMENT NO. SFG23HDX SERIES		
		DRAWING		SHEET
		VERSION	STATUS	REVISION
		05	RE	H
				5 OF 12

4

3

2

1

D

D

C

C

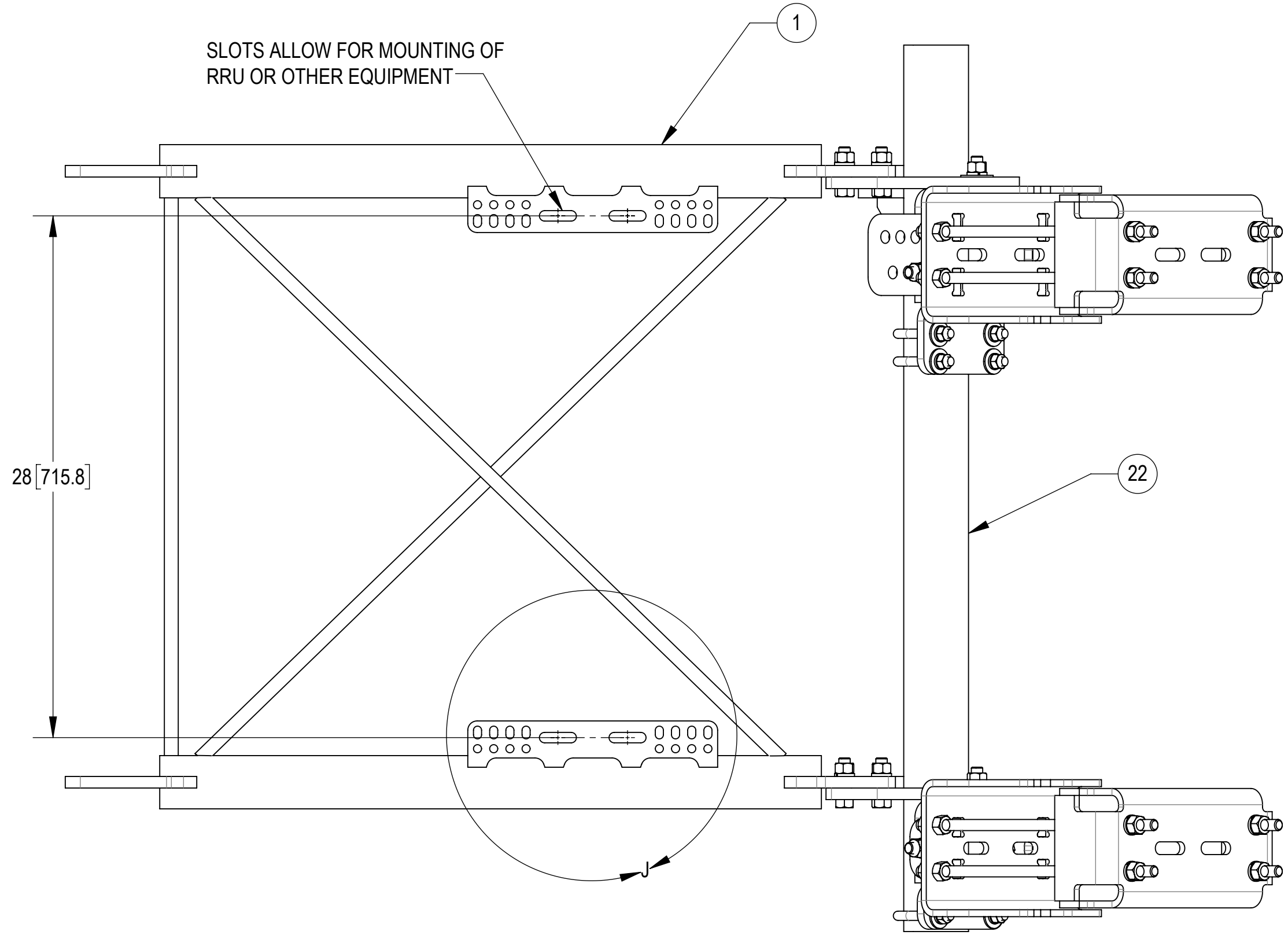
B

B

A

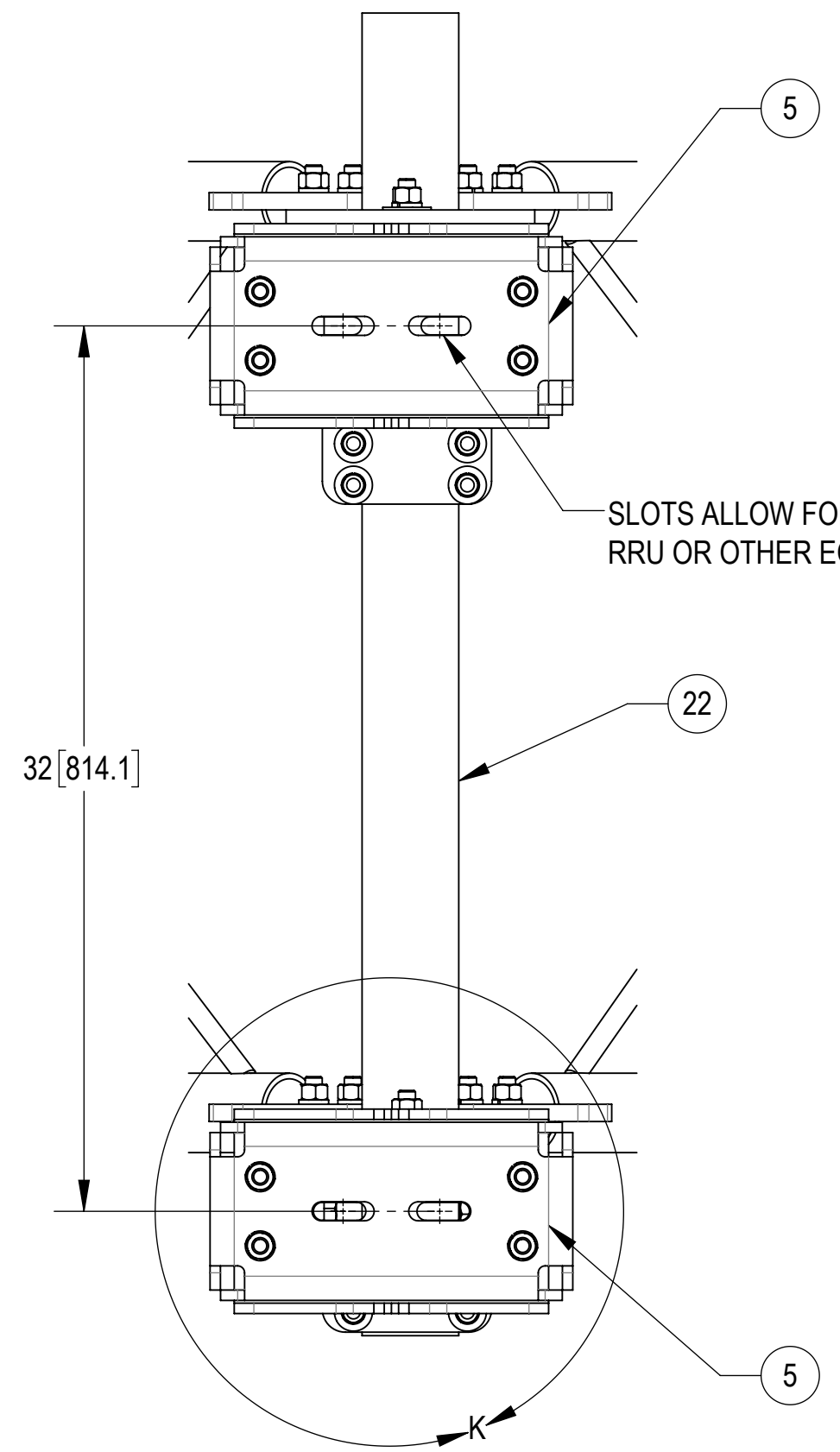
A

SLOTS ALLOW FOR MOUNTING OF RRU OR OTHER EQUIPMENT

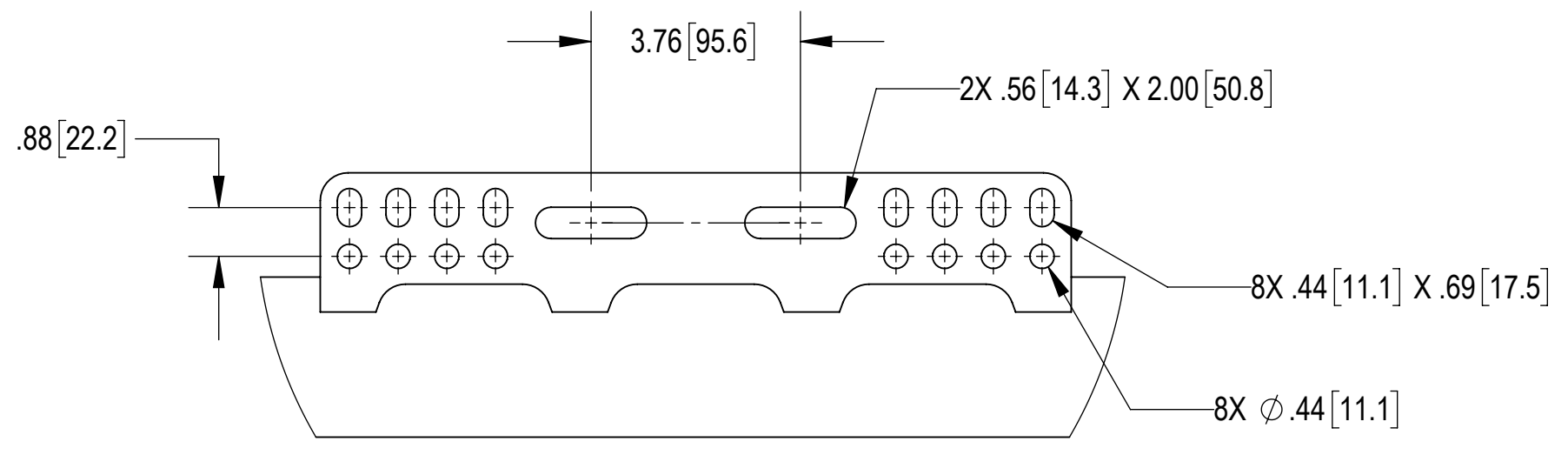


SIDE VIEW

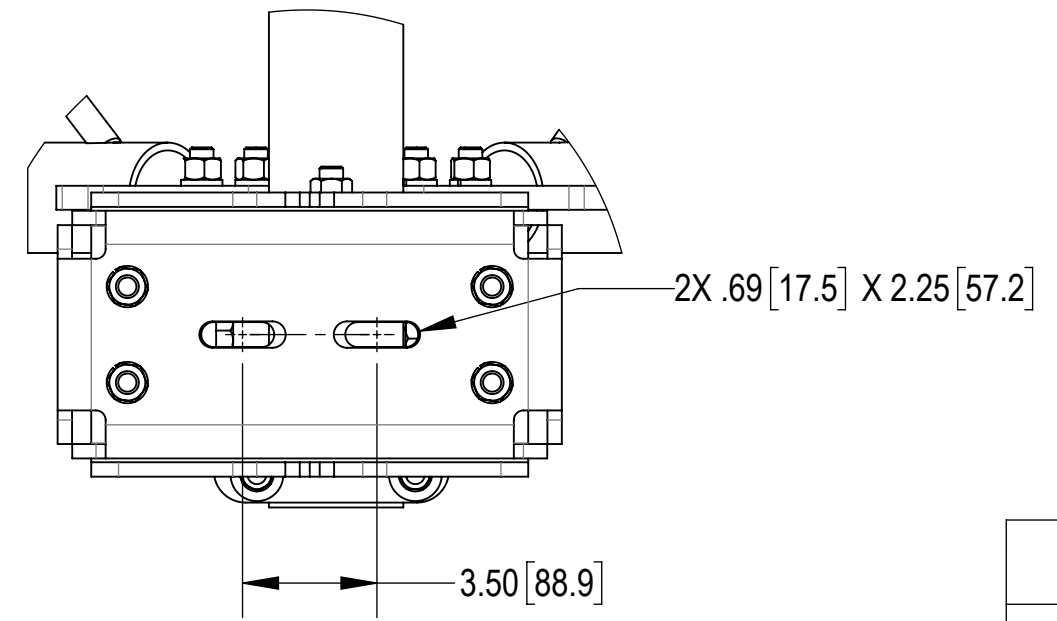
SLOTS ALLOW FOR MOUNTING OF RRU OR OTHER EQUIPMENT



BACK CROP VIEW



DETAIL J
SCALE 1 : 3
2 PLACES



DETAIL K
SCALE 1 : 5
2 PLACES

COMMSCOPE, INC. OF NORTH CAROLINA				
TITLE SECTOR FRAME, SFG23HDX SERIES				
SIZE C	SCALE 1:12	DOCUMENT NO. SFG23HDX SERIES		
		DRAWING		SHEET
		VERSION	STATUS	REVISION
		05	RE	H
				6 OF 12

4

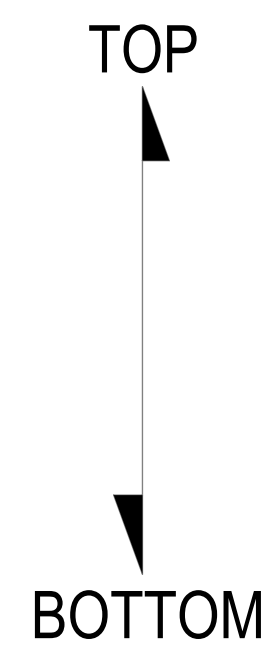
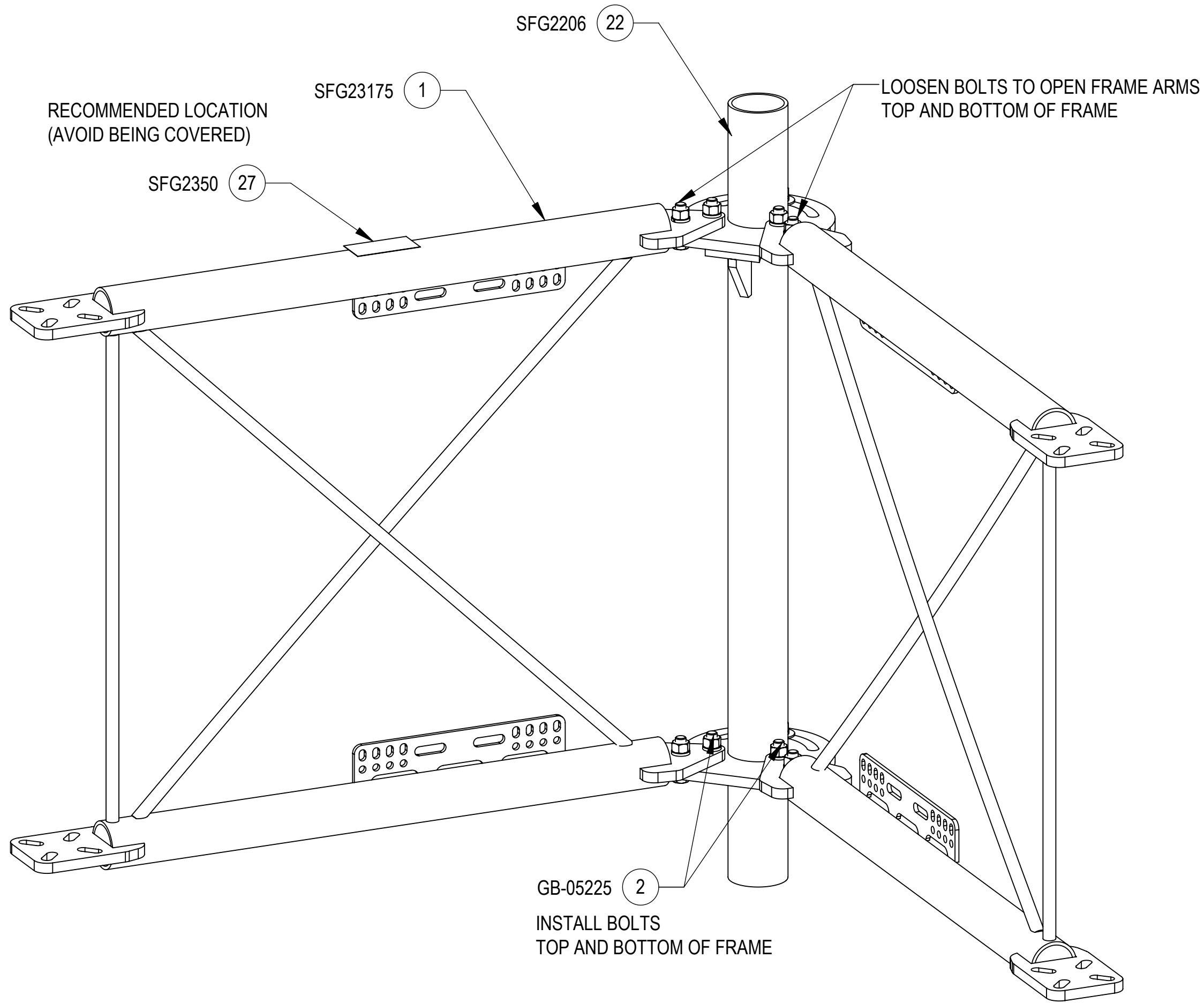
3

2

1

INSTALLATION SEQUENCE - REFERENCE ONLY

STEP 1: LOOSEN BOLT KITS (GB-05225) TO OPEN FRAME SUPPORT ARMS. INSTALL ADDITIONAL 4X BOLT KITS (GB-05225).
PLACE LABEL (SFG2350) ON TOP OF STANDOFF ARMS (SFG23175). (WIPE GALVANIZED SURFACE WITH ALCOHOL CLEANER BEFORE APPLYING LABEL)



ISO VIEW

COMMSCOPE, INC. OF NORTH CAROLINA				
TITLE SECTOR FRAME, SFG23HDX SERIES				
SIZE C	SCALE 1:6	DOCUMENT NO. SFG23HDX SERIES		
		DRAWING		SHEET 7 OF 12
		VERSION 05	STATUS RE	

4

3

2

1

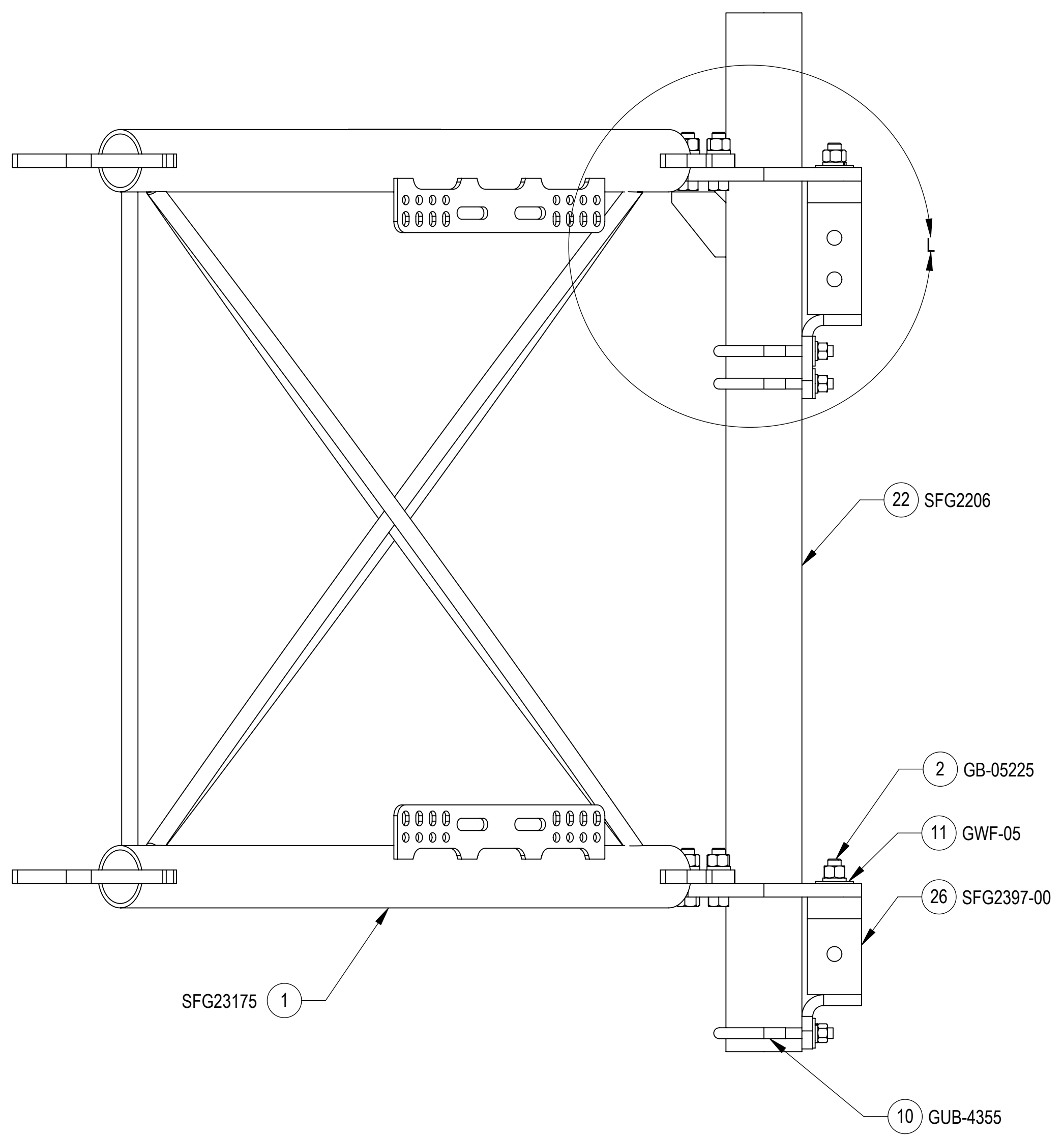
4

3

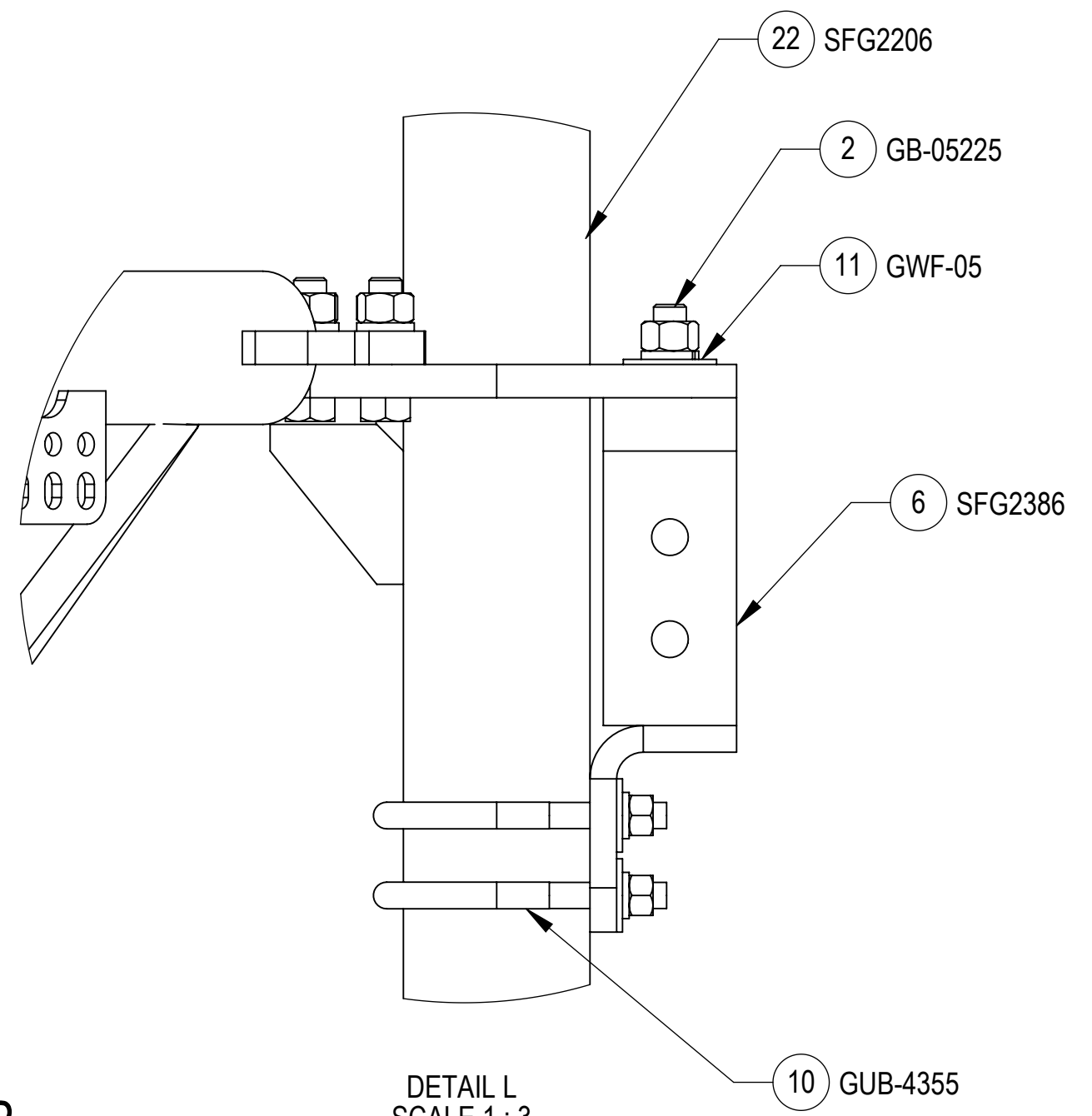
2

1

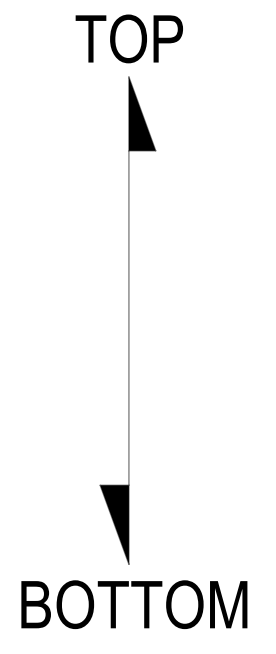
STEP 2: AT TOP, ATTACH AZIMUTH/TAPER BRACKET (SFG2386) TO BACK VERTICAL ARM MOUNT (SFG2206) USING BOLT KITS (GB-05225), U-BOLTS (GUB-4355) AND FLAT WASHERS (GWF-05).
 AT BOTTOM, ATTACH AZIMUTH/TAPER BRACKET (SFG2397-00) TO BACK VERTICAL ARM MOUNT (SFG2206) USING BOLT KITS (GB-05225), U-BOLTS (GUB-4355) AND FLAT WASHERS (GWF-05).



SIDE VIEW



DETAIL L
SCALE 1:3



COMMSCOPE, INC. OF NORTH CAROLINA				
TITLE SECTOR FRAME, SFG23HDX SERIES				
SIZE C	SCALE 1:4	DOCUMENT NO. SFG23HDX SERIES		
		DRAWING		SHEET
		VERSION	STATUS	REVISION
		05	RE	H
				8 OF 12

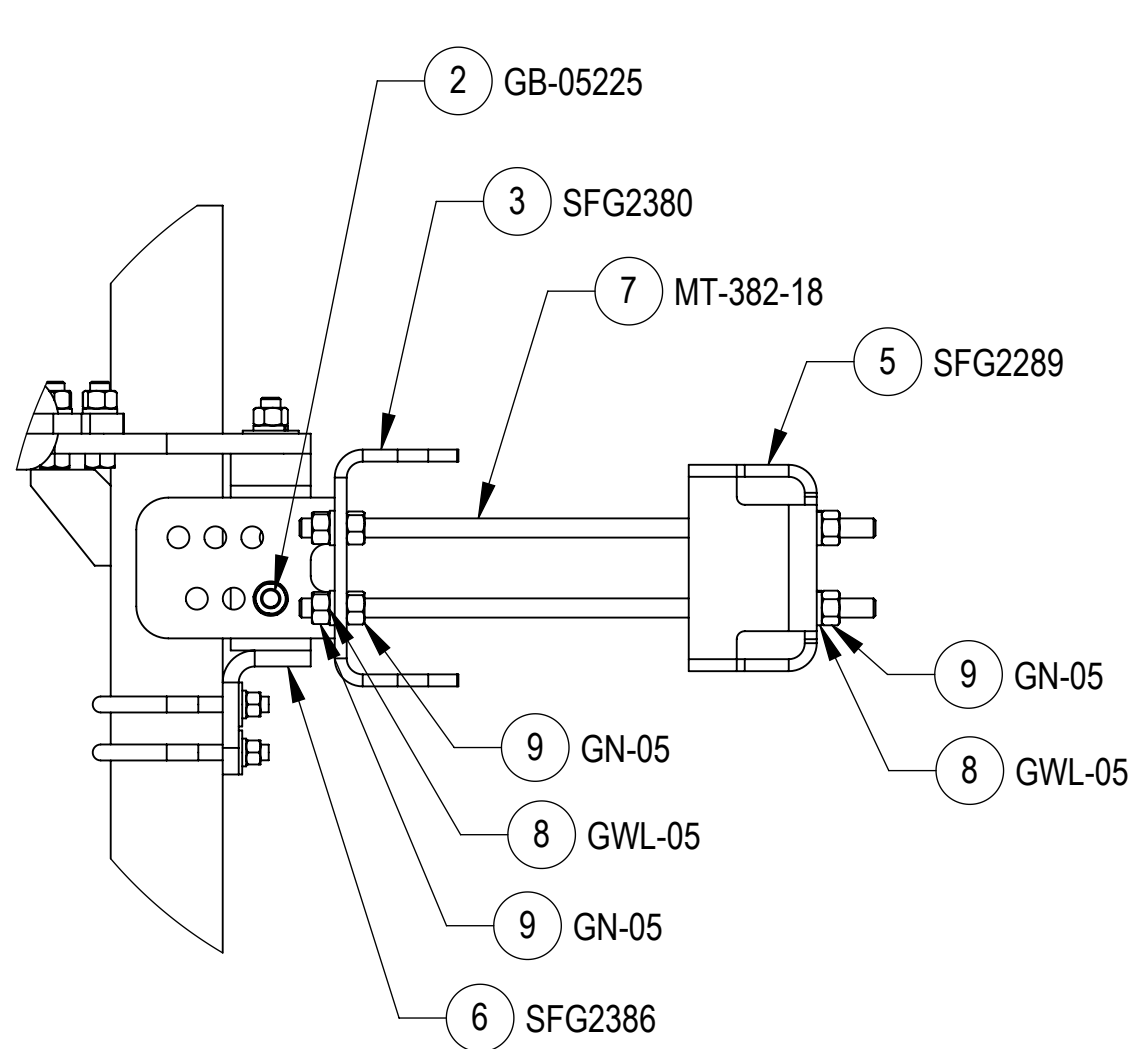
4

3

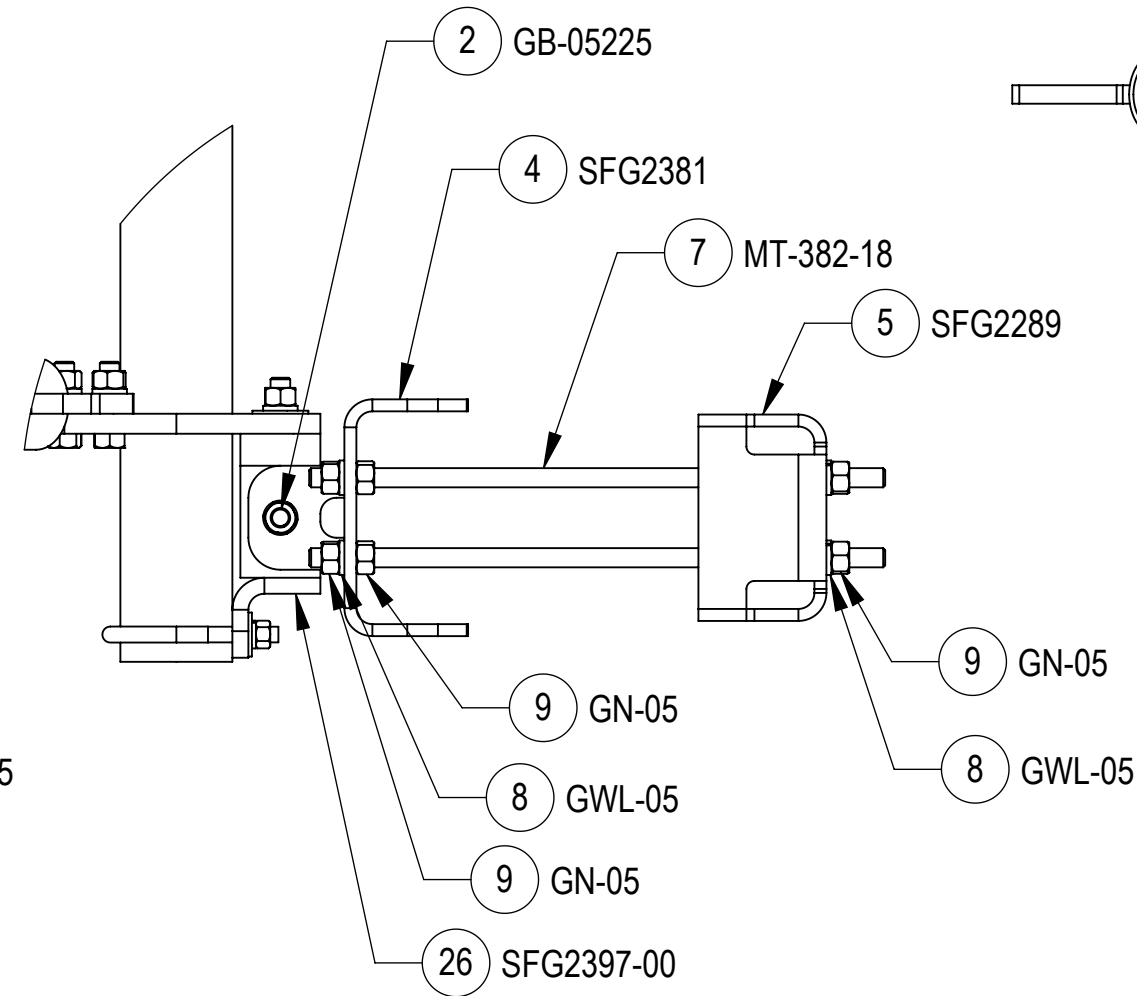
2

1

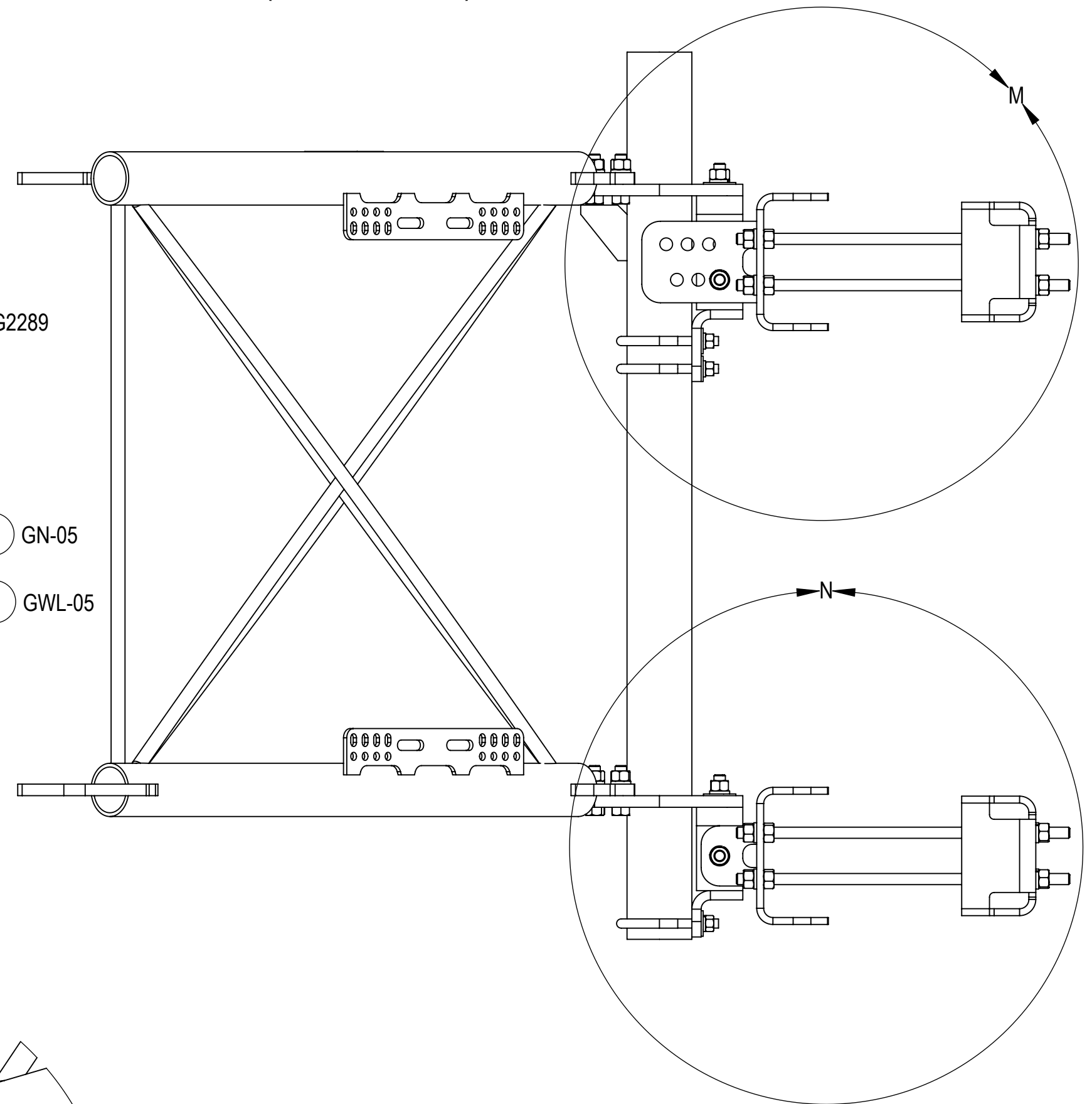
STEP 3: AT TOP, ATTACH TOP TAPER BRACKET (SFG2380) AZIMUTH/TAPER BRACKET (SFG2386) USING BOLTS KITS (GB-05225);
 AT BOTTOM, ATTACH LOWER TOWER LEG BRACKET (SFG2381) TO AZIMUTH/TAPER BRACKET (SFG2397-00) USING BOLTS
 KITS (GB-05225).



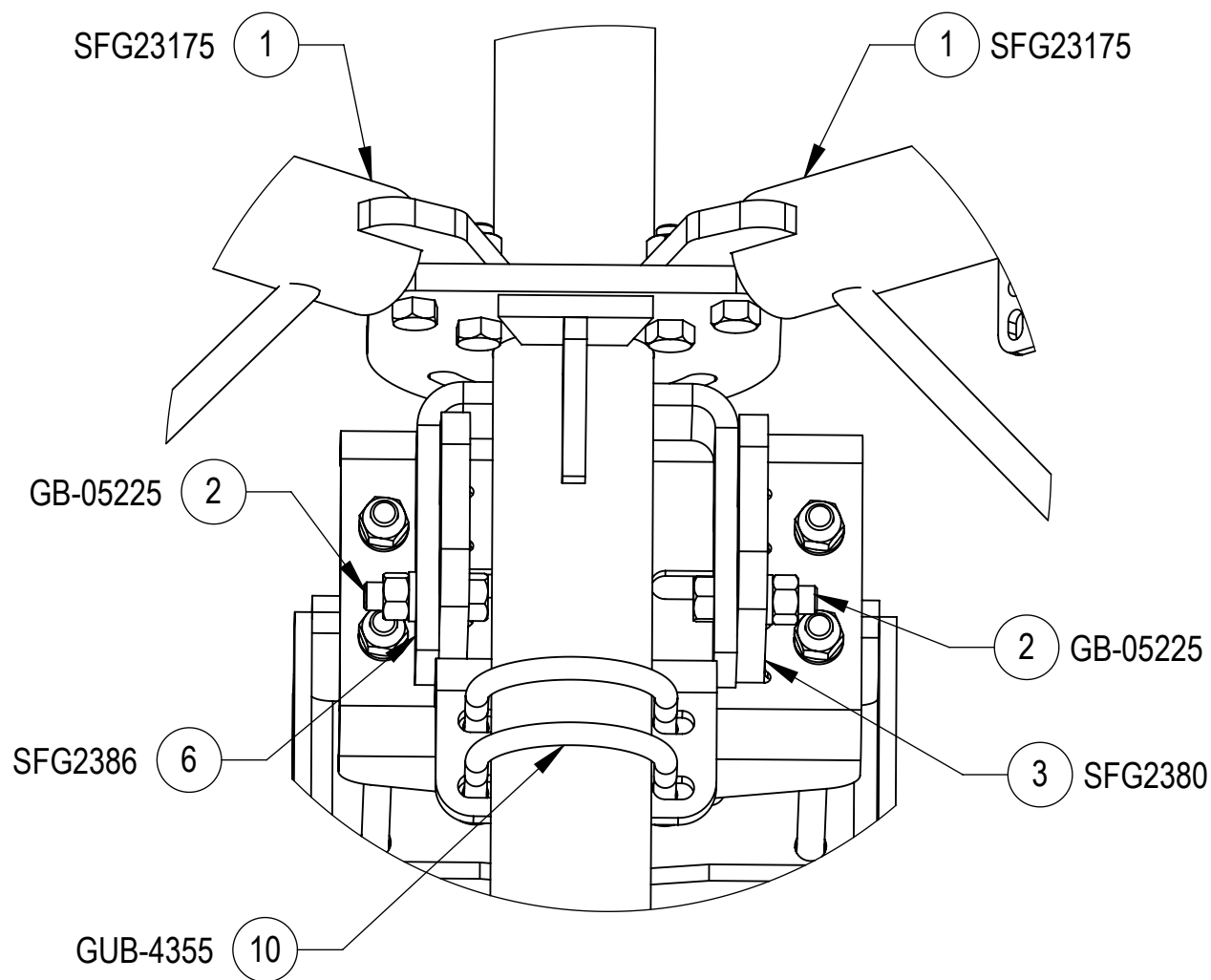
DETAIL M
SCALE 1 : 6



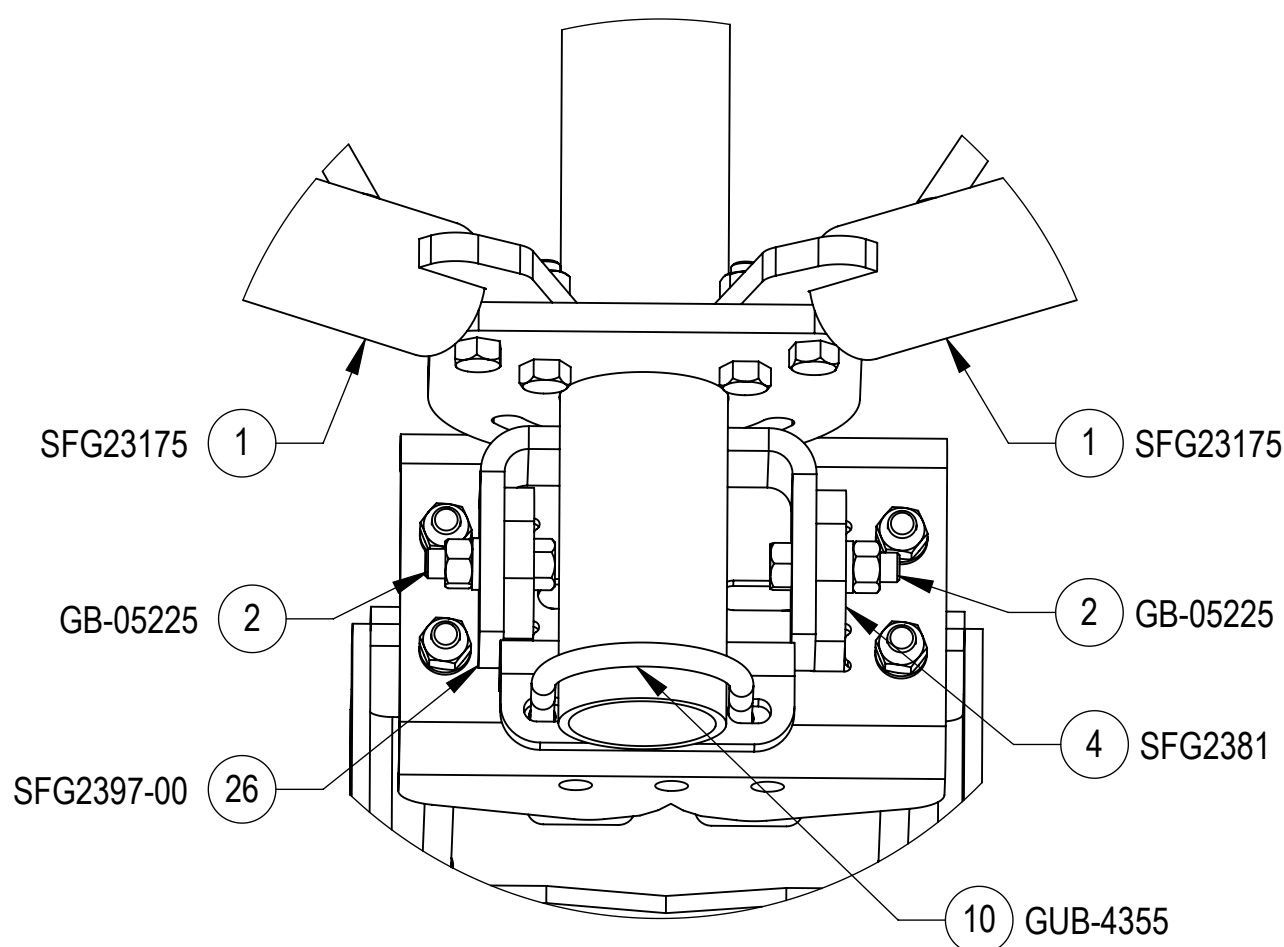
DETAIL N
SCALE 1 : 6



TOP
↓
BOTTOM



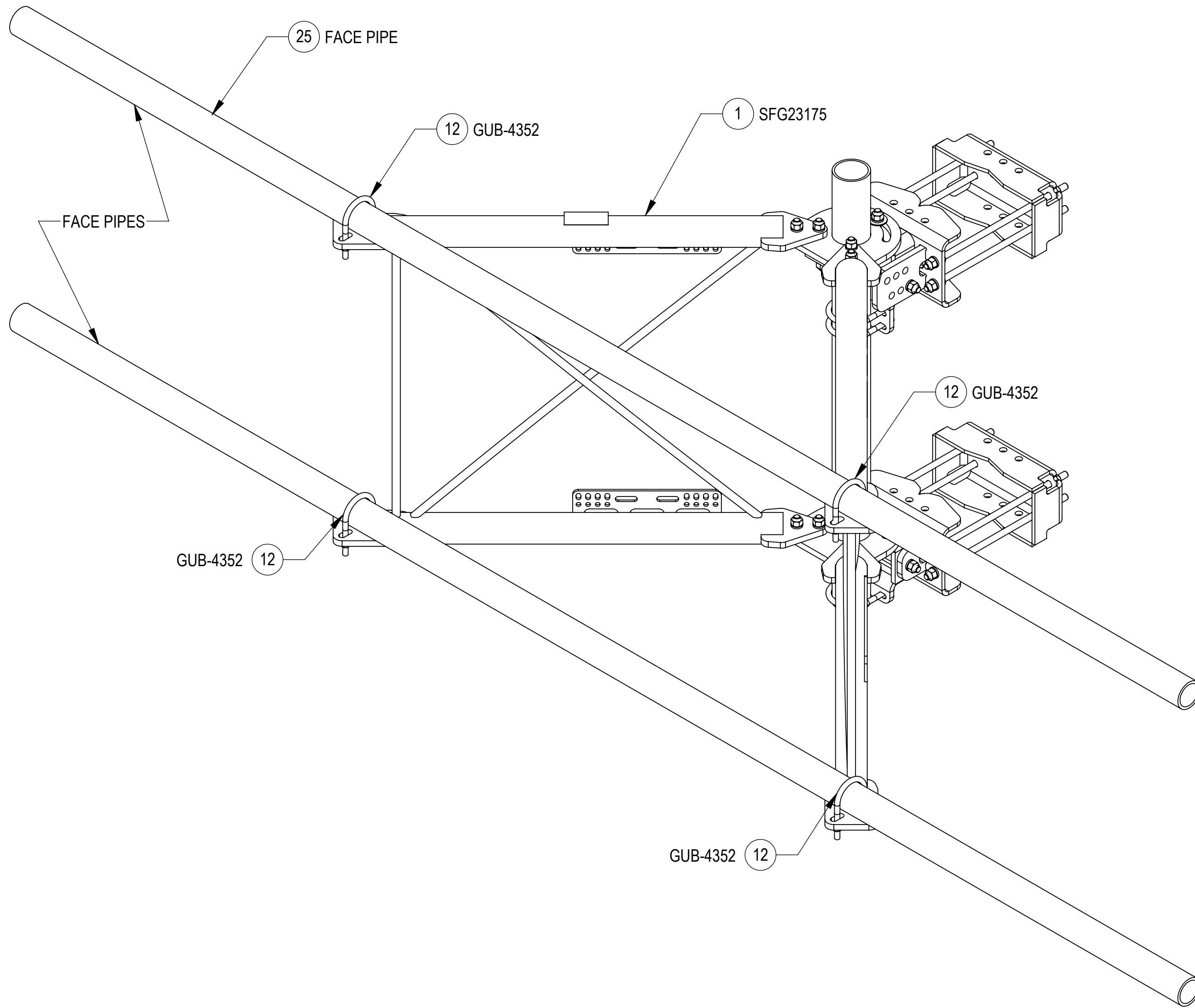
DETAIL ISO TOP ROTATED VIEW
SCALE 1 : 4



DETAIL ISO BOTTOM ROTATED VIEW
SCALE 1 : 4

COMMSCOPE, INC. OF NORTH CAROLINA				
TITLE SECTOR FRAME, SFG23HDX SERIES				
SIZE C	SCALE 1:6	DOCUMENT NO. SFG23HDX SERIES		
		DRAWING		SHEET
		VERSION	STATUS	REVISION
		05	RE	H
				9 OF 12

STEP 4: ATTACH FACE PIPES TO STANDOFF ARMS (SFG23175) USING U-BOLTS (GUB-4352).



ISO VIEW

TOP
 ↓
 BOTTOM

COMMSCOPE, INC. OF NORTH CAROLINA				
TITLE SECTOR FRAME, SFG23HDX SERIES				
SIZE C	SCALE 1:16	DOCUMENT NO. SFG23HDX SERIES		
		DRAWING		SHEET
		VERSION	STATUS	REVISION
		05	RE	H
				10 OF 12

4

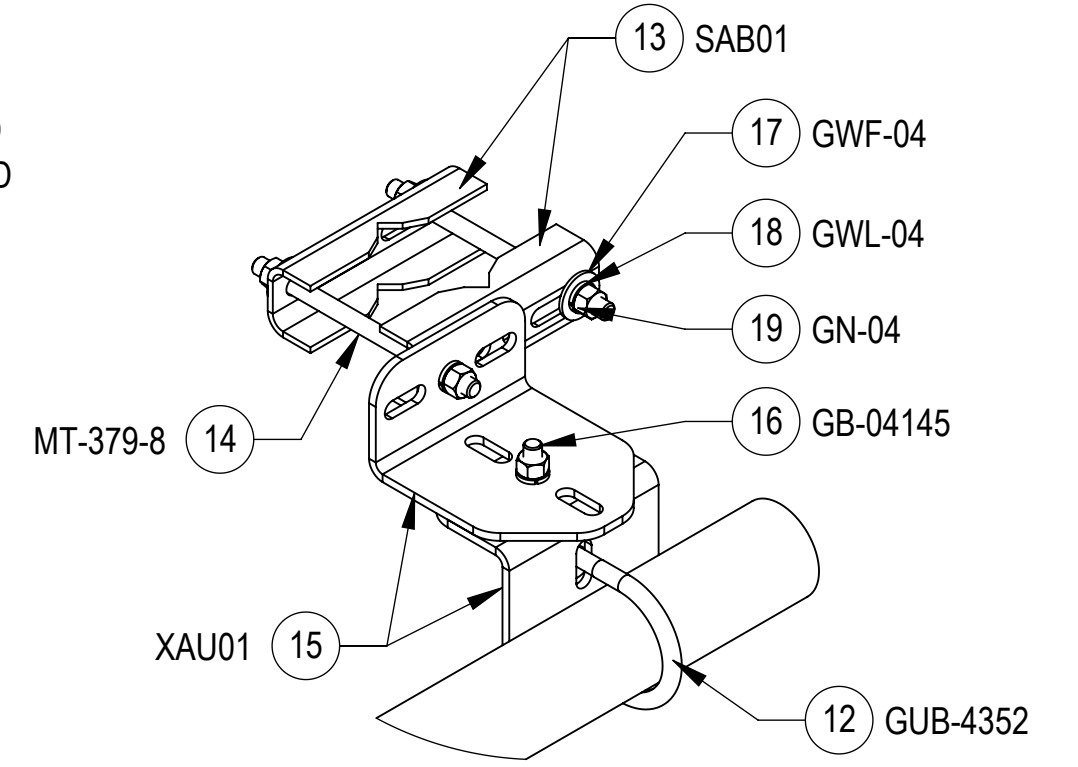
3

2

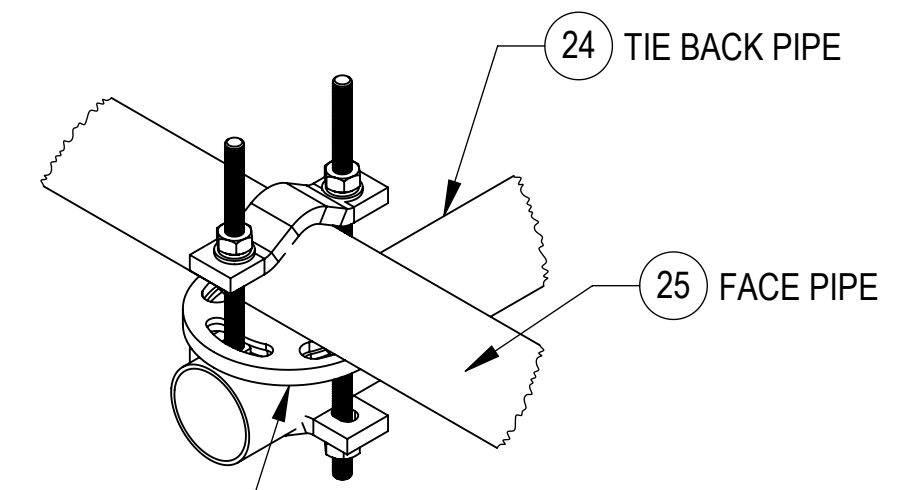
1

**STEP 5: ATTACH ANTENNA PIPES TO FACE PIPES USING CROSSOVER PLATE KITS (XP-2525).
ATTACH TIE BACK PIPES TO FACE PIPES USING ROUND CROSSOVER PLATE KITS (XP-R).**

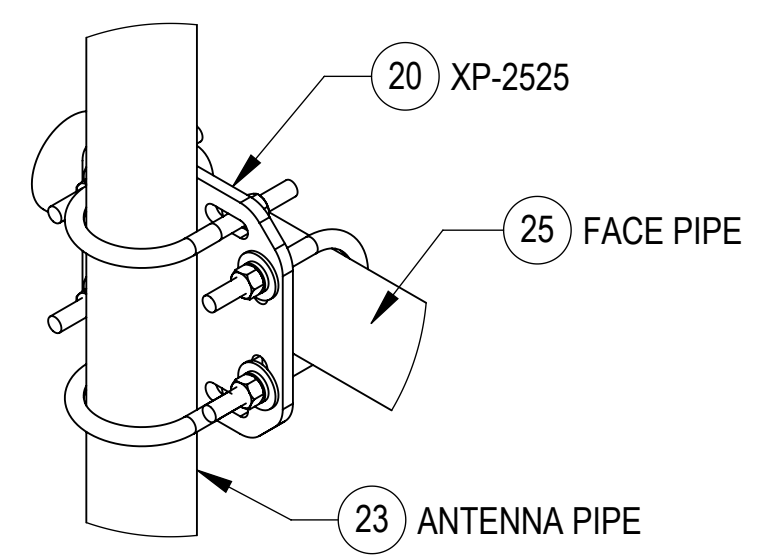
TIEBACK MUST BE CONNECTED TO A RIGID MEMBER THAT PROVIDES ADEQUATE SUPPORT WITHIN THE LIMITS NOTED IN THE TIEBACK ANGLE RANGE DETAIL. UNLESS APPROVED BY ENGINEER OF RECORD. SPINE STEM OF NEIGHBORING MOUNT IS ACCEPTABLE.



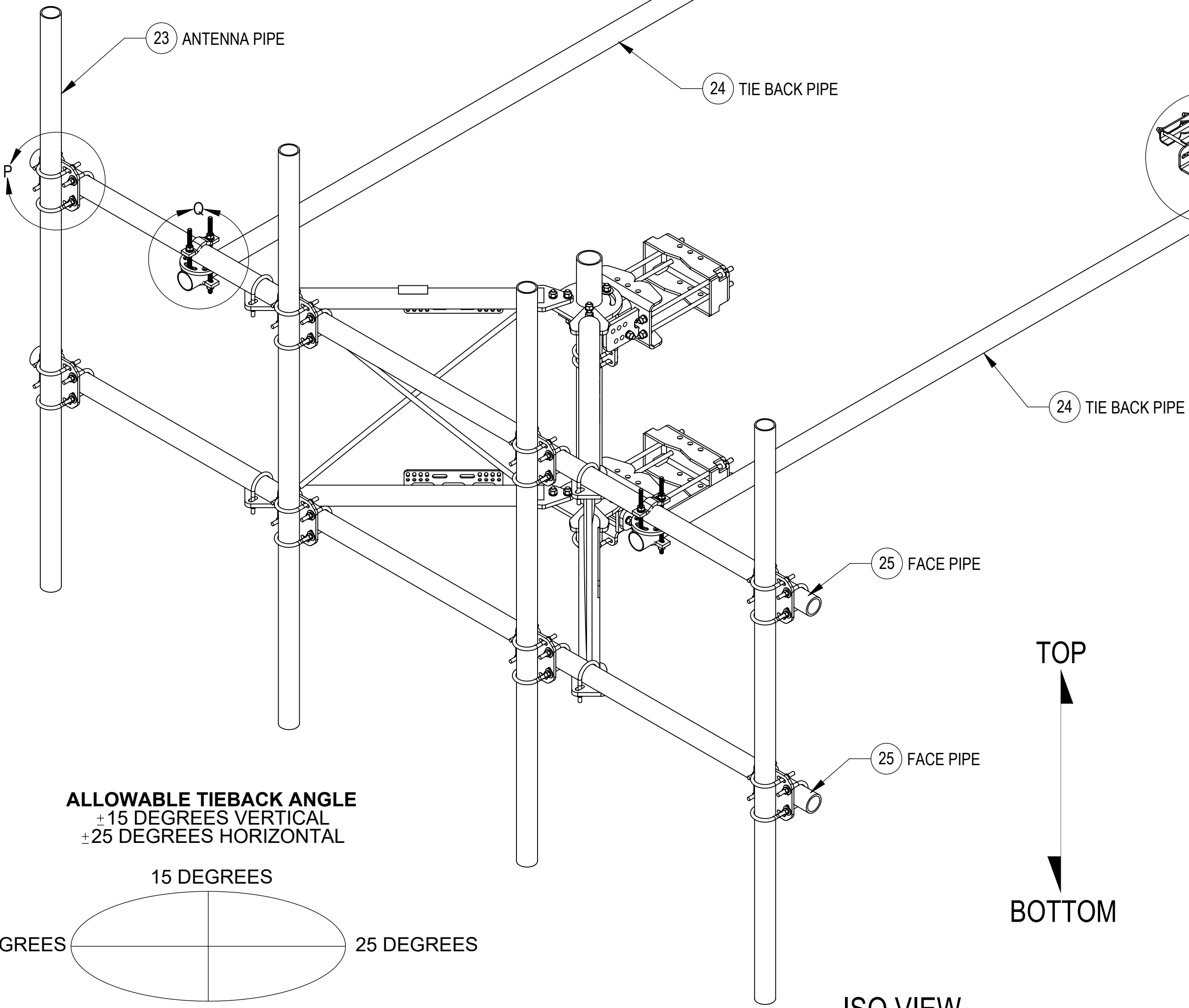
DETAIL R
SCALE 1 : 5



DETAIL Q
SCALE 1 : 5



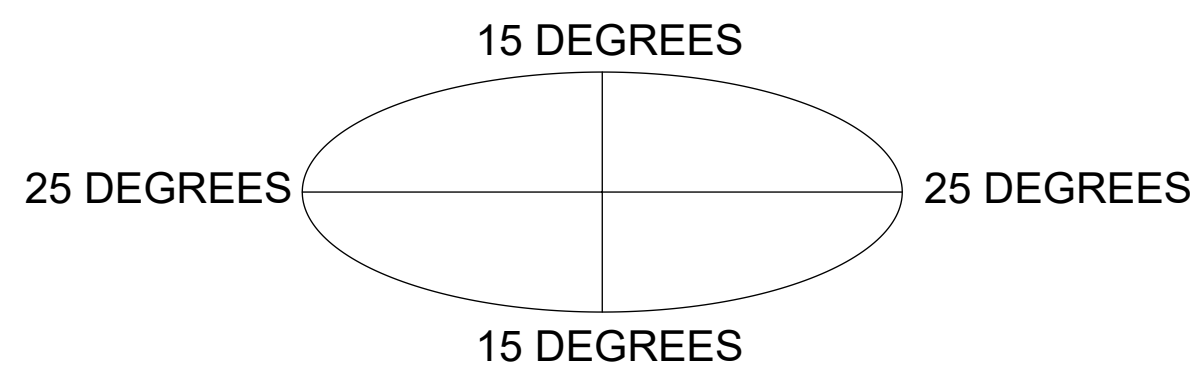
DETAIL P
SCALE 1 : 5



TOP
↓
BOTTOM

ISO VIEW

ALLOWABLE TIEBACK ANGLE
±15 DEGREES VERTICAL
±25 DEGREES HORIZONTAL



COMMSCOPE, INC. OF NORTH CAROLINA				
TITLE SECTOR FRAME, SFG23HDX SERIES				
SIZE C	SCALE 1:12	DOCUMENT NO. SFG23HDX SERIES		
		DRAWING		SHEET
		VERSION	STATUS	REVISION
		05	RE	H
				11 OF 12

4

3

2

1

4

3

2

1

ACCESSORIES ORDERED SEPARATELY:

NOT ALL MATERIALS ARE INCLUDED WITH ITEMS SHOWN ON THIS PAGE
SEE RESPECTIVE PART NUMBER DRAWING BOM FOR DETAILS

D

D

C

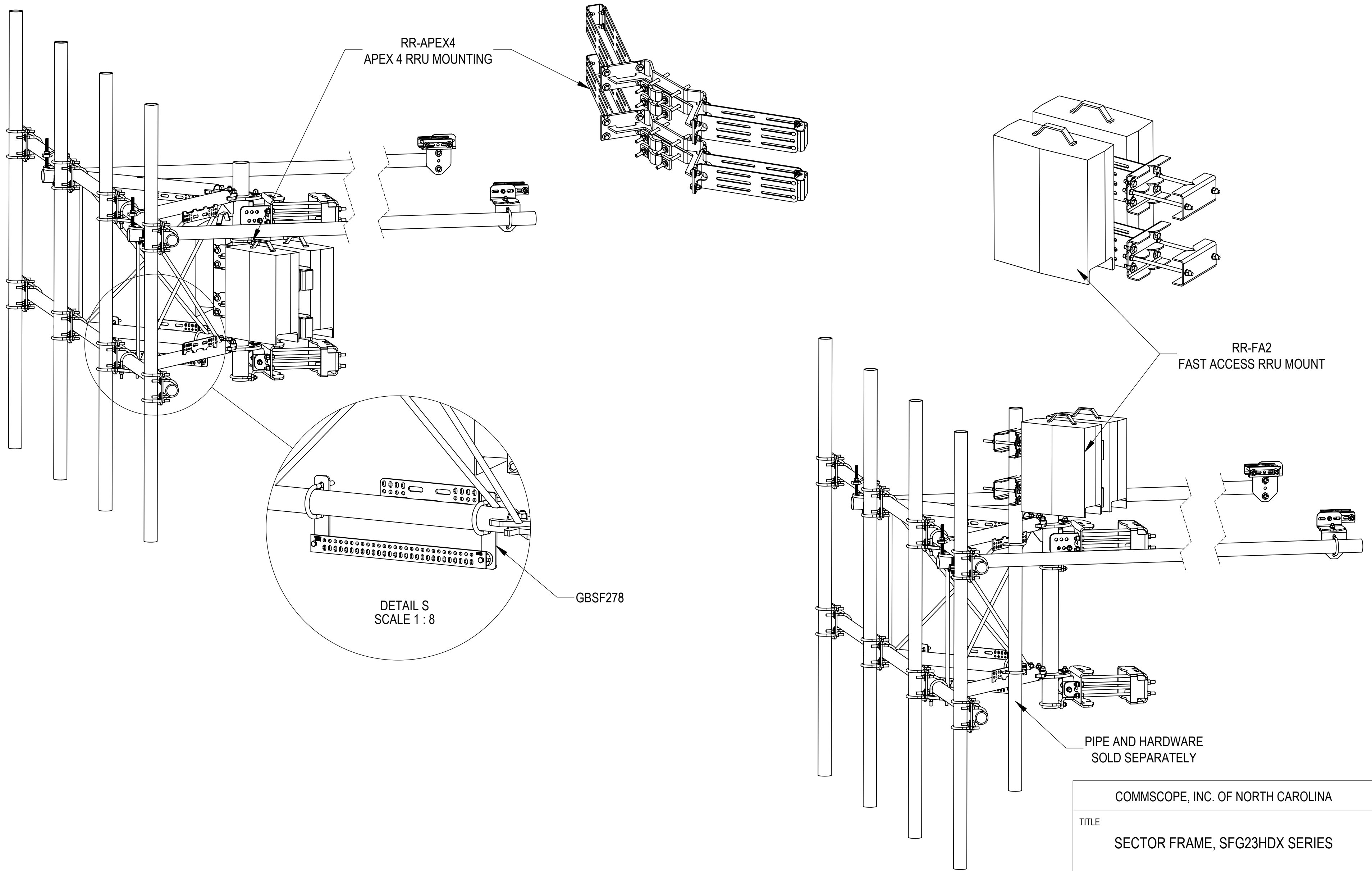
C

B

B

A

A



COMMSCOPE, INC. OF NORTH CAROLINA			
TITLE			
SECTOR FRAME, SFG23HDX SERIES			
SIZE	SCALE	DOCUMENT NO.	
C	1:12	SFG23HDX SERIES	
DRAWING			SHEET
VERSION	STATUS	REVISION	12 OF 12
05	RE	H	

4

3

2

1