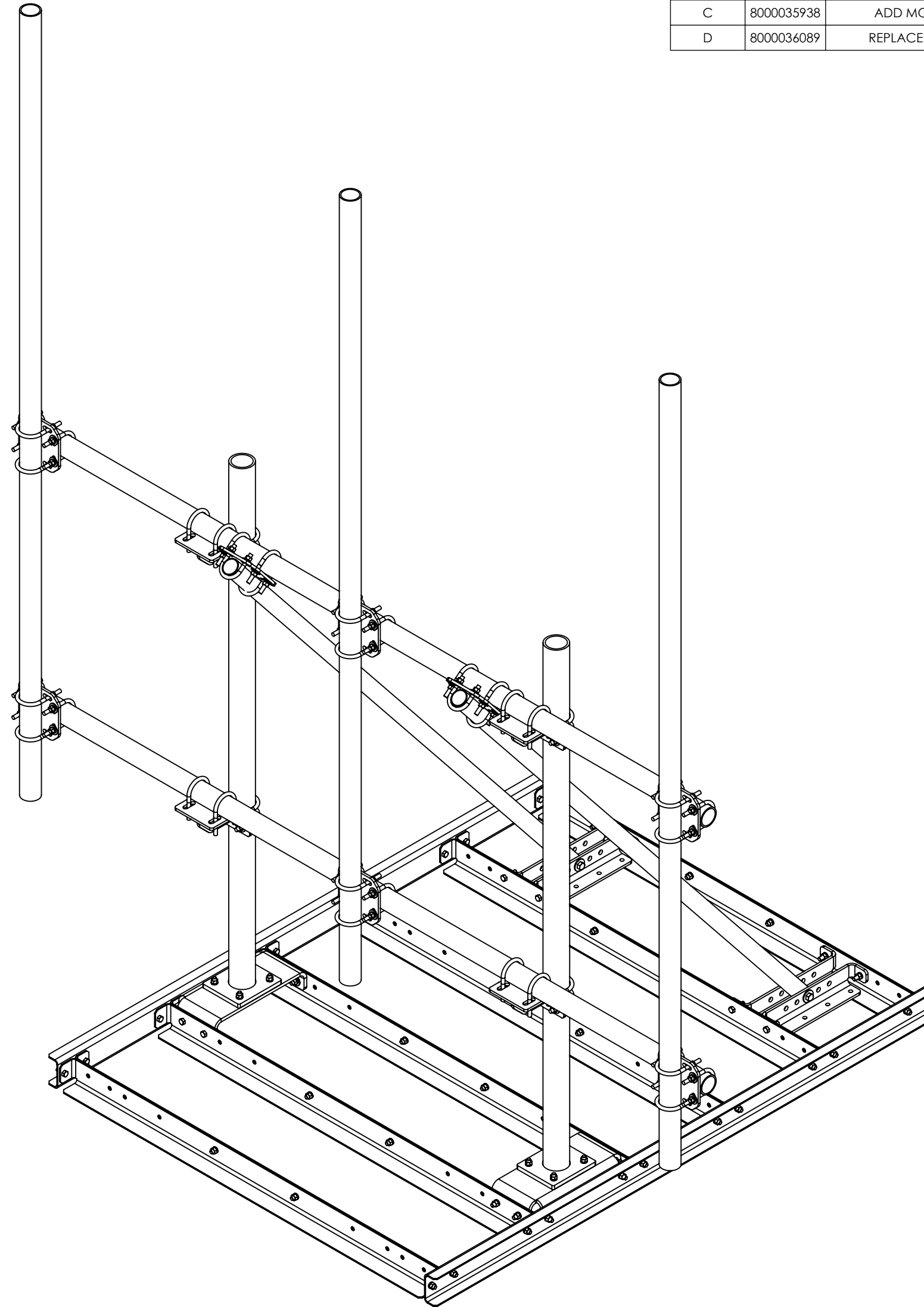


NOTES:

- 1.0 GENERAL
 - 1.1 ALL METRIC DIMENSIONS ARE IN BRACKETS
 - 1.2 FOR PATENT INFO :<https://www.cs-pat.com>
- 2.0 DESIGN NOTES
 - 2.1 SEE STEP INSTRUCTIONS IN DRAWING PACKAGE FOR ASSEMBLY.
- 3.0 MANUFACTURING/SPECIAL REQUIRMENTS
- 4.0 TEST
- 5.0 PACKAGING

REVISIONS				
REV.	ECN	DESCRIPTION	BY	DATE
B	8000034738	INITIAL RELEASE	RJC	04/29/19
C	8000035938	ADD MORE VIEWS FOR BETTER ASSEMBLY	RJC	06/19/19
D	8000036089	REPLACED PMSL02 WITH RTNF1 14 SEE SHT 6	RJC	07/02/19



TOP LEVEL COMPONENTS

PART NO.	DESCRIPTION	BALLAST KIT	SECTOR KIT	CROSSOVER KIT	PIPE BUNDLE
RT-NF-BAL	BALLAST TRAY	RT-NF-BAL	N/A	N/A	N/A
RT-NF7-B	MOUNT, 7' BALLAST W/O PIPES	RT-NF-BAL	RT-NF-SCTR	N/A	PB0207K
RT-NF7-2-96	MOUNT, 7' BALLAST W/2 96" PIPES	RT-NF-BAL	RT-NF-SCTR	XP-2525 (QTY 4)	PB0208K0207K
RT-NF7-2-126	MOUNT, 7' BALLAST W/2 126" PIPES	RT-NF-BAL	RT-NF-SCTR	XP-2525 (QTY 4)	PB0210K0207K
RT-NF7-3-96	MOUNT, 7' BALLAST W/3 96" PIPES	RT-NF-BAL	RT-NF-SCTR	XP-2525 (QTY 6)	PB0308K0207K
RT-NF7-3-126	MOUNT, 7' BALLAST W/3 126" PIPES	RT-NF-BAL	RT-NF-SCTR	XP-2525 (QTY 6)	PB0310K0207K
RT-NF10-B	MOUNT, 10' BALLAST W/O PIPES	RT-NF-BAL	RT-NF-SCTR	N/A	PB0210K
RT-NF10-3-96	MOUNT, 10' BALLAST W/3 96" PIPES	RT-NF-BAL	RT-NF-SCTR	XP-2525 (QTY 6)	PB0210K0308K
RT-NF10-3-126	MOUNT, 10' BALLAST W/3 126" PIPES	RT-NF-BAL	RT-NF-SCTR	XP-2525 (QTY 6)	PB0510K
RT-NF10-4-96	MOUNT, 10' BALLAST W/4, 96" PIPES	RT-NF-BAL	RT-NF-SCTR	XP-2525 (QTY 8)	PB0210K0408K
RT-NF10-4-126	MOUNT, 10' BALLAST W/4, 126" PIPES	RT-NF-BAL	RT-NF-SCTR	XP-2525 (QTY 8)	PB0610K
RT-NF12-B	MOUNT, 12' BALLAST W/O PIPES	RT-NF-BAL	RT-NF-SCTR	N/A	PB0212K
RT-NF12-3-96	MOUNT, 12' BALLAST W/3 96" PIPES	RT-NF-BAL	RT-NF-SCTR	XP-2525 (QTY 6)	PB0212K0308K
RT-NF12-3-126	MOUNT, 12' BALLAST W/4 126" PIPES	RT-NF-BAL	RT-NF-SCTR	XP-2525 (QTY 6)	PB0212K0310K
RT-NF12-4-96	MOUNT, 12' BALLAST W/4 96" PIPES	RT-NF-BAL	RT-NF-SCTR	XP-2525 (QTY 8)	PB0212K0408K
RT-NF12-4-126	MOUNT, 12' BALLAST W/4 126" PIPES	RT-NF-BAL	RT-NF-SCTR	XP-2525 (QTY 8)	PB0212K0410K

RT-NF10-3-126 SHOWN

PIPE BUNDLE TABLE

PART NO.	FACE PIPE	ANTENNA PIPE
PB0207K	MT54684	N/A
PB0208K0207K	MT54684	MT54696
PB0210K0207K	MT54684	MT-546-126
PB0308K0207K	MT54684	MT54696
PB0310K0207K	MT54684	MT-546-126
PB0210K	MT-546-126	N/A
PB0210K0308K	MT-546-126	MT54696
PB0510K	MT-546-126	MT-546-126
PB0210K0408K	MT-546-126	MT54696
PB0610K	MT-546-126	MT-546-126
PB0212K	MT-546-150	N/A
PB0212K0308K	MT-546-150	MT54696
PB0212K0310K	MT-546-150	MT-546-126
PB0212K0408K	MT-546-150	MT54696
PB0212K0410K	MT-546-150	MT-546-126

COMMSCOPE, INC. OF NORTH CAROLINA

TOLERANCES		SAP MATERIAL MASTER	
0 PLACE X ± .25	2 PLACE .XX ± 0.06	RT-NF	
1 PLACE .X ± 0.12	ANGLES ± 2°		
FINISH GALV A123		MATERIAL A500, A1011	
UNLESS OTHERWISE SPECIFIED DIMENSIONS ARE IN INCHES INTERPRET PER ANSI Y 14.5M-1994	NAME	DATE	TITLE
	CE RJC	03/01/19	NON-PENETRATING ROOF FRAME
	RW BCAMPBELLCON	07/02/2019	
	RV MC1107	07/02/2019	
	AD FA1024	07/02/2019	
RE	ECN 008000034738	SCALE 1:20	DOCUMENT NO. RT-NF
SIZE WORK AREA 24	MODEL		DRAWING
C	VERSION 02	STATUS RE	REVISION D
	VERSION 01	STATUS RE	REVISION D
			SHEET 1 OF 7

DENSITY	963.26	lbs/in ³
MASS	963.26	lbs
VOLUME	3417.30	in ³
SURFACE AREA	35982.98	in ²
HEIGHT		
LENGTH		
WIDTH		

4

3

2

1

NOTES:

D

D

C

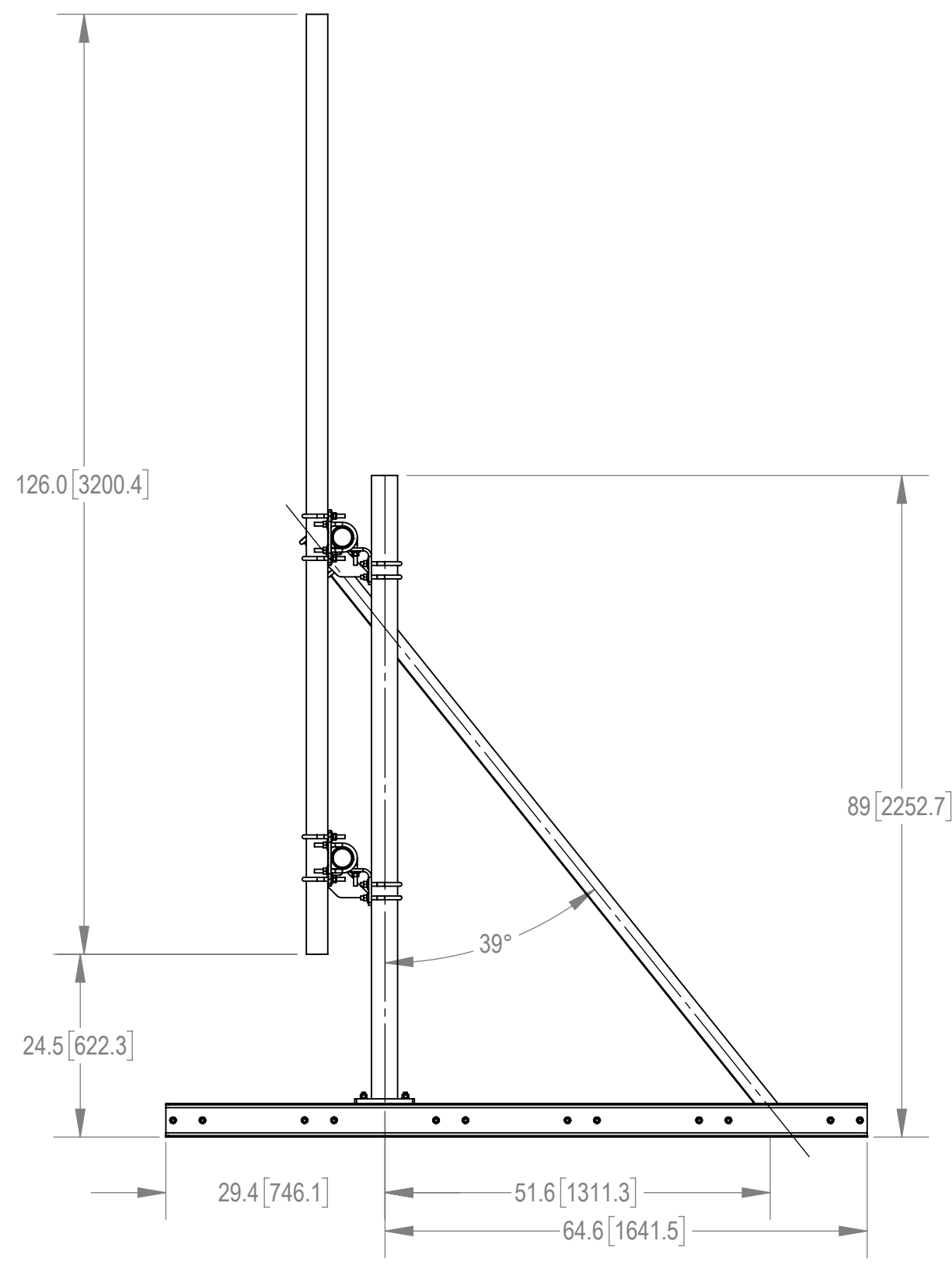
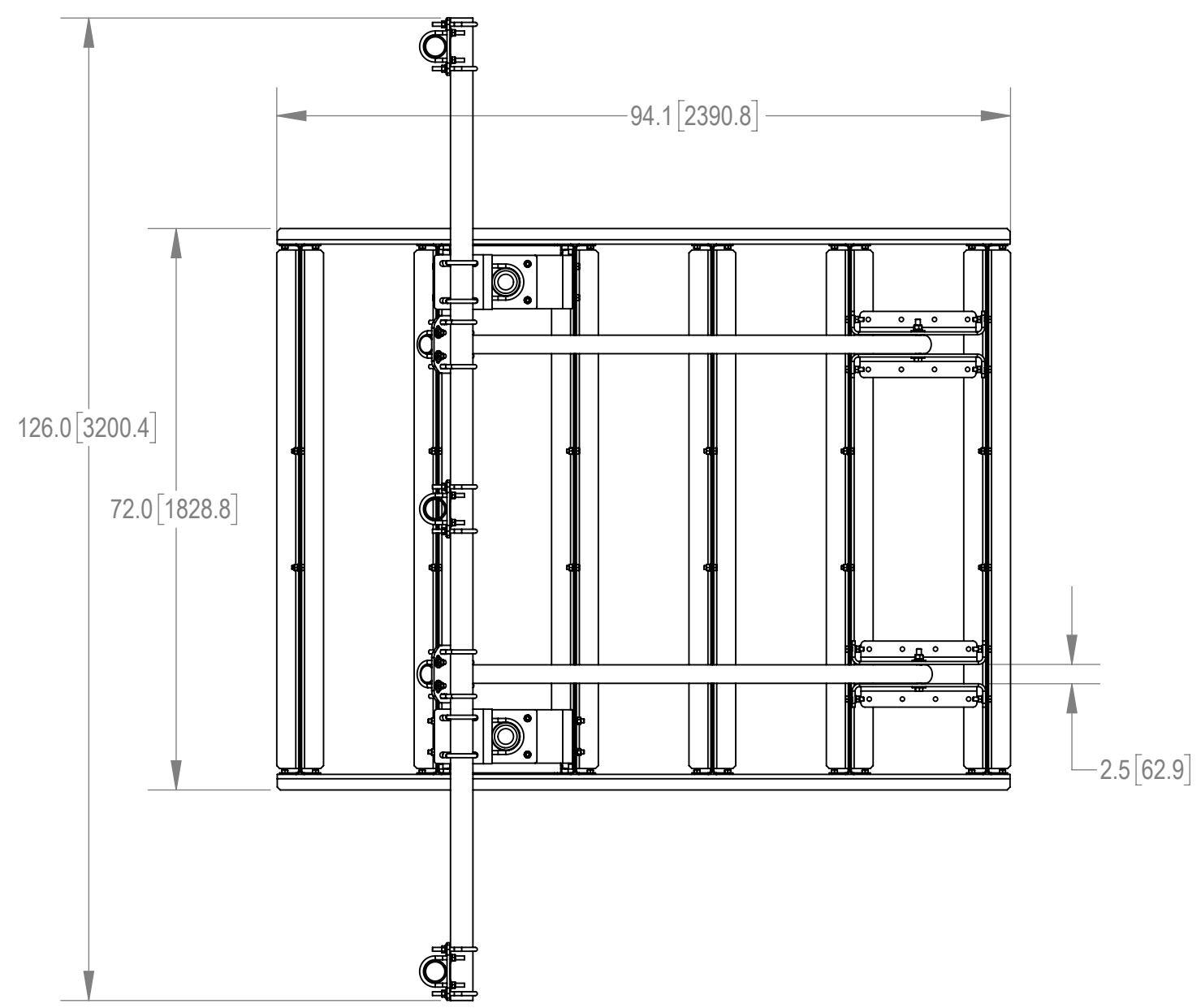
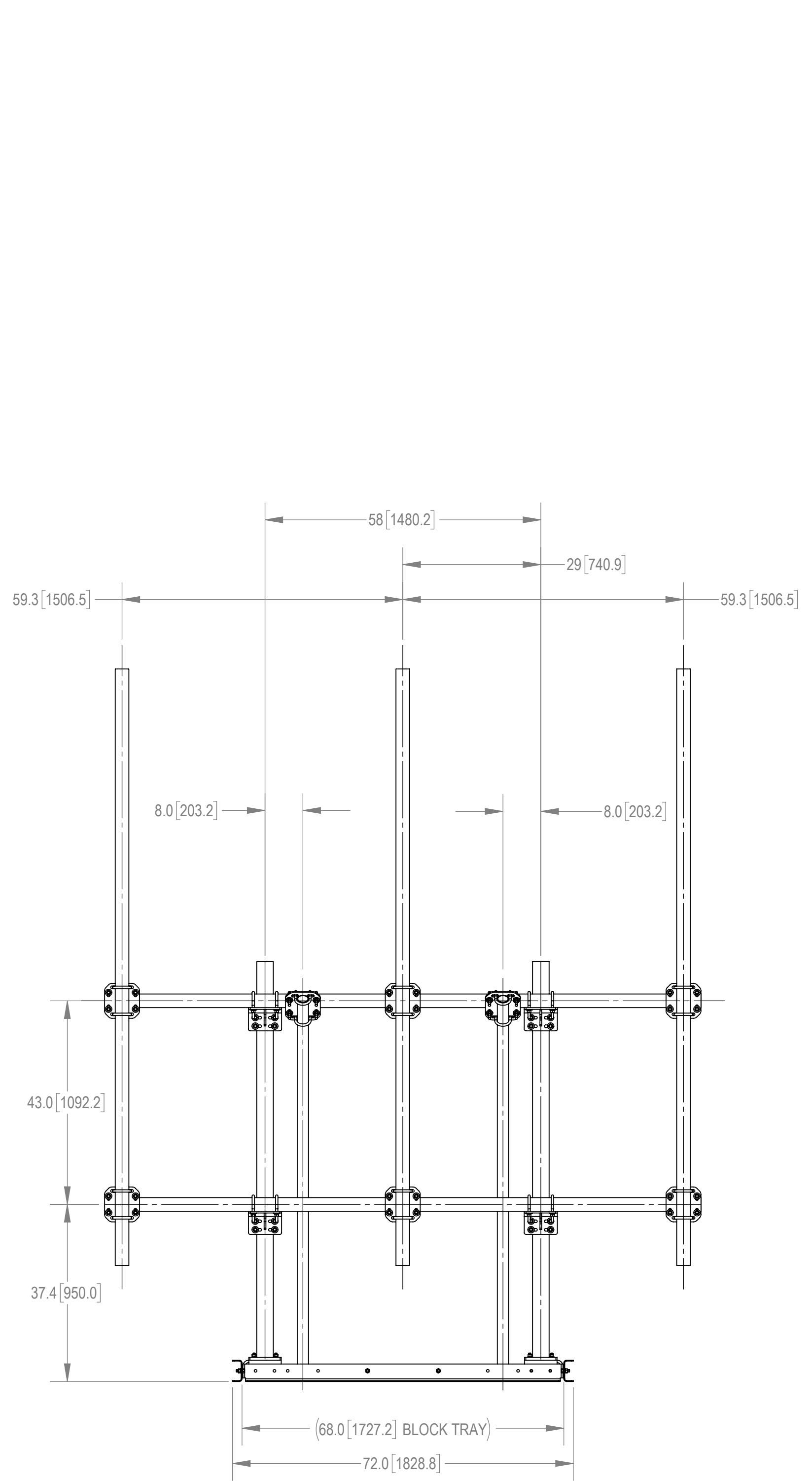
C

B

B

A

A



RT-NF10-3-126 SHOWN

COMMSCOPE, INC. OF NORTH CAROLINA				
TITLE NON-PENETRATING ROOF FRAME				
SIZE C	SCALE 1:20	DOCUMENT NO. RT-NF		
		DRAWING		SHEET
		VERSION	STATUS	REVISION
		07	RE	D
				SHEET 2 OF 7

© 2019 CommScope, Inc. Confidential

4

3

2

1

4

3

2

1

NOTES:

D

D

C

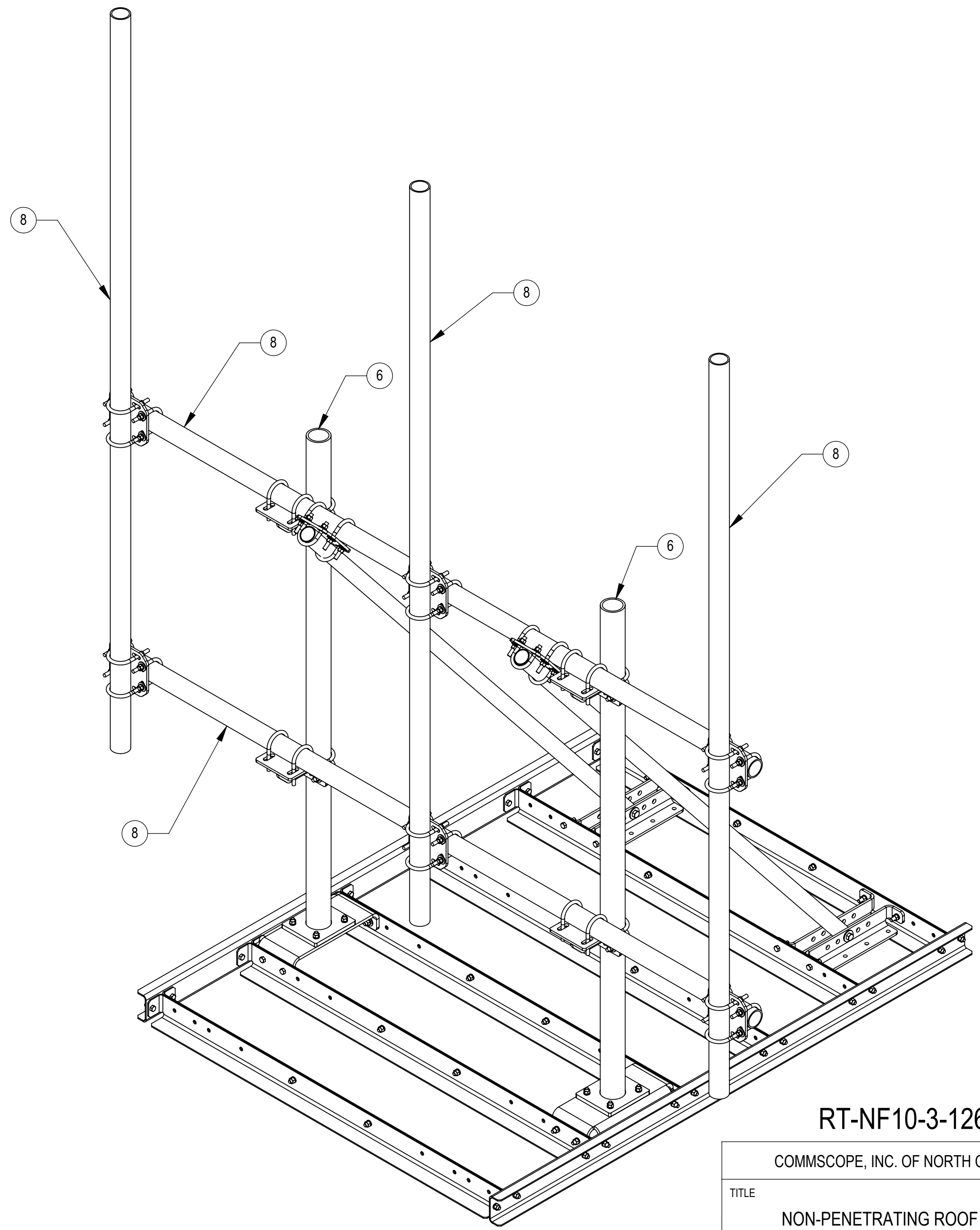
C

B

B

A

A



ITEM	PART NO.	DESCRIPTION	Default/ QTY.	NOTE NO.
1	RTNF101	ANGLE, ROOF TOP TRAY	12	
2	RTNF102	CHANNEL, ROOF TOP TRAY SIDE	2	
3	RTNF103	BRACKET, ROOF TOP VERTICLE PIPE MTG	2	
4	RTNF107	BRACKET, ROOF TOP TIEBACK	4	
5	RTNF108	PIPE, ROOF TOP TIEBACK	2	
6	RTNF110	WELDMENT, ROOF TOP VERTICLE PIPE	2	
7	RTNF114	WELDMENT, FACE PIPE L BRACKET	4	
8	MT-546-126	2.875" O.D X 126" PIPE	5	
9	XP-2025	CROSSOVER PLATE KIT, 2-3/8 OD X 2-7/8 OD	2	
10	XP-2525	CROSSOVER PLATE KIT, 2-7/8 OD X 2-7/8 OD	6	
11	GWF-04	1/2" GALV FLAT WASHER	12	
12	GB-04205	1/2" X 2" GALV BOLT KIT	28	
13	GB-04125	1/2" X 1-1/4" GALV BOLT KIT	32	
14	GUB-4352	1/2" X 3" X 5-1/4" GALV U-BOLT	8	
15	GUB-4355	1/2" X 3-5/8" X 5" GALV U-BOLT	8	
16	GWF-05	5/8" GALV FLAT WASHER	4	
17	GB-05505	5/8" X 5" GALV BOLT KIT	2	

RT-NF10-3-126 SHOWN

COMMSCOPE, INC. OF NORTH CAROLINA			
TITLE NON-PENETRATING ROOF FRAME			
SIZE C	SCALE 1:12	DOCUMENT NO. RT-NF	
DRAWING		VERSION	STATUS
DRAWING		REVISION	SHEET
DRAWING		07	RE
DRAWING		D	3 OF 7

© 2019 CommScope, Inc. Confidential

4

3

2

1

4

3

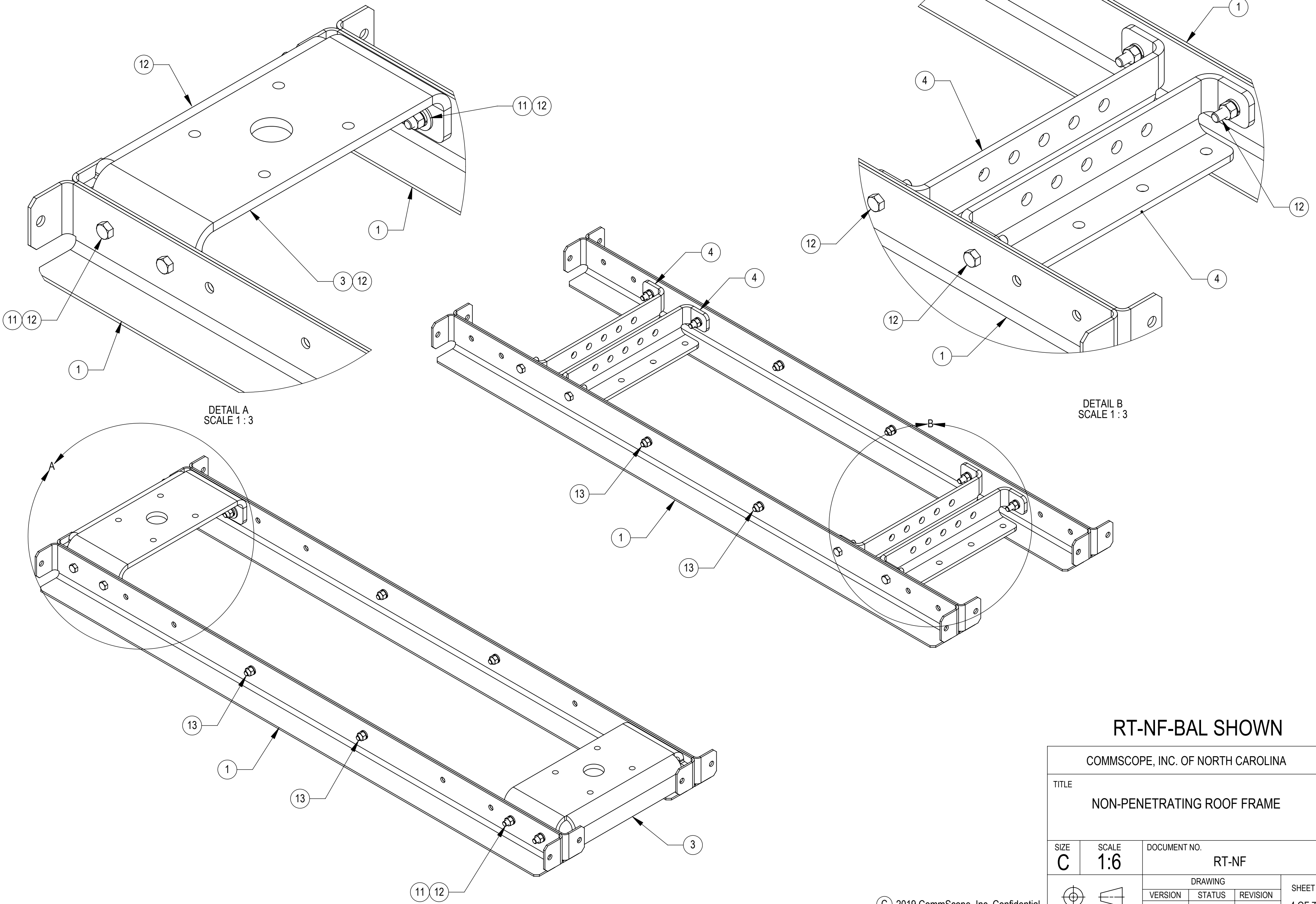
2

1

NOTES:

ASSEMBLY STEP 1:

- A) ASSEMBLY BRACKET, ROOF TOP VERTICLE PIPE MTG (RTNF103) TO ANGLE, ROOF TOP TRAY (RTNF101) BOLT TOGETHER USING 1/2" X 2" BOLT KIT (GB-04205) AND 1/2" FLAT WASHER (GWF-04)(SEE DETAIL A).
- B) ASSEMBLY BRACKET, ROOF TOP TIEBACK (RTNF107) TO ANGLE, ROOF TOP TRAY (RTNF101) BOLT TOGETHER USING 1/2" X 2" BOLT KIT (GB-04205) (SEE DETAIL B).



DETAIL A SCALE 1:3

DETAIL B SCALE 1:3

RT-NF-BAL SHOWN

COMMSCOPE, INC. OF NORTH CAROLINA				
TITLE NON-PENETRATING ROOF FRAME				
SIZE C	SCALE 1:6	DOCUMENT NO. RT-NF		
		DRAWING		SHEET
		VERSION 07	STATUS RE	REVISION D
				4 OF 7

4

3

2

1

4

3

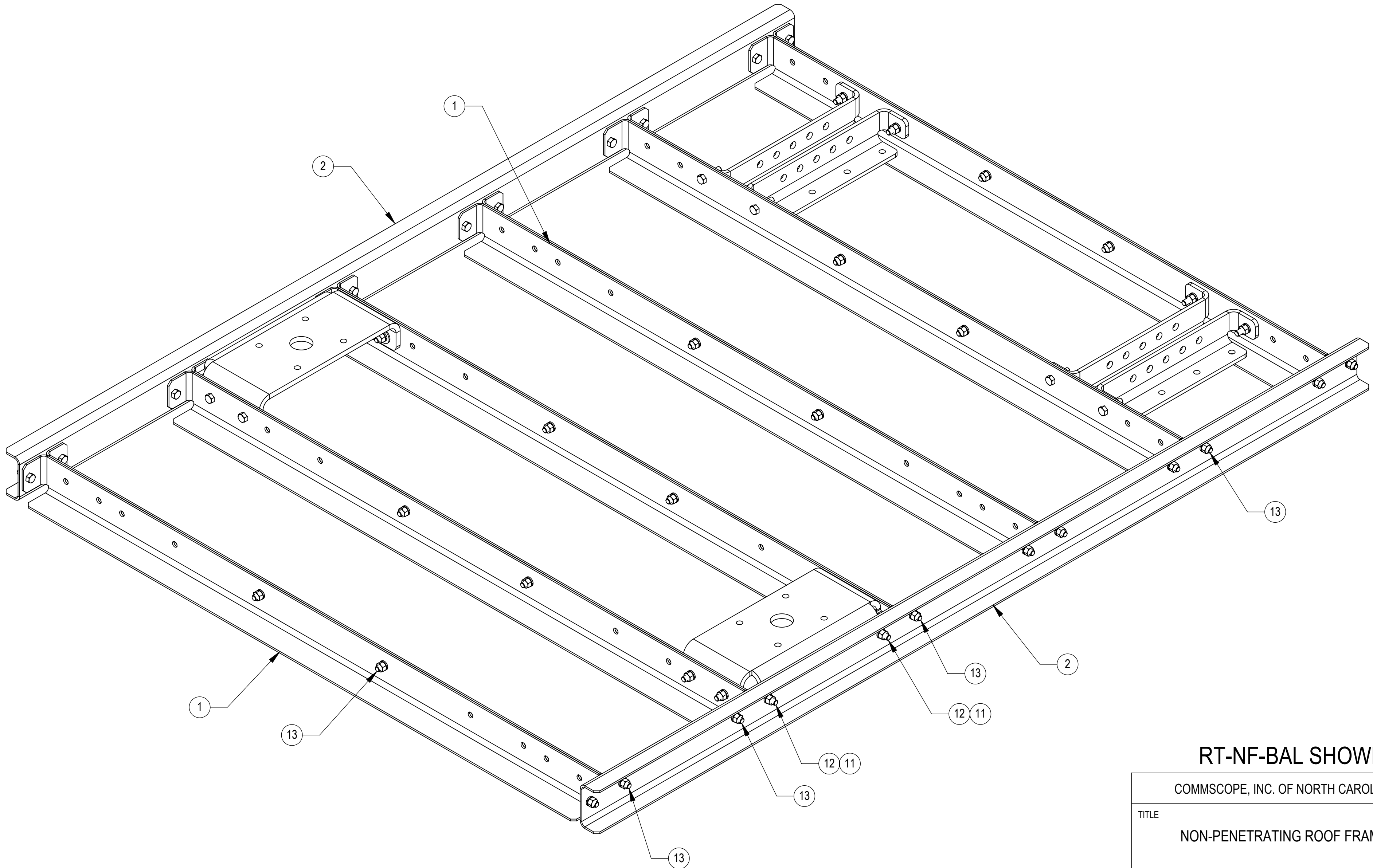
2

1

NOTES:

ASSEMBLY STEP 2:

- A) ASSEMBLE CHANNEL, ROOF TOP TRAY SIDE (RTNF102) TO THE ASSEMBLIES FROM STEP 1 IN PROPER LOCATIONS, USING 1/2" X 1-1/4" BOLT KIT (GB-04125) AND 1/2" X 2" BOLT KIT (GB-04205) WITH 1/2" FLAT WASHER (GWF-04).
- B) ASSEMBLE ANGLE, ROOF TOP TRAY (RTNF101) IN OTHER LOCATIONS USING 1/2" X 1-1/4" BOLT KIT (GB-04125).



RT-NF-BAL SHOWN

COMMSCOPE, INC. OF NORTH CAROLINA

TITLE	
NON-PENETRATING ROOF FRAME	

SIZE	SCALE	DOCUMENT NO.		
C	1:6	RT-NF		
		DRAWING		
		VERSION	STATUS	REVISION
		07	RE	D
				SHEET
				5 OF 7

4

3

2

1

4

3

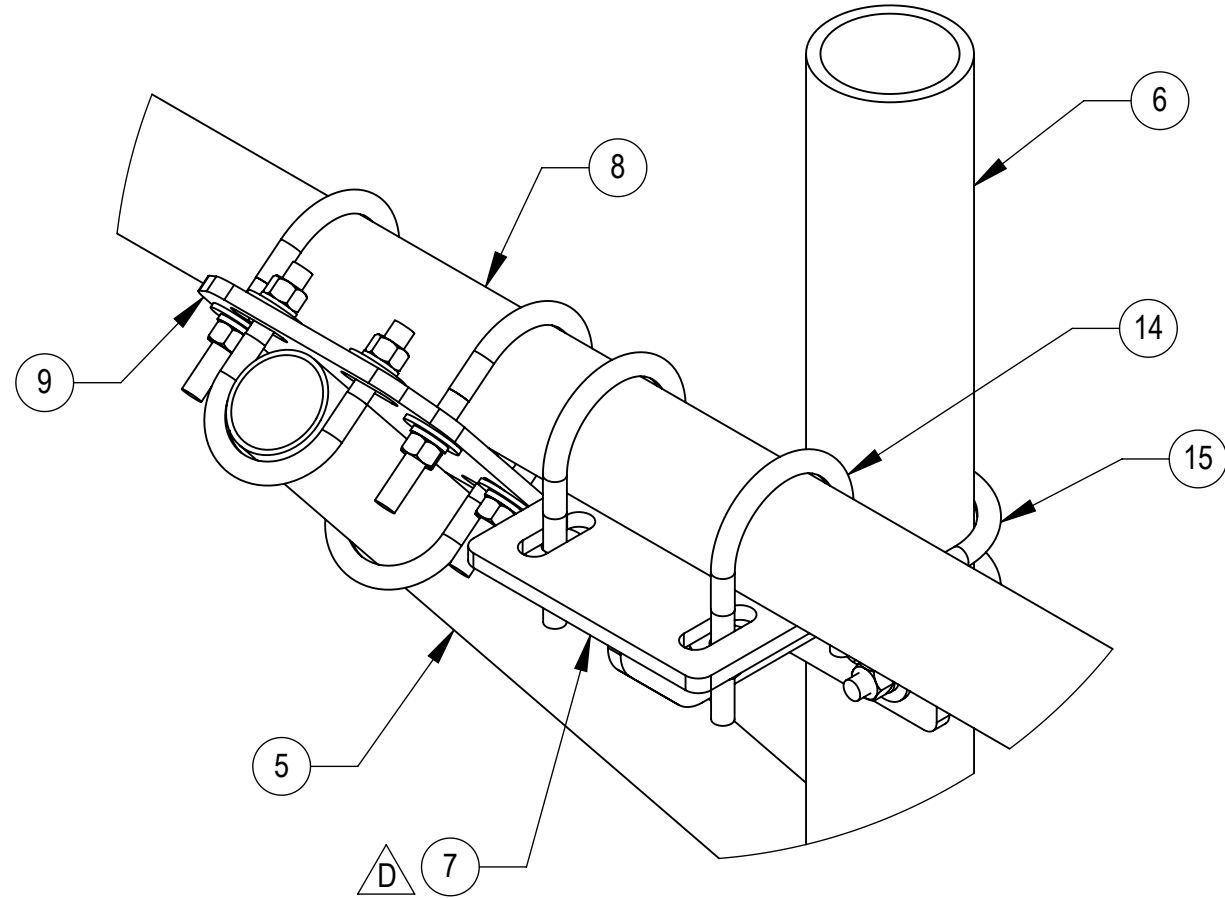
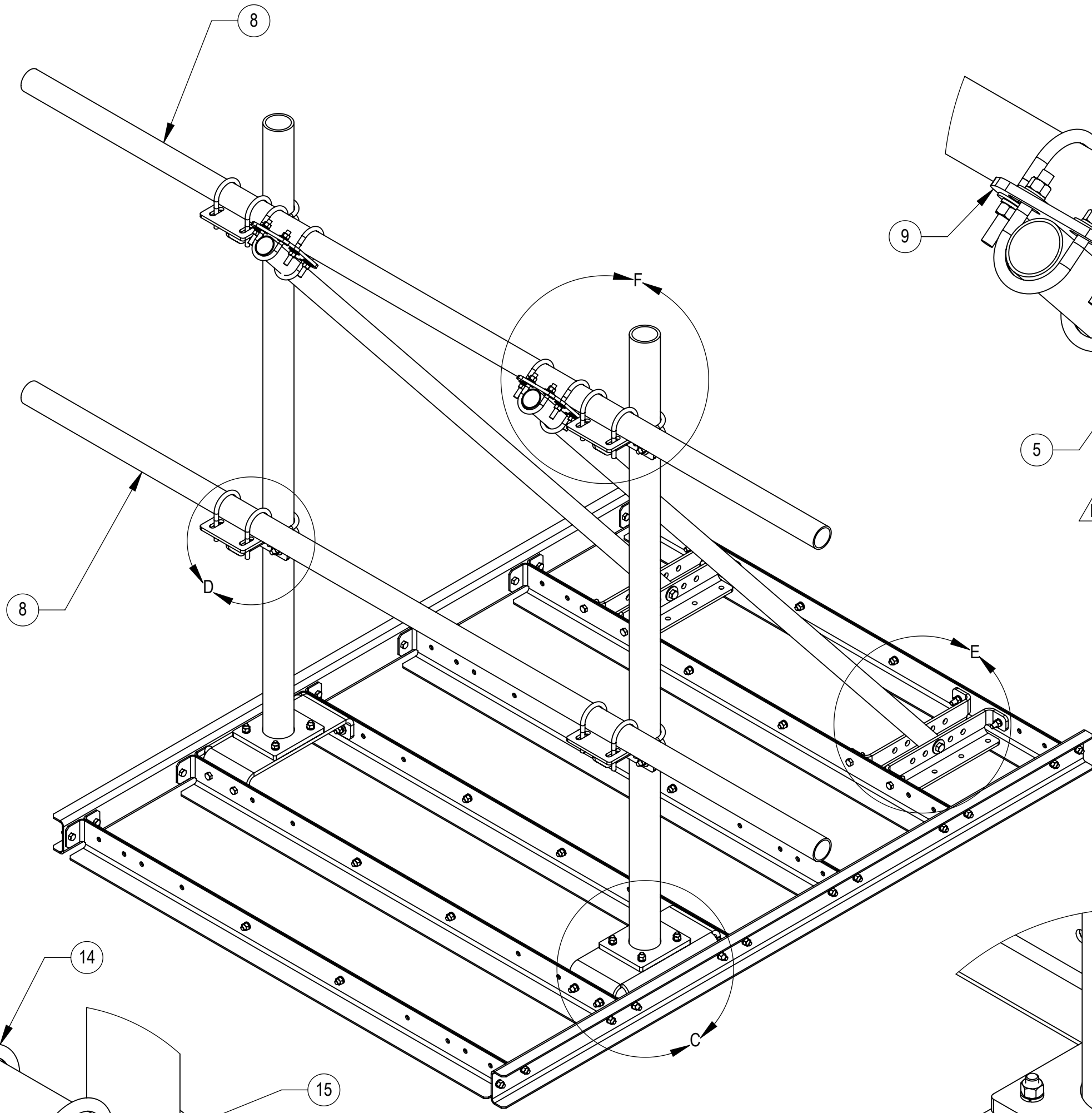
2

1

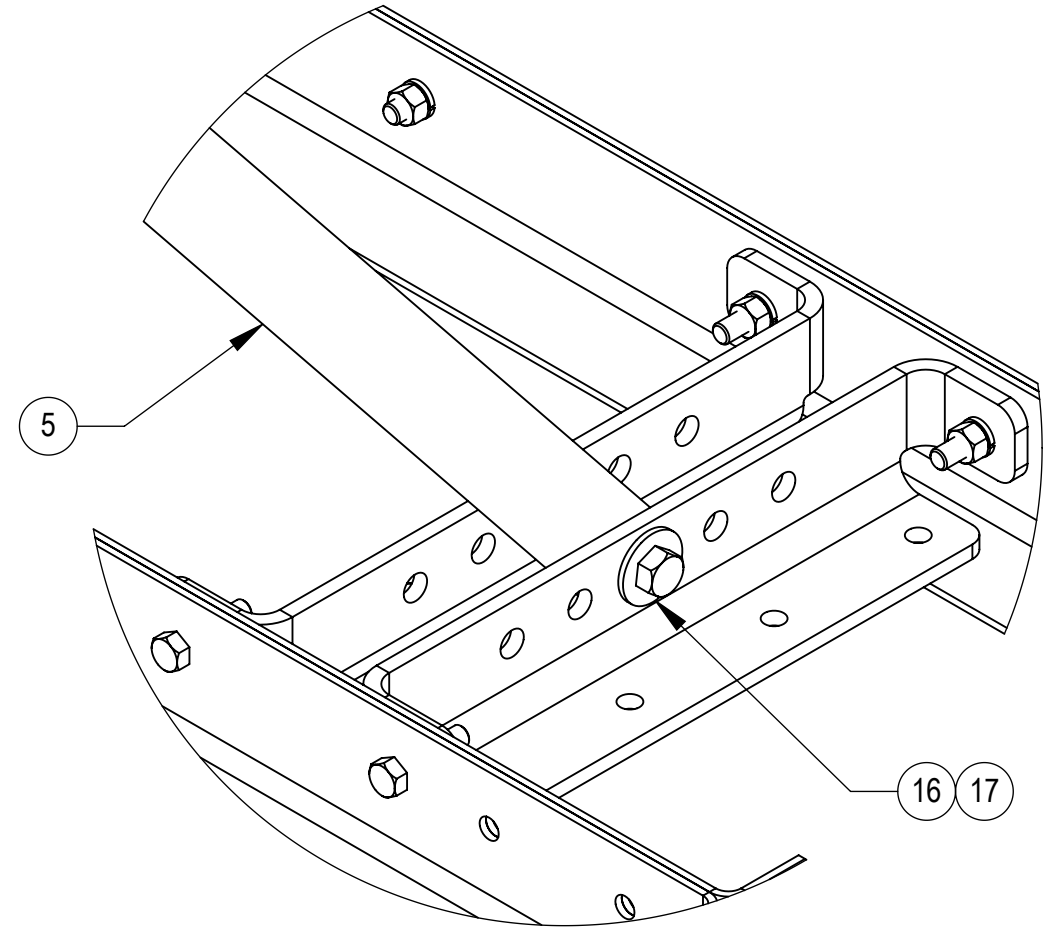
NOTES:

ASSEMBLY STEP 3:

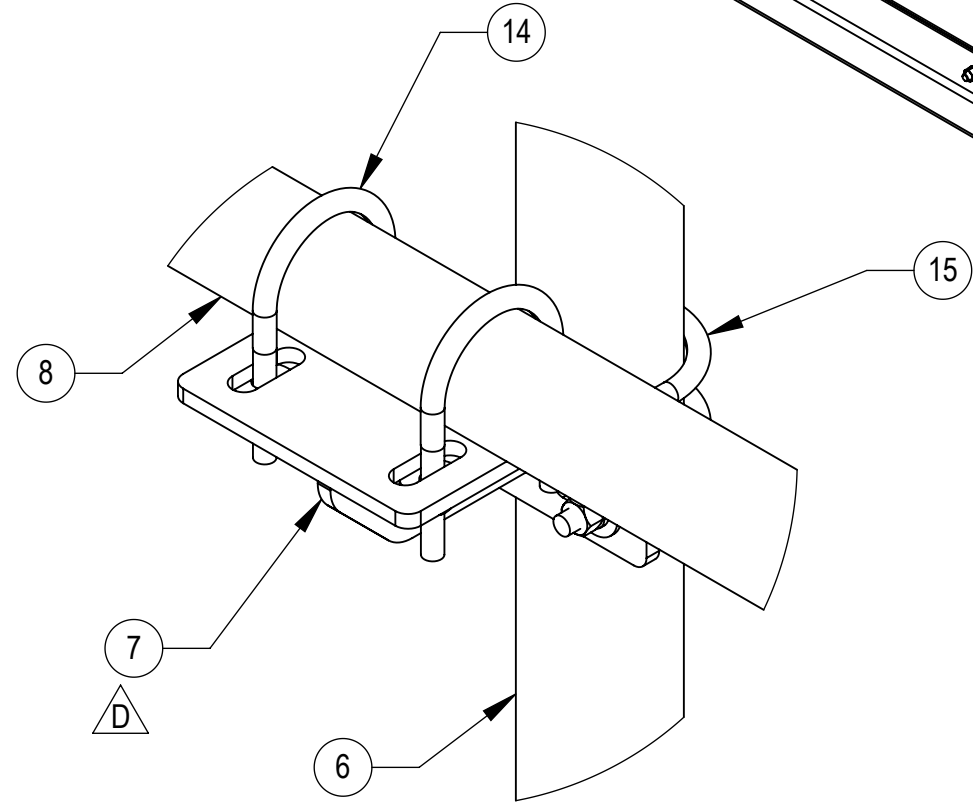
- A) ASSEMBLE WELDMENT, ROOF TOP VERTICAL PIPE (RTNF110) TO TRAY ASSEMBLY USING 1/2" X 2" BOLT KIT (GB-04205) (SEE DETAIL C).
- B) ATTACH FACE PIPES TO ASSEMBLY USING WELDMENT, FACE PIPE L BRACKET (RTNF114) AND 1/2" X 3" X 5-1/4" U-BOLTS (GUB-4352) AND 1/2" X 3-5/8" X 5" U-BOLT (GUB-4355) (SEE DETAIL D).
- C) ASSEMBLE PIPE, ROOF TOP TIEBACK (RTNF108) TO TRAY ASSEMBLY USING 5/8" X 5" BOLT KIT (GB-05505) AND 5/8" FLAT WASHER (GWF-05) (SEE DETAIL E).
- D) ASSEMBLE PIPE, ROOF TOP TIEBACK (RTNF108) TO FACE PIPE USING CROSSOVER PLATE KIT (XP-2025) (SEE DETAIL F).



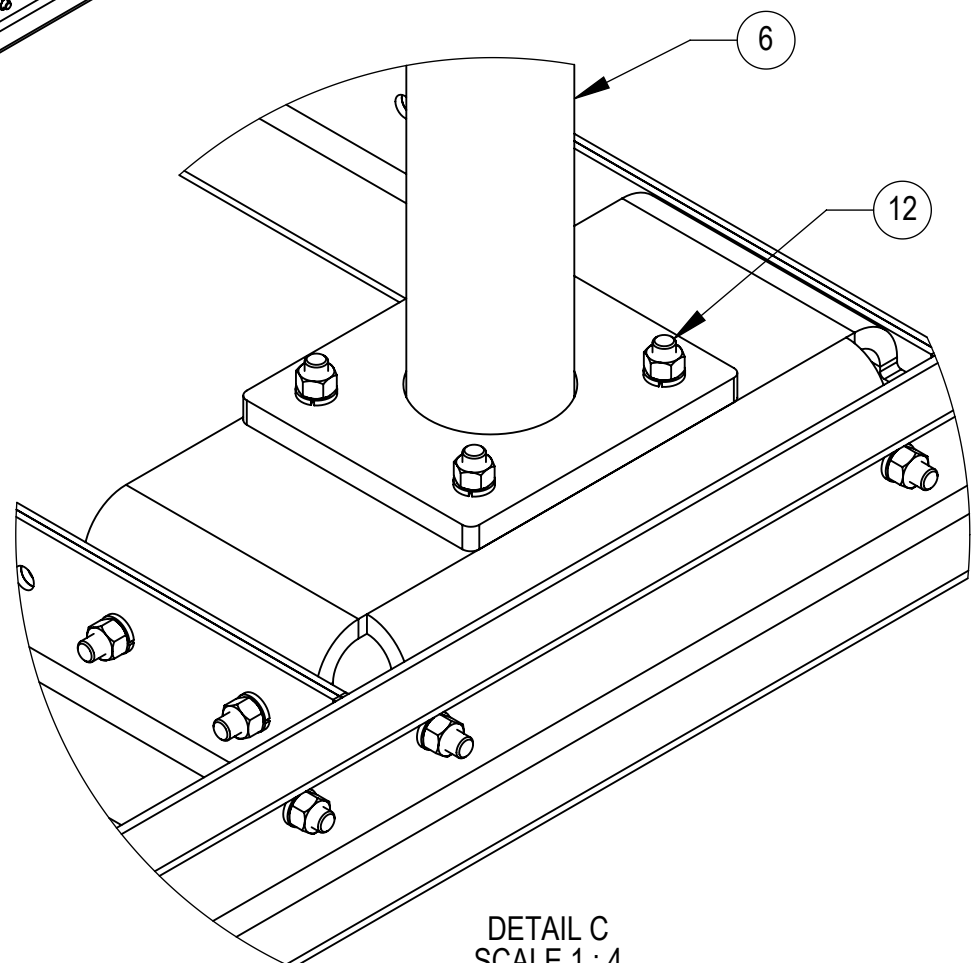
DETAIL F
SCALE 1 : 4



DETAIL E
SCALE 1 : 4



DETAIL D
SCALE 1 : 4



DETAIL C
SCALE 1 : 4

RT-NF10-3-126 SHOWN

COMMSCOPE, INC. OF NORTH CAROLINA

TITLE			
NON-PENETRATING ROOF FRAME			

SIZE	SCALE	DOCUMENT NO.		
C	1:12	RT-NF		
		DRAWING		
VERSION	STATUS	REVISION	SHEET	
07	RE	D	6 OF 7	

© 2019 CommScope, Inc. Confidential

4

3

2

1

4

3

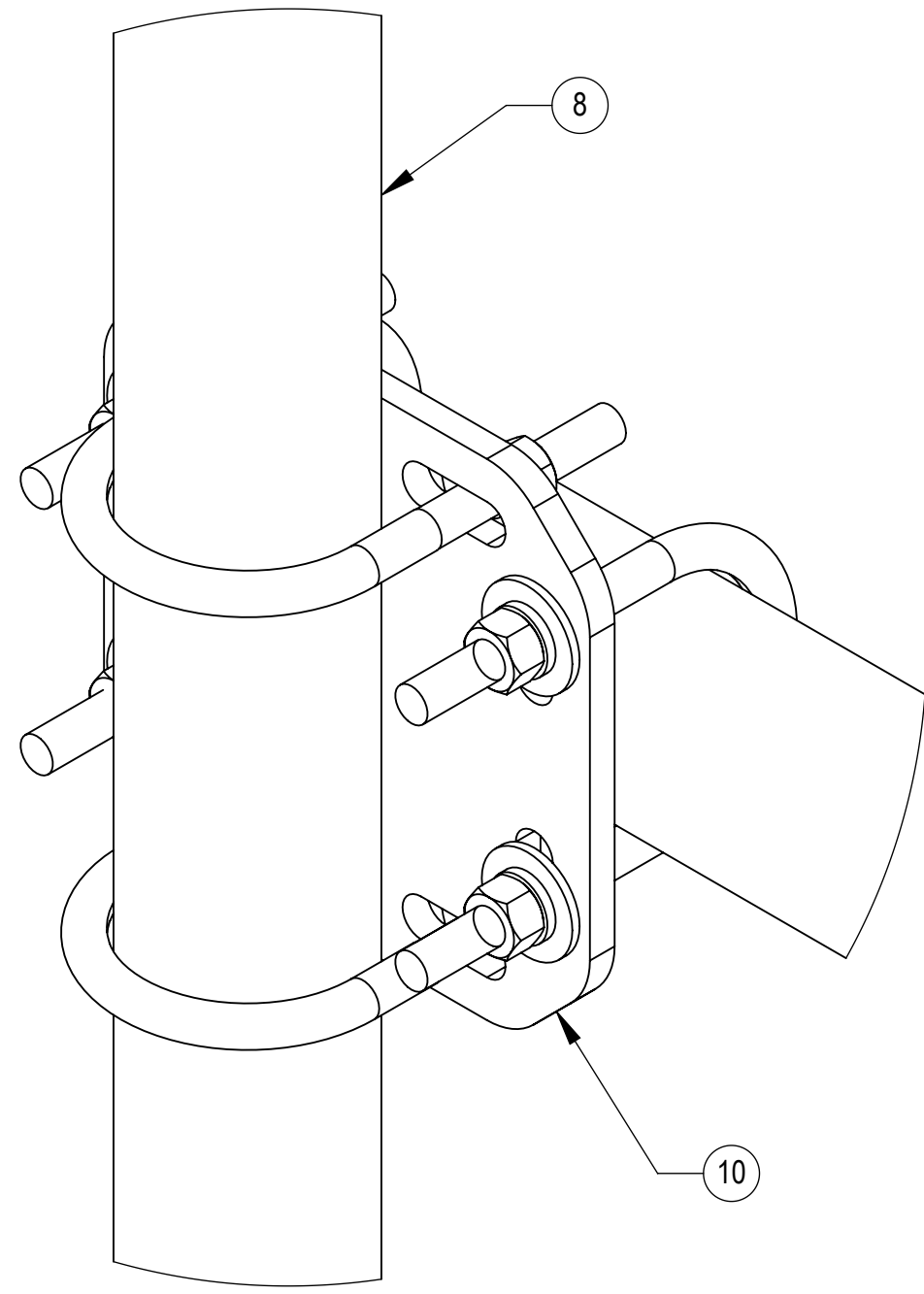
2

1

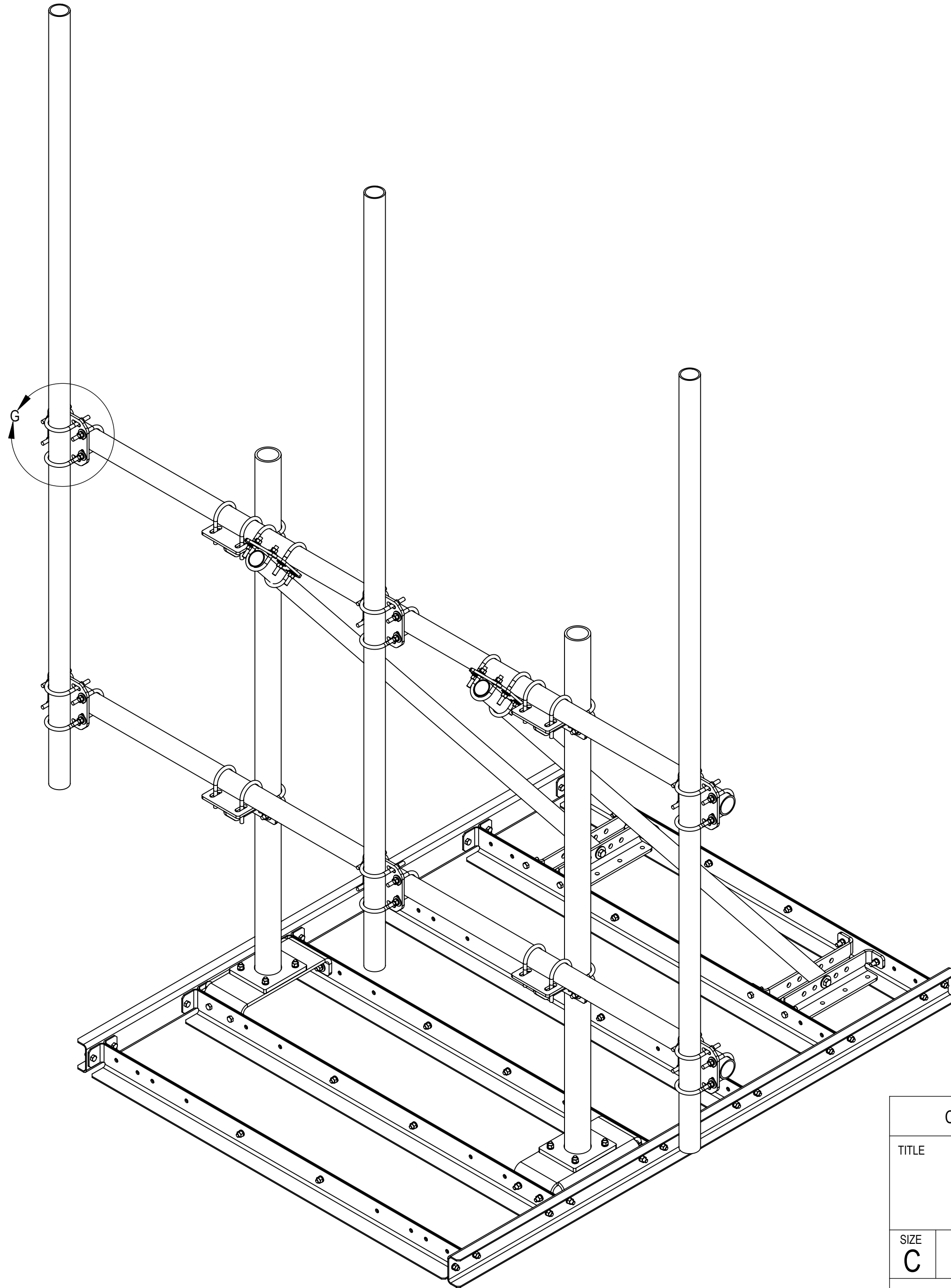
NOTES:

ASSEMBLY STEP 4:

A) ASSEMBLE ANTENNA PIPES TO FACE PIPE USING CROSSOVER PLATE KIT (XP-2525) (SEE DETAIL G).



DETAIL G
SCALE 1:2


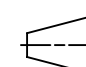


RT-NF10-3-126 SHOWN

COMMSCOPE, INC. OF NORTH CAROLINA

TITLE			
NON-PENETRATING ROOF FRAME			

SIZE C	SCALE 1:12	DOCUMENT NO. RT-NF	
------------------	----------------------	-----------------------	--

 	DRAWING			SHEET 7 OF 7
	VERSION 07	STATUS RE	REVISION D	

© 2019 CommScope, Inc. Confidential

4

3

2

1

D

D

C

C

B

B

A

A