

1.0 GENERAL NOTES

- 1.1 ALL METRIC DIMENSIONS ARE IN BRACKETS [X. X]
- 1.2 FOR PATENT INFO: <https://www.cs-pat.com>

2.0 DESIGN NOTES

2.1 ANY HAZARDS OR OBSTRUCTIONS TO THE CLIMBING FACILITY AND SAFETY CLIMB MUST BE IDENTIFIED PRIOR TO INSTALLING THE APPURTENANCE. ADDITIONAL PRODUCTS MAY BE REQUIRED TO MAINTAIN THE INTEGRITY OF THE SAFETY CLIMB. DURING INSTALLATION, TEMPORARY AND/OR PERMANENT PRECAUTIONARY MEASURES SHOULD BE TAKEN TO PRESERVE THE CLIMBING FACILITY AND/OR SAFETY CLIMB.

2.2 FITS MONOPOLES 15"-50" O.D.

3.0 MANUFACTURING/SPECIAL REQUIREMENTS

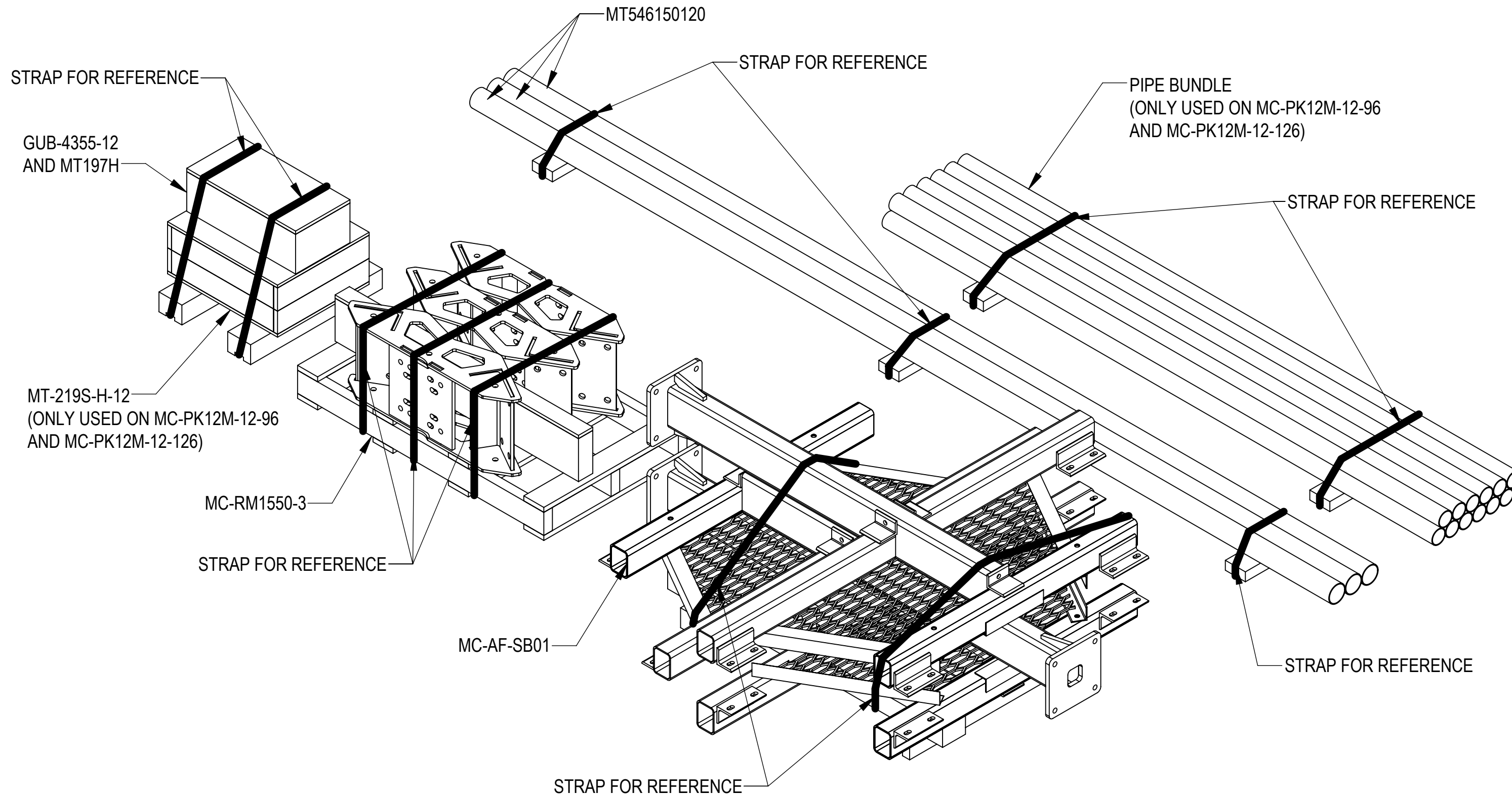
3.1 TIGHTEN ALL BOLTS SECURING FLAT PLATES BY THE TURN-OF-NUT METHOD. TIGHTEN ALL U-BOLTS USING TURN-OF-NUT METHOD WITH ATTENTION TO LEAVE EQUAL DISTANCE AND EQUAL FORCE ON EACH LEG OF THE U-BOLT.

4.0 TEST

5.0 PACKAGING

- 5.1 PACKAGING SHALL MEET COMMScope REQUIREMENTS PER DOCUMENT IS-PL-3005
- 5.2 PRINTED DOCUMENT TO BE PLACED INSIDE POLYBAG AND THEN IN SHIPPING CONTAINER
- 5.3 EXTRA HARDWARE MAYBE SUPPLIED, BAGGED AND SHIPPED

REVISIONS			
REV.	DESCRIPTION	DATE	APPROVED
A	INITIAL RELEASE	DRR 26AUG16	BCAMPBELLCON 8000015873
B	UPDATED SNUB NOSE WELDMENT AND PIPE MOUNT PLATE	MRC 17MAR20	BCAMPBELLCON 8000039693
C	FACE PIPES CHANGED FROM 3.5" OD TO 2.875" OD, T-ARM CHANGED FROM MCPK12M01 TO MC-AF-1100-00, BOM STRUCTURE MODIFIED	YMENG 04NOV22	BA1025 40159799CMO

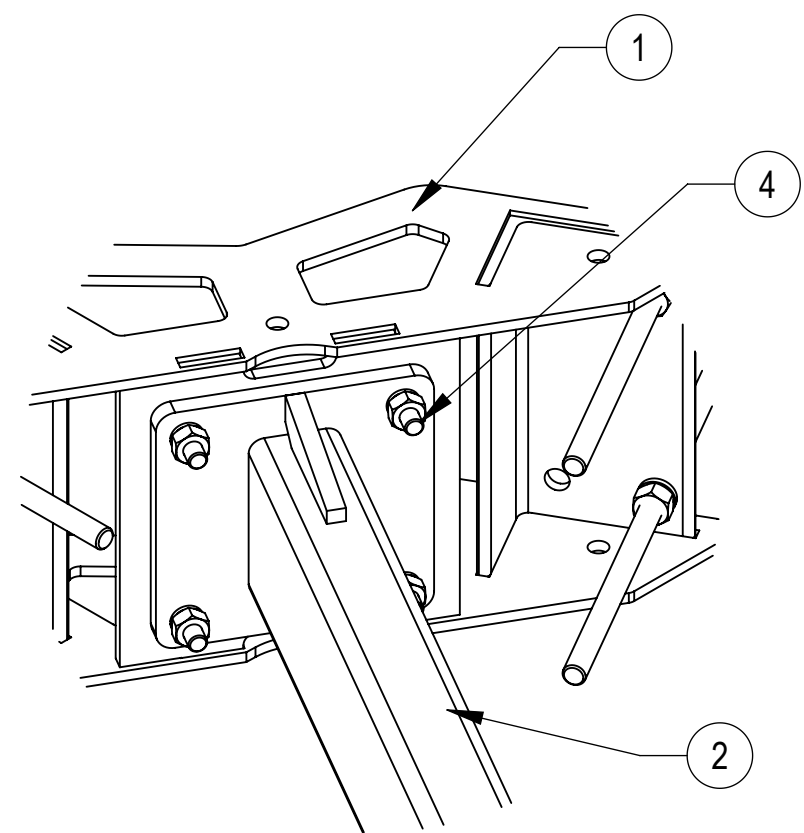


PART NO.	DESCRIPTION	PIPE BUNDLE
MC-PK12M-B	LOW PROFILE PLATFORM 15"-50"	-
MC-PK12M-12-96	LOW PROFILE PLATFORM 15"-50" 12 96 PIPE	MT-651-96
MC-PK12M-12-126	LOW PROFILE PLATFORM 15"-50" 12 126 PIPE	MT-537

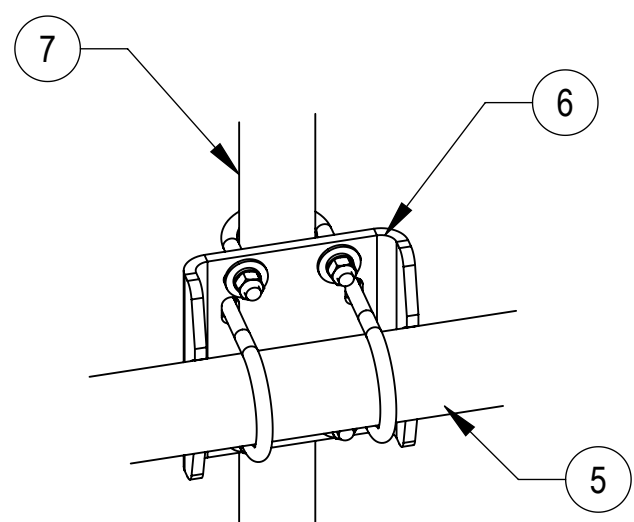
DENSITY	lbs/in ³
MASS	lbs
VOLUME	in ³
SURFACE AREA	in ²
HEIGHT	
LENGTH	
WIDTH	

COMMScope, INC. OF NORTH CAROLINA

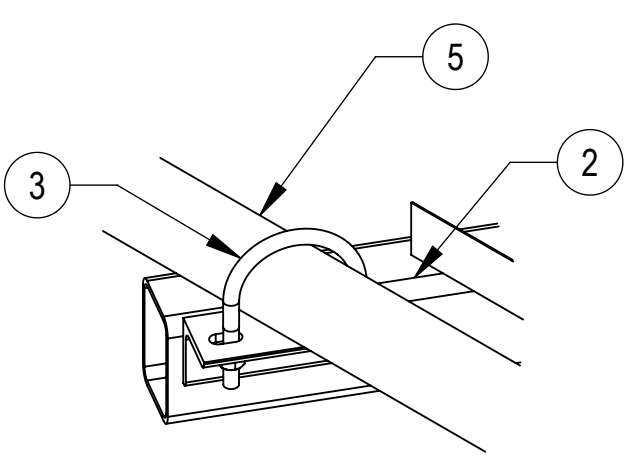
TOLERANCES		SAP MATERIAL MASTER						
0 PLACE X[X] ± 0.25[6.3]	2 PLACE .XX[X] ± 0.06[1.5]	SEE TABLE						
1 PLACE .X[X] ± 0.12[3.0]	ANGLES ± 2°							
FINISH		MATERIAL						
UNLESS OTHERWISE SPECIFIED DIMENSIONS ARE IN INCHES INTERPRET PER ANSI Y 14.5M-1994		NAME	DATE	TITLE				
		CE DRR	03/28/16	12' FACE LOW PROFILE PLATFORM ASSEMBLY				
		RW JL1183	02/13/2023					
		AD CB1094	02/13/2023					
		RE JL1183	02/16/2023					
ECN 40159799CMO								
SCALE	DOCUMENT NO.	MC-PK12M SERIES						
1:16								
SIZE	WORK AREA	INSL	MODEL	DRAWING		SHEET 1 OF 3		
C			VERSION	STATUS	REVISION		VERSION	STATUS
			00	RE	C	01	RE	C



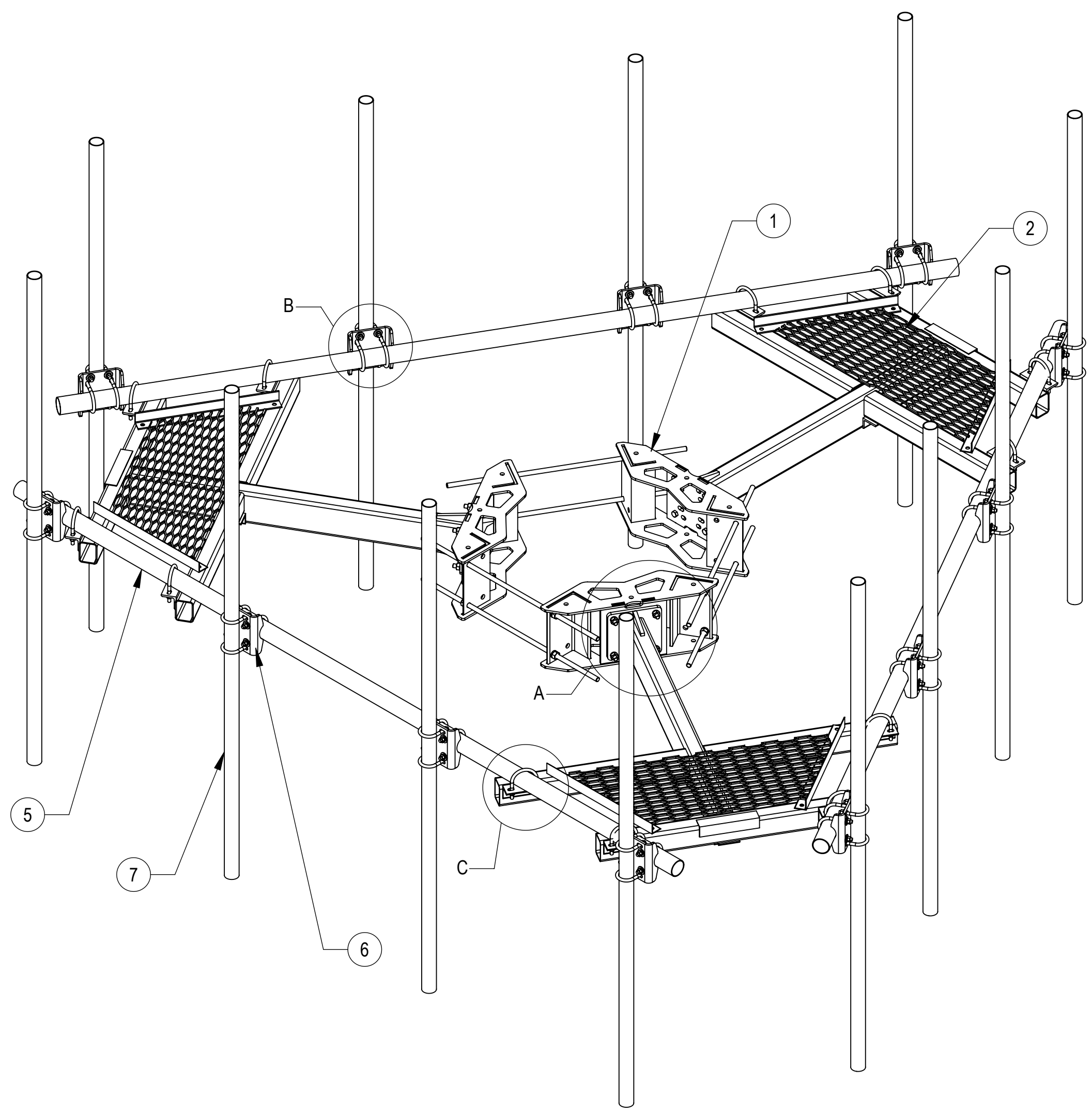
DETAIL A
SCALE 1 : 6



DETAIL B
SCALE 1 : 6



DETAIL C
SCALE 1 : 6



MC-PK12M-12-96 SHOWN FOR REFERENCE
(NOT ALL CONFIGURATIONS INCLUDE ALL ITEMS,
SEE NOTES IN TABLE)

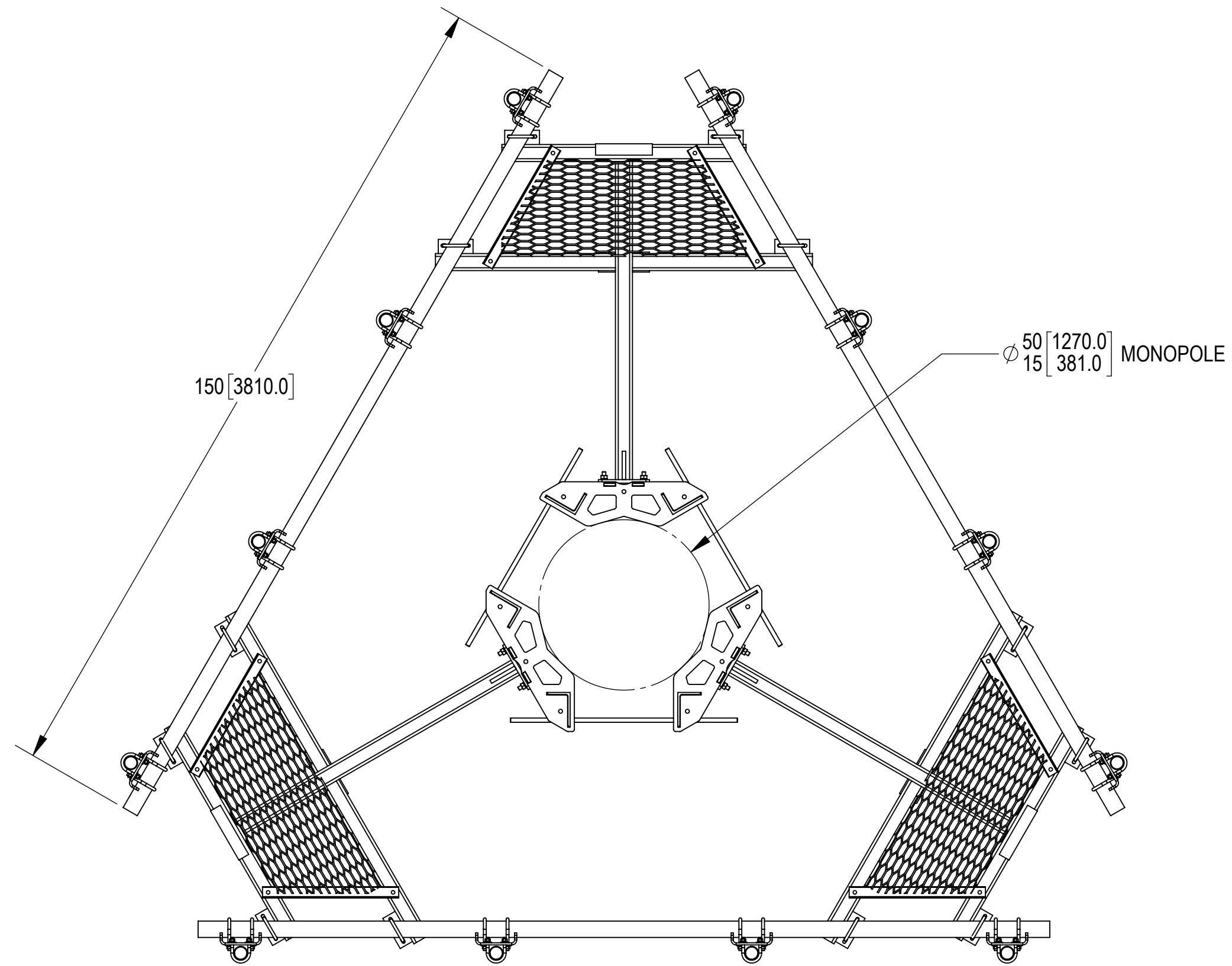
COMPONENT PART NUMBERS PROVIDED FOR ASSEMBLY PURPOSES;
INDIVIDUAL COMPONENTS MAY BE SHIPPED AS PARTS WITHIN AN INCLUDED KIT.

ITEM	PART NO.	DESCRIPTION	QTY.	NOTE
1	MC-RM1550-3	15" - 50" OD RINGMOUNT	1	
2	MC-AF-1100-00	WELDMENT, CO-LOCATION PLATFORM	3	
3	GUB-4355	1/2" X 3-5/8" X 5" GALV U-BOLT	12	
4	GB-0524A	5/8" X 2-1/2" GALV BOLT KIT (A325)	12	
5	MT546150120	2.88 OD X 150" LONG PIPE	3	
6	MT-219S-H	SADDLE PIPE MOUNTING KIT 2-3/7"X2-7/8"OD	12	NO FOR MC-PK12M-B
7	MT-651-96	2.375" OD X 96" PIPE	12	SEE TABLE1

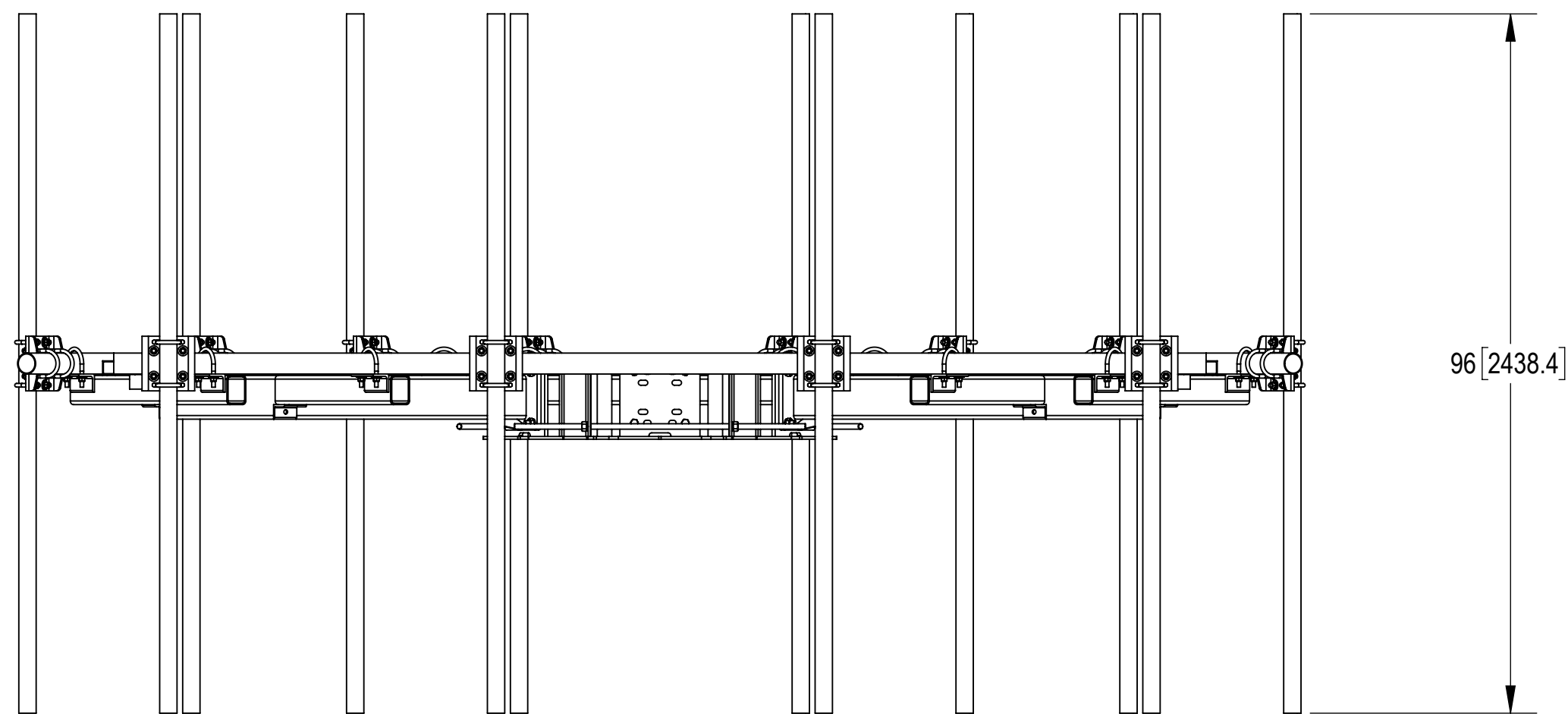
PART NO.	ANTENNA PIPE
MC-PK12M-B	-
MC-PK12M-12-96	MT-651-96
MC-PK12M-12-126	MT-537

COMMSCOPE, INC. OF NORTH CAROLINA				
TITLE 12' FACE LOW PROFILE PLATFORM ASSEMBLY				
SIZE C	SCALE 1:32	DOCUMENT NO. MC-PK12M SERIES		
DRAWING		VERSION	STATUS	REVISION
		03	RE	C
				SHEET 2 OF 3

© 2022 CommScope, Inc.



MC-PK12M-12-96 SHOWN FOR REFERENCE
 (NOT ALL CONFIGURATIONS INCLUDE ALL ITEMS,
 SEE NOTES IN TABLE)



COMMSCOPE, INC. OF NORTH CAROLINA				
TITLE 12' FACE LOW PROFILE PLATFORM ASSEMBLY				
SIZE C	SCALE 1:32	DOCUMENT NO. MC-PK12M SERIES		
		DRAWING		SHEET
		VERSION	STATUS	REVISION
		03	RE	C
				3 OF 3

