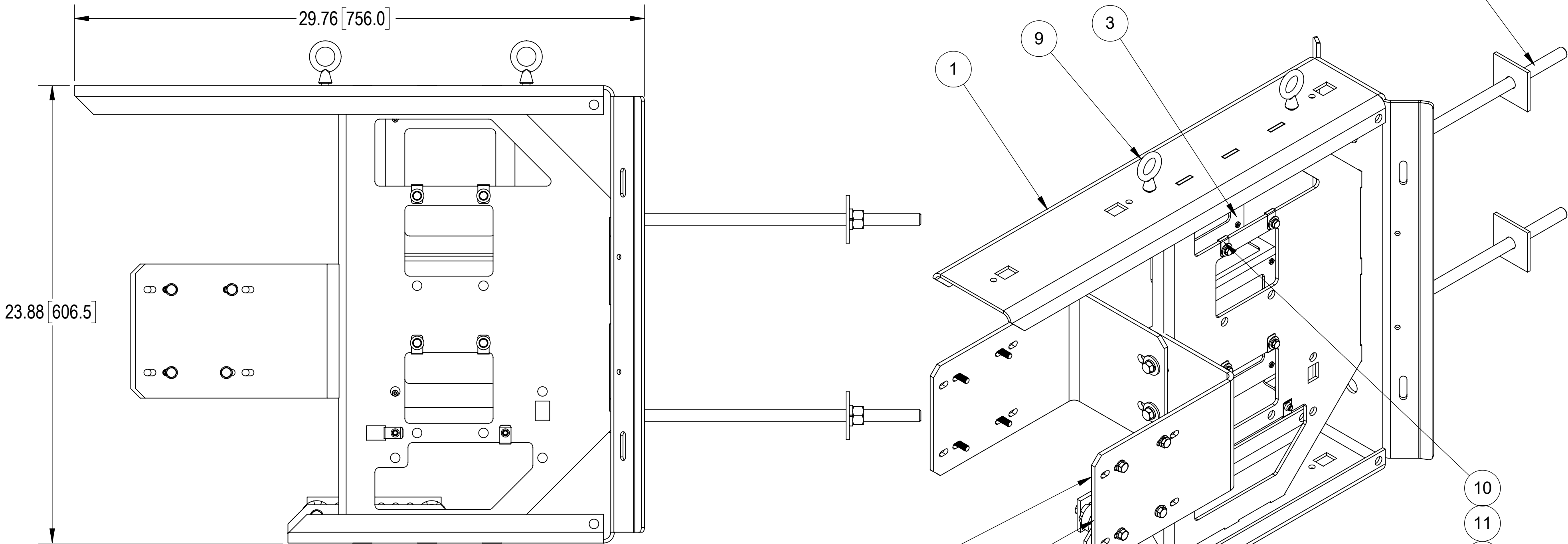


NOTES:

- 1. GENERAL NOTES
 - 1.1 ALL METRIC DIMENSIONS ARE IN BRACKETS.
 - 1.2 FEATURES CRITICAL TO QUALITY ARE INDICATED IN ROUNDED BOX (XX)
- 2. DESIGN NOTES
- 3. MANUFACTURING/SPECIAL REQUIREMENT
- 4. TEST
- 5. PACKAGING
 - 5.1 BAG AND TAG ITEMS INDICATED AND HARDWARE SHOWN.
PACKAGE IN BOX FOR CUSTOMER INSTALLATION USING PARTS AND HARDWARE PROVIDED AND AS SHOWN IN ASSEMBLY VIEWS.
 - 5.2 THIS PRINTED DOCUMENT TO BE PLACED INSIDE SHIPPING BOX FOR CUSTOMER REFERENCE.
 - 5.3 HARDWARE IS FOR CUSTOMER INSTALLATION SPARES MAY BE INCLUDED.
 - 5.4 OTHER BOX SIZES MAY BE SUBSTITUTED FOR ITEM SHOWN.

REVISIONS			
REV.	DESCRIPTION	DATE	APPROVED
A	INITIAL RELEASE	GR1010 09JAN19	AG1119 8000033836
B	REPLACED MTM1057-1102 WITH MTM1057-1104	DM1121 26JAN21	AG1119 8000045024
C	REPLACED 3014T954 WITH 9674-2, GWFM-8 WITH MTC9419, AND GWLM-8 WITH MTC9418	ZX1005 13AUG21	AG1119 14138PC
D	UPDATED VIEWS FOR MTM1057-1104 (ITEM2) CHANGES; ADDED CONFIGURE 3,4,5	DM1121 25JUN24	LX1002 40198498CMO



COMPONENT PART NUMBERS PROVIDED FOR ASSEMBLY PURPOSES;
INDIVIDUAL COMPONENTS MAY BE SHIPPED AS PARTS WITHIN AN INCLUDED KIT.

ITEM NO.	PART NUMBER	DESCRIPTION	BOM/QTY.	NOTE
1	MTM1057-1000	BRACKET, WOOD POLE MOUNT, COMBO	1	
2	MTM1057-1104	BRACKET,RRU MOUNT,HD	2	
3	MTM1057-1103	BRACKET, PSU MOUNT	1	
4	MTM1018PHW	METROCELL COMBO BRACKET, POLE MOUNT HARDWARE	1	
5	MTC388804	6 POSITION GROUND BAR 2" X 7", COPPER	1	
6	MT520	INSULATOR W/ 3/8" INSERT	2	
7	SWL-03	3/8" SS LOCK WASHER	4	
8	SB0305	3/8" X 5/8" SS BOLT	4	
9	9674-2	BOLT,EYE,3/8X0.75,STL	2	
10	460143456	CLIP NUT, M6, 316 SST	8	5.1,5.3
11	100525-71	WSHR,FLAT,M6,6.4X18X1.6,SST,PASS	8	5.1,5.3
12	100522-90	WSHR,LK,SPLT, M6,SST, PASS	8	5.1,5.3
13	MTC9414	BOLT, HEX HEAD M6 X20MM STAINLESSSTEEL	8	5.1,5.3
14	MTC978706	SS WASHER FLAT, M10	2	5.1,5.3
15	MTC978704	M10 SS LOCK WASHER	2	5.1,5.3
16	GB-03145	3/8" X 1-1/2" GALV BOLT KIT	2	5.1,5.3
17	MTC9419	M8 FLAT WASHER SS	8	5.1,5.3
18	MTC9418	M8 LOCK WASHER SS	8	5.1,5.3
19	MTC9415	M8 X 25mm HEX BOLT SS	8	5.1,5.3
9000	SSC-760239913NS	REFERENCE DOCUMENT	1	5.2

- 2
- 14
- 21
- 16
- 17
- 18
- 19
- 5
- 6
- 7
- 8

DENSITY	67.07	lbs/in ³
MASS	245.02	lbs
VOLUME	2641.64	in ³
SURFACE AREA	8.0[200.0]	in ²
HEIGHT	23.88[606.5]	
LENGTH	29.76[756.0]	
WIDTH	8.0[200.0]	

COMMSCOPE, INC. OF NORTH CAROLINA

TOLERANCES
 1 PLACE .X[X] ± 0.12[3.0] 3 PLACE .XXX[X] ± 0.040[1.0]
 2 PLACE .XX[X] ± 0.06[1.5] ANGLES ± 2°

SAP MATERIAL MASTER
SSC-760239913NS

FINISH: _____ MATERIAL: _____

NAME	DATE	TITLE
CE GR1010	15-JAN-201	WPB, ERC 8843,4449,4490,4890 NO SHROUD
RW DM1121	06/28/2024	
AD LX1002	07/01/2024	
RE DM1121	07/09/2024	
ECN 40198498CMO		

SCALE: **1:4** DOCUMENT NO.: **SSC-760239913NS**

SIZE	Auth Group	INSL	MODEL	DRAWING			SHEET		
C			VERSION	STATUS	REVISION	VERSION	STATUS	REVISION	1 OF 12
			03	RE	D	04	RE	D	

4

3

2

1

3. MANUFACTURING/SPECIAL REQUIREMENT

3.1 TIGHTEN HARDWARES, TORQUE VALUE ARE SHOWN BELOW AS REFERENCE,

M6: TORQUE 40.0 IN-LB OR 4.5 N-M (W/ CLIP NUT)

M6: TORQUE 46.0 IN-LB OR 5.2 N-M (W/ THREADED CAST AL)

M6: TORQUE 75.0 IN-LB OR 8.5 N-M (W/ STEEL NUT)

M8: TORQUE 6.6 FT-LB OR 9.0 N-M (W/ THREADED CAST AL)


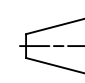
1/4-20: TORQUE 4.8 FT-LB OR 6.6 N-M

3/8-16: TORQUE 19.6 FT-LB OR 26.6 N-M

3.2 CONFIGURATIONS AND QUANTITY OF EQUIPMENTS IN INSTALLATION ARE LISTED ON TABLE.

3.3 SHROUD WILL NOT BE COMPATIBLE WITH THE CONFIGURES

ERICSSON CONFIGURATION	3.2 APPROVED ERICSSON RADIO CONFIGURATIONS						
	4449	8843	4490	4890	DIPLEXER 1923T-43	PSU AC08	PSU 6308
1	1				1	2	
2		1			1	2	
3.3 3			1	1	1	2	
3.3 4			1		1		1
3.3 5				1	1		1

COMMSCOPE, INC. OF NORTH CAROLINA				
TITLE METROCELL, WOODPOLE BRKT, FOR ERC RRU				
SIZE C	SCALE 1:4	DOCUMENT NO. SSC-760239913NS		
 		DRAWING		SHEET
		VERSION 04	STATUS RE	REVISION D

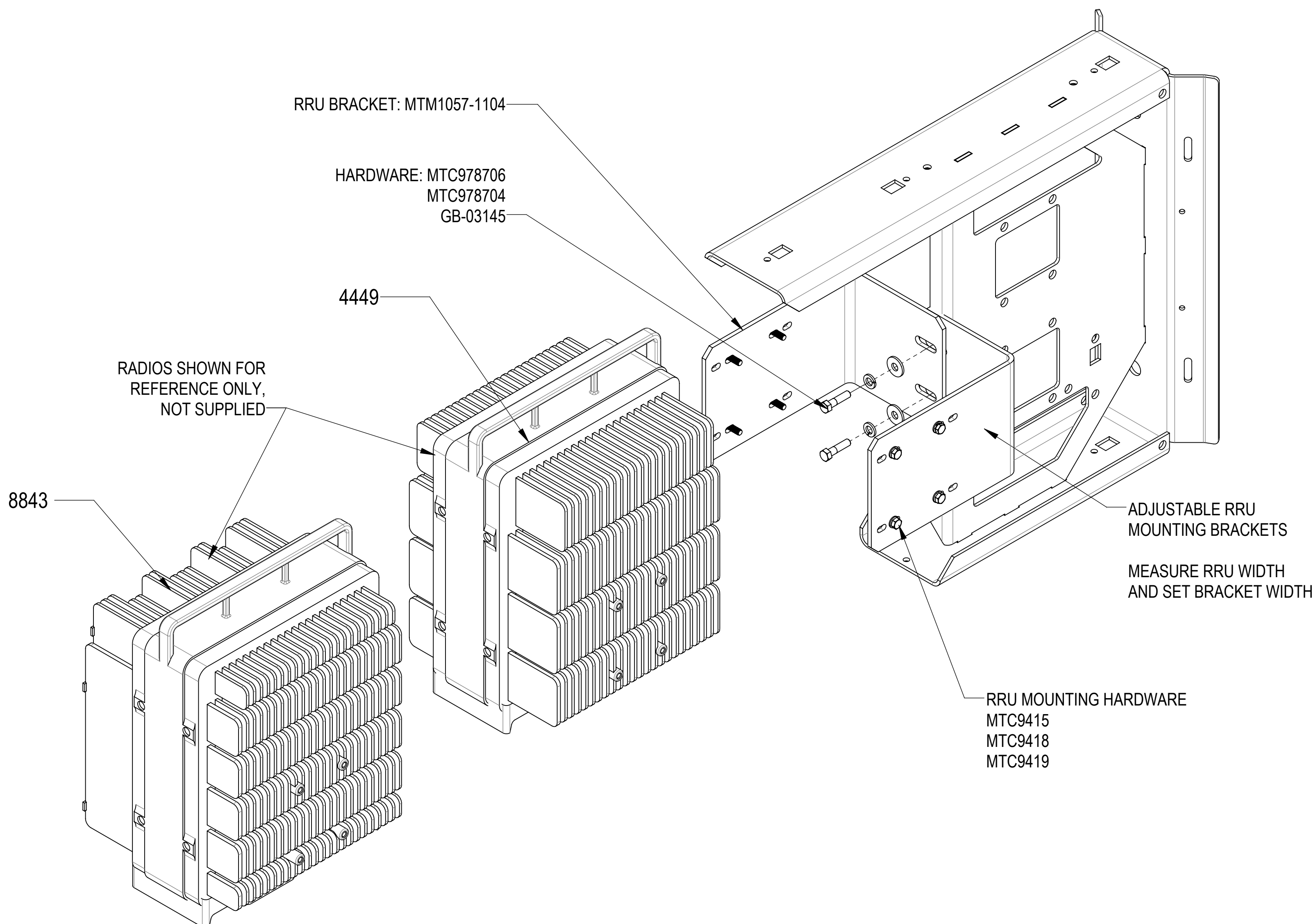
4

3

2

1

RADIO INSTALLATION



RRU BRACKET: MTM1057-1104

HARDWARE: MTC978706
MTC978704
GB-03145

4449

RADIOS SHOWN FOR
REFERENCE ONLY,
NOT SUPPLIED

8843

ADJUSTABLE RRU
MOUNTING BRACKETS

MEASURE RRU WIDTH
AND SET BRACKET WIDTH

RRU MOUNTING HARDWARE
MTC9415
MTC9418
MTC9419

8843 OR 4449 INSTALLATION

COMMSCOPE, INC. OF NORTH CAROLINA				
TITLE				
METROCELL, WOODPOLE BRKT, FOR ERC RRU				
SIZE	SCALE	DOCUMENT NO.		
C	1:4	SSC-760239913NS		
DRAWING				SHEET
VERSION	STATUS	REVISION	3 OF 12	
04	RE	D		

RADIO INSTALLATION

4490

4890

RRU MOUNTING HARDWARE
 MTC9415
 MTC9418
 MTC9419

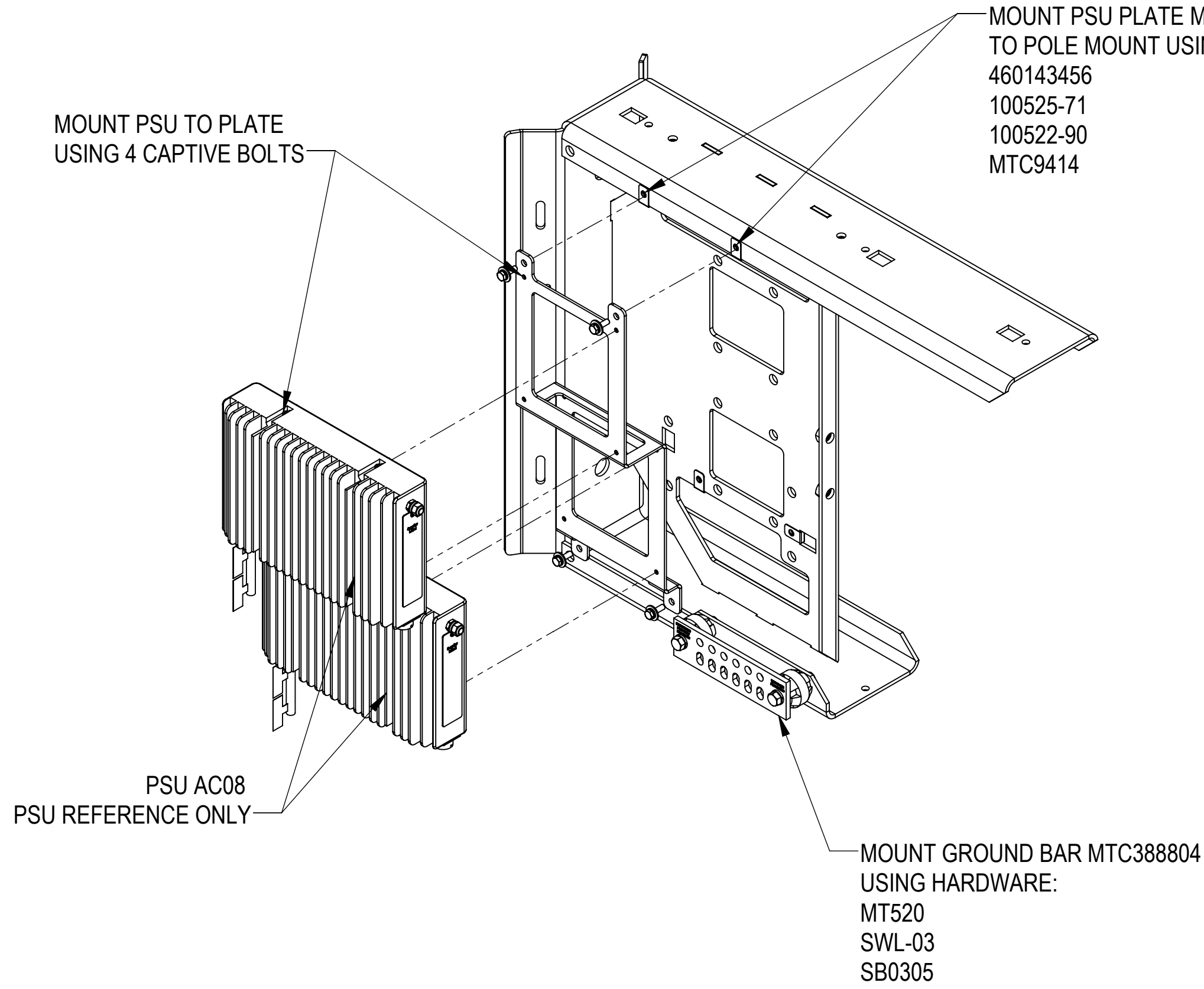
RRU BRACKET: MTM1057-1104

ERICSSON
 4890

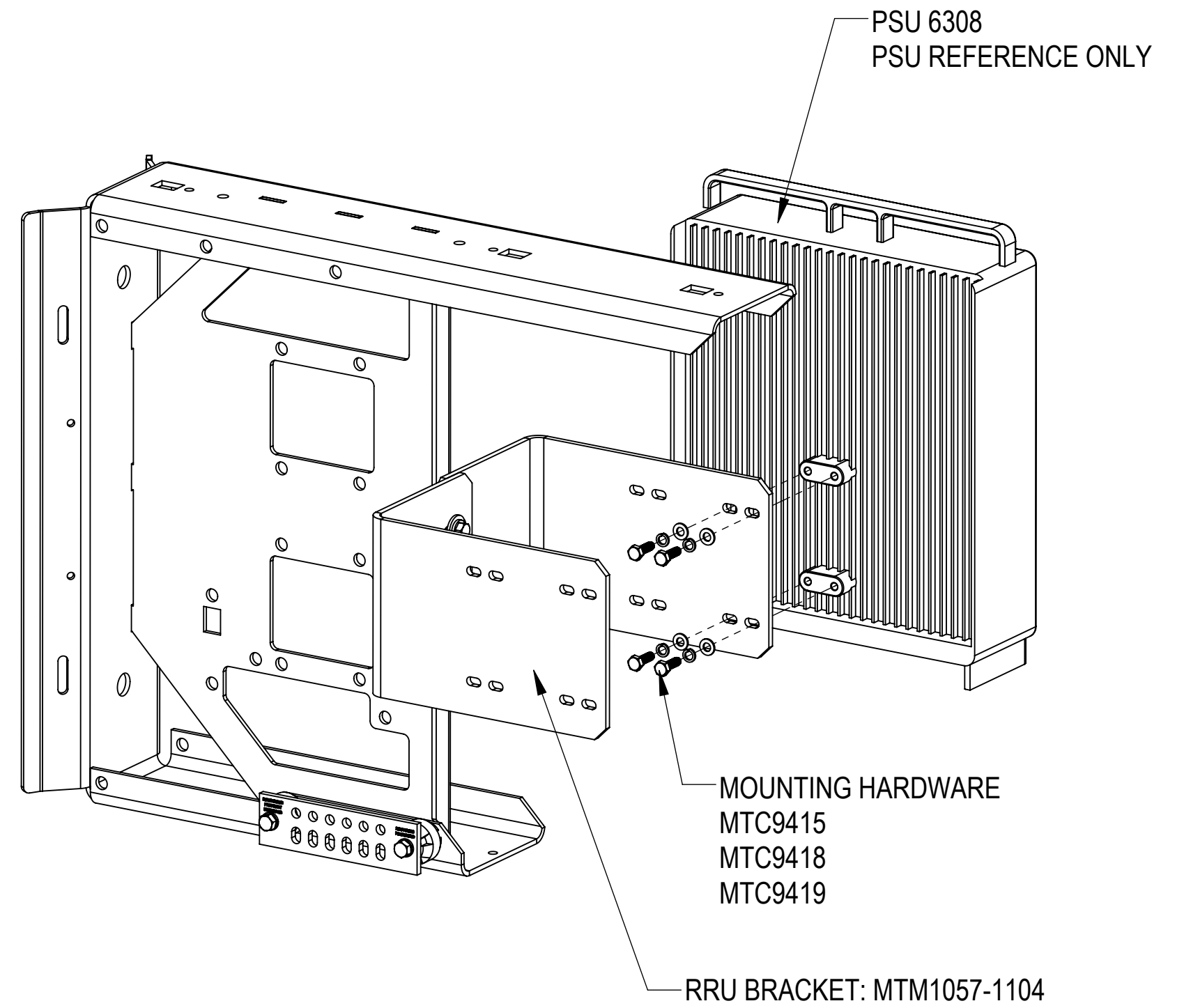
4490 AND 4890 INSTALLATION

COMMSCOPE, INC. OF NORTH CAROLINA				
TITLE METROCELL, WOODPOLE BRKT, FOR ERC RRU				
SIZE C	SCALE 1:4	DOCUMENT NO. SSC-760239913NS		
		DRAWING		SHEET
		VERSION	STATUS	REVISION
		04	RE	D
				4 OF 12

PSU INSTALLATION



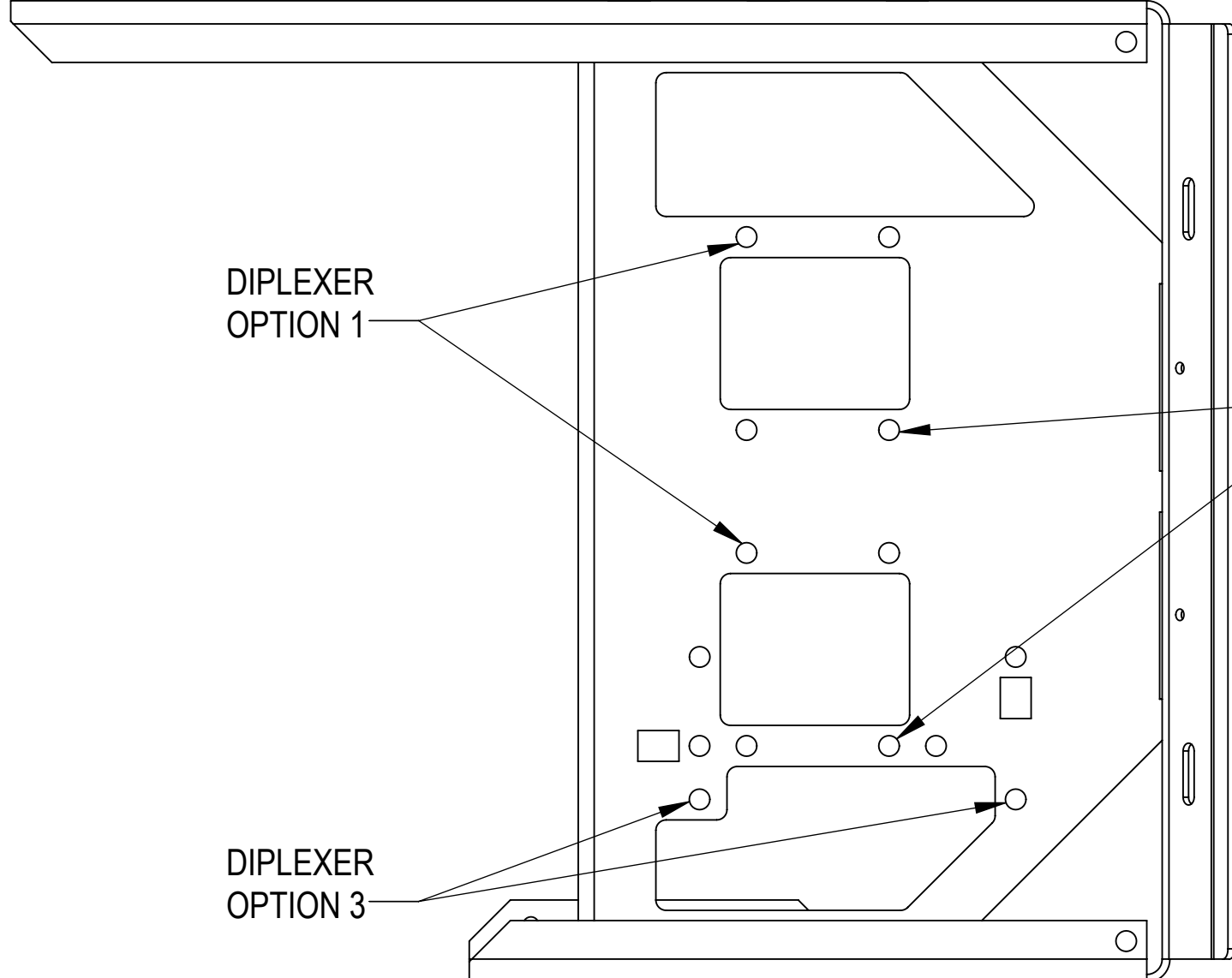
PSU AC08 INSTALLATION



6308 INSTALLATION

COMMSCOPE, INC. OF NORTH CAROLINA				
TITLE				
METROCELL, WOODPOLE BRKT, FOR ERC RRU				
SIZE	SCALE	DOCUMENT NO.		
C	1:4	SSC-760239913NS		
DRAWING				SHEET
VERSION	STATUS	REVISION	5 OF 12	
04	RE	D		

DIPLEXER INSTALLATION

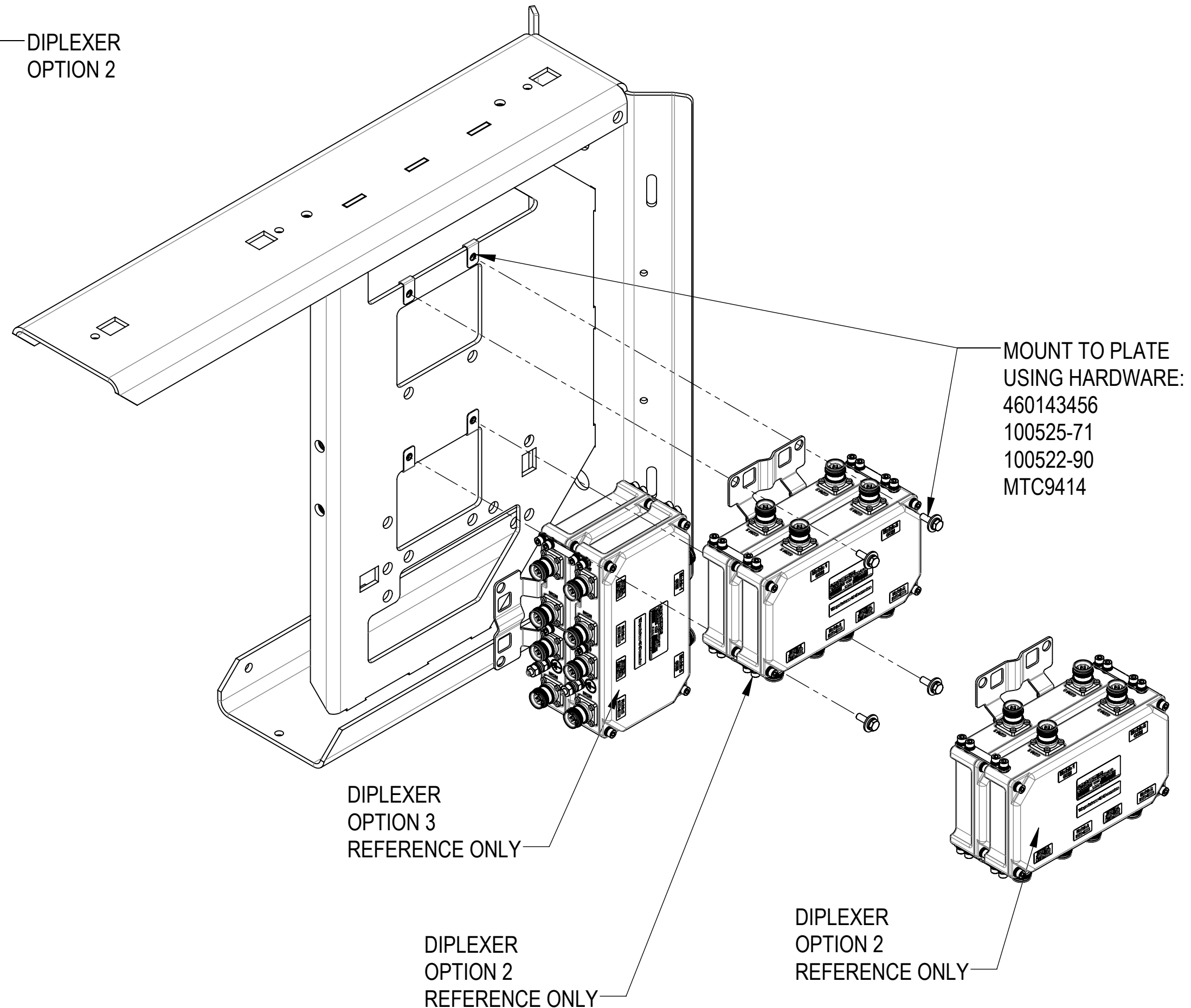


DIPLEXER
OPTION 1

DIPLEXER
OPTION 2

DIPLEXER
OPTION 3

DIPLEXER ORIENTATION



MOUNT TO PLATE
USING HARDWARE:
460143456
100525-71
100522-90
MTC9414

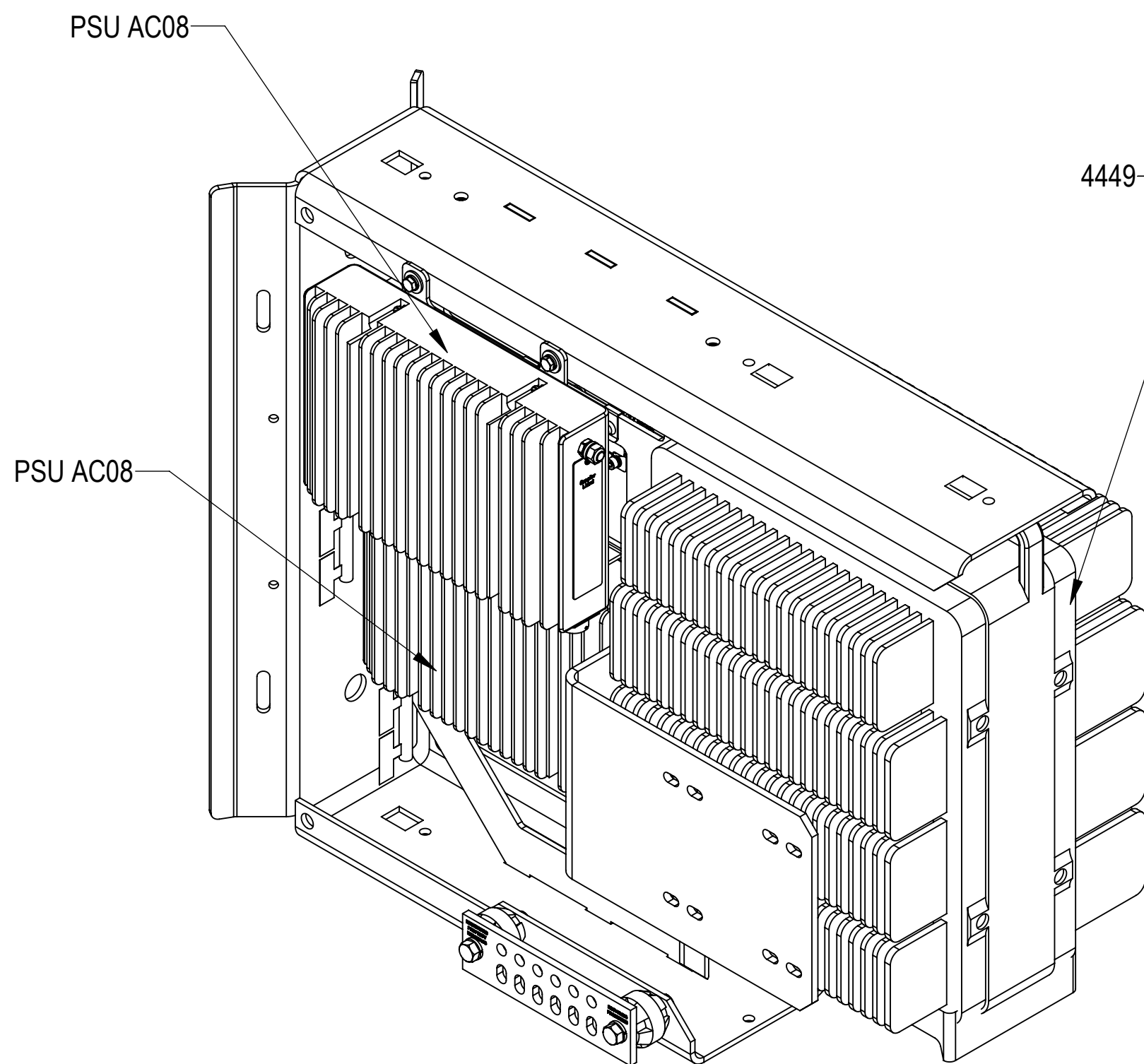
DIPLEXER
OPTION 3
REFERENCE ONLY

DIPLEXER
OPTION 2
REFERENCE ONLY

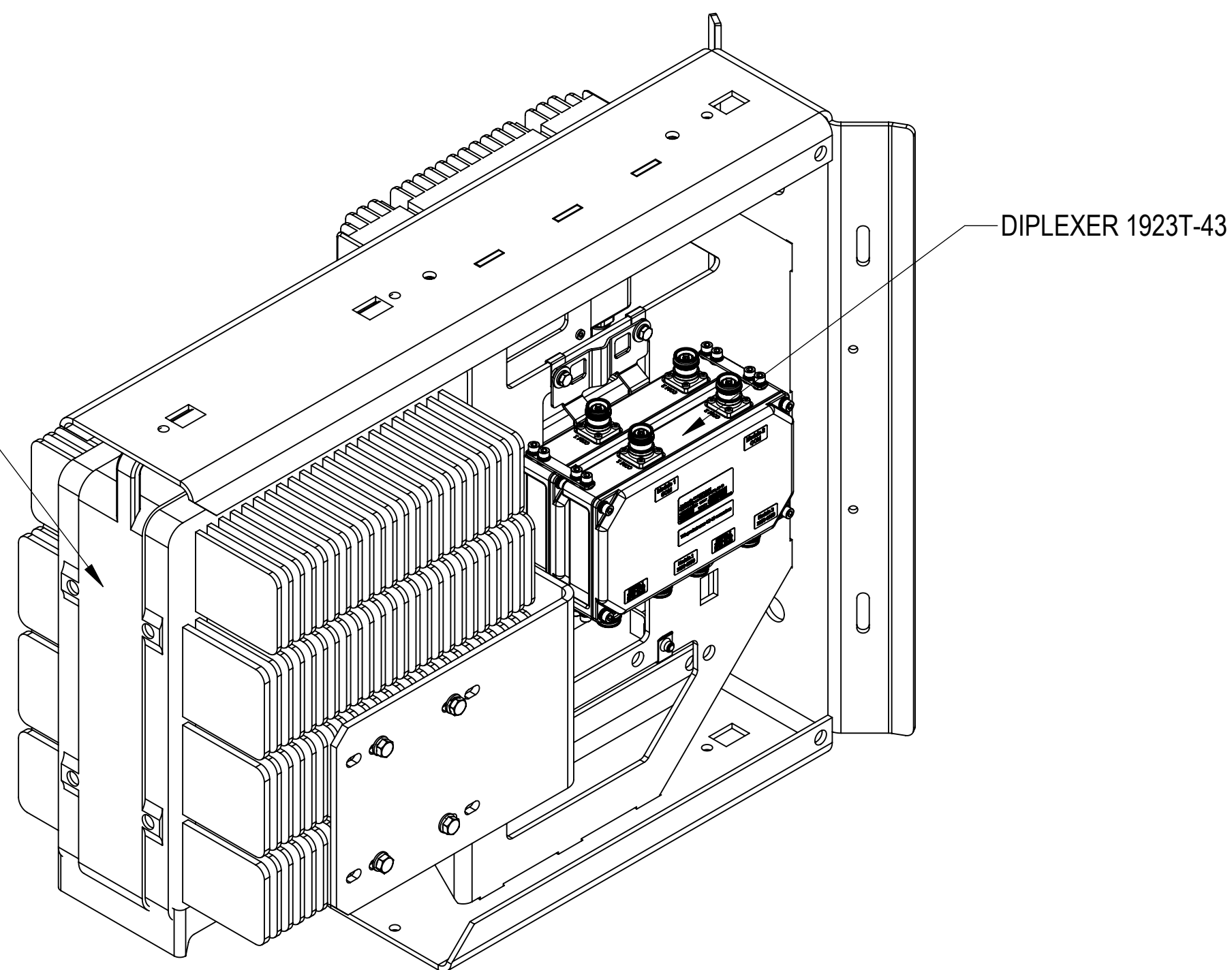
DIPLEXER
OPTION 2
REFERENCE ONLY

COMMSCOPE, INC. OF NORTH CAROLINA				
TITLE				
METROCELL, WOODPOLE BRKT, FOR ERC RRU				
SIZE	SCALE	DOCUMENT NO.		
C	1:4	SSC-760239913NS		
		DRAWING		SHEET
		VERSION	STATUS	REVISION
		04	RE	D
				6 OF 12

C1- 4449, 2X PSU AC08 AND DIPLEXER 1923T-43



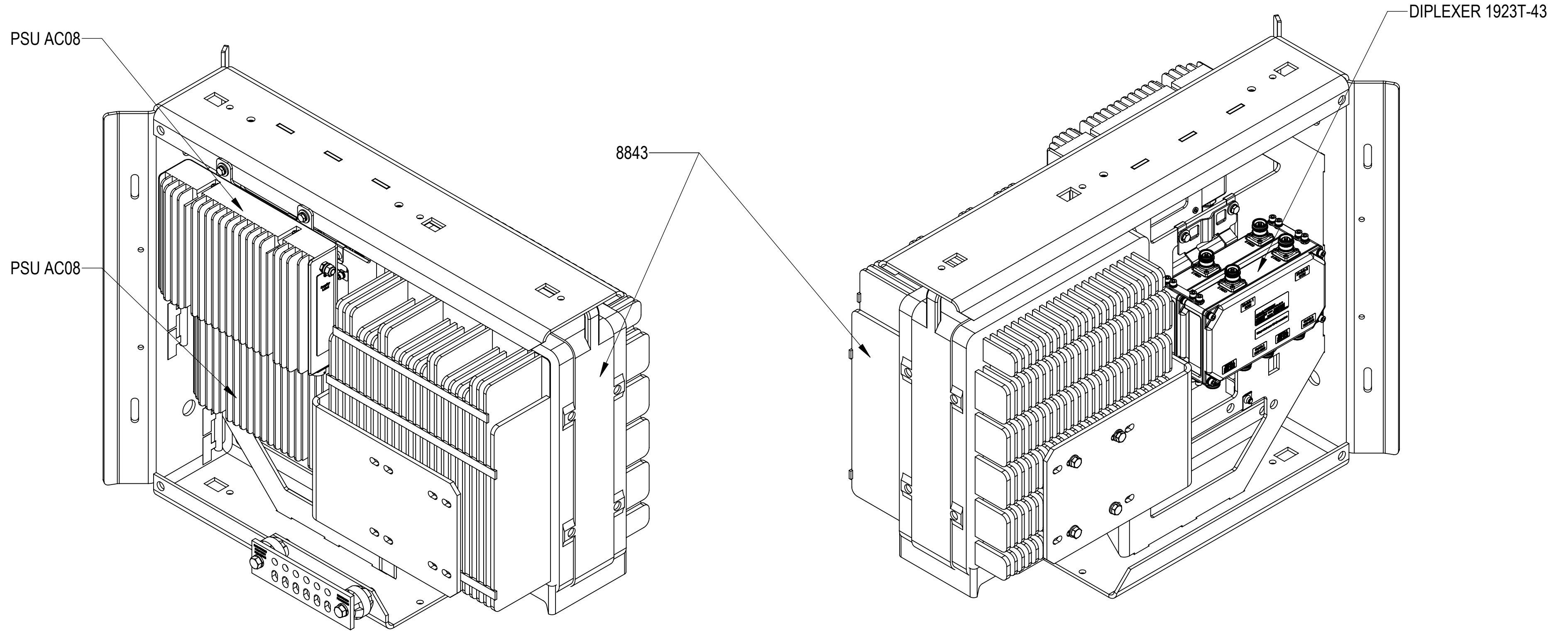
LEFT VIEW



RIGHT VIEW

COMMSCOPE, INC. OF NORTH CAROLINA				
TITLE				
METROCELL, WOODPOLE BRKT, FOR ERC RRU				
SIZE	SCALE	DOCUMENT NO.		
C	1:4	SSC-760239913NS		
DRAWING				SHEET
VERSION	STATUS	REVISION	7 OF 12	
04	RE	D		

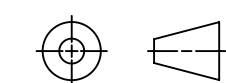
C2- 8843, 2X PSU AC08 AND DIPLEXER 1923T-43



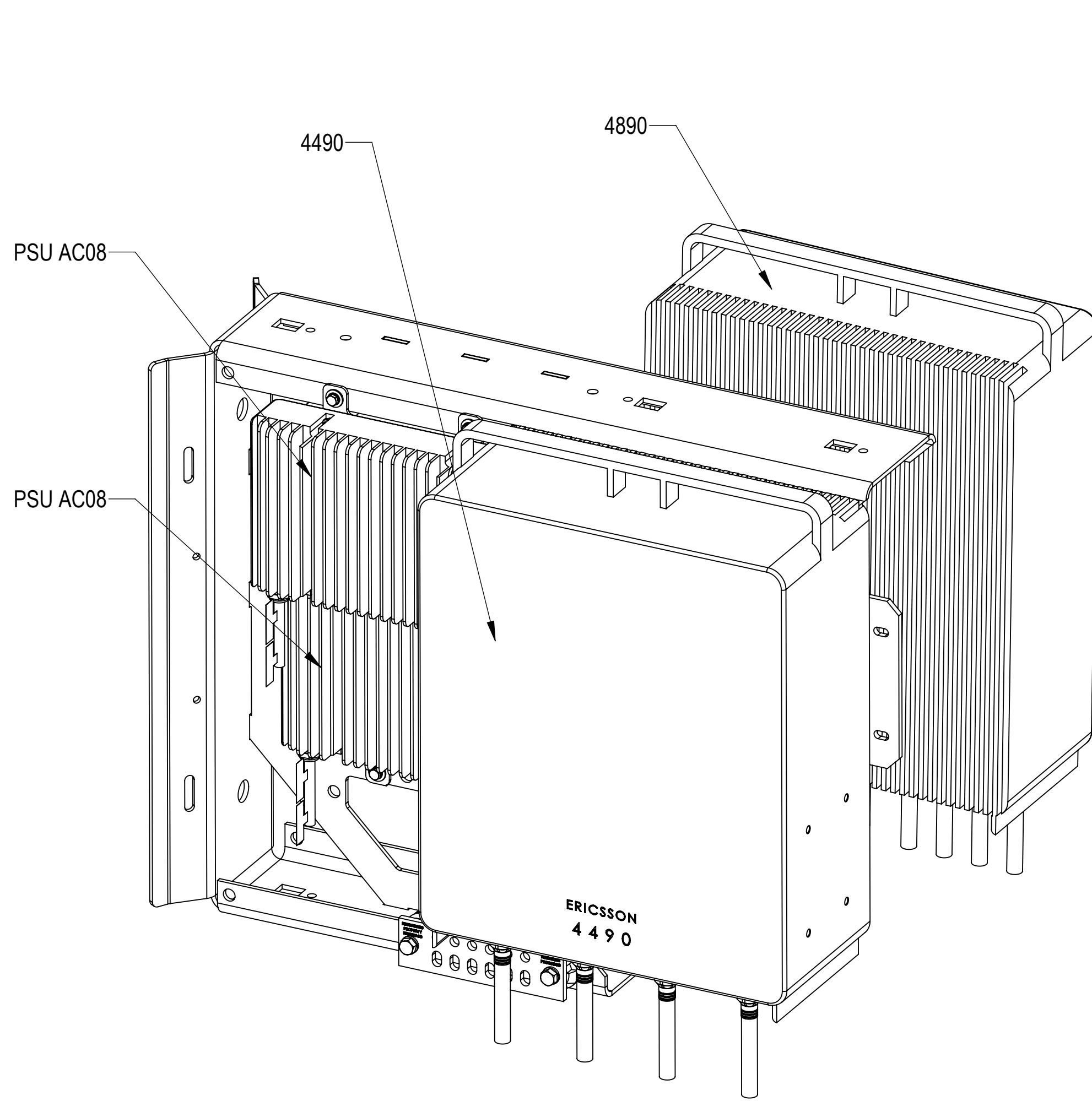
LEFT VIEW

RIGHT VIEW

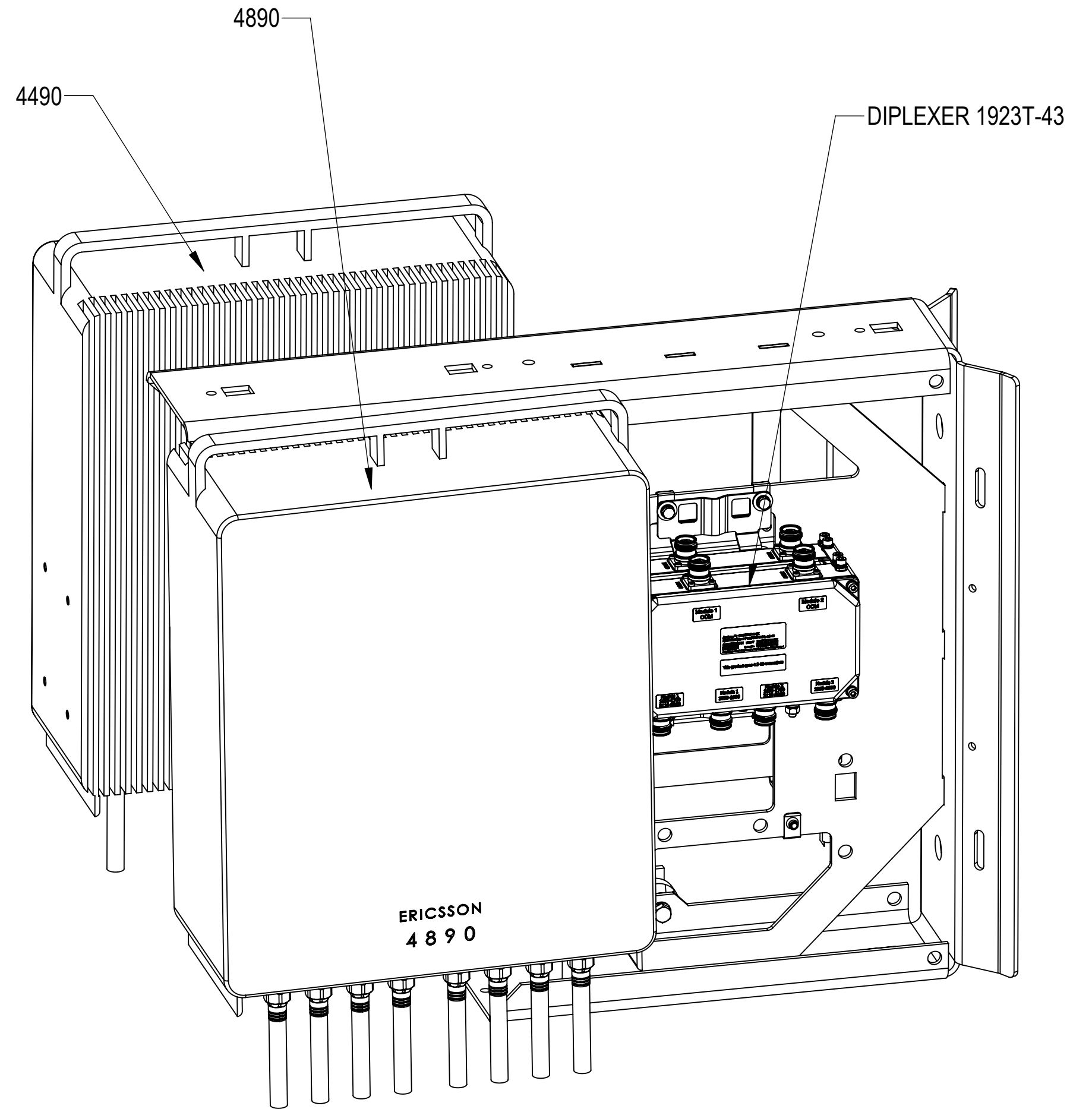
COMMSCOPE, INC. OF NORTH CAROLINA				
TITLE				
METROCELL, WOODPOLE BRKT, FOR ERC RRU				
SIZE	SCALE	DOCUMENT NO.		
C	1:4	SSC-760239913NS		
		DRAWING		
		VERSION	STATUS	REVISION
		04	RE	D
				SHEET
				8 OF 12



C3- 4490, 4890, 2X PSU AC08 AND DIPLEXER 1923T-43



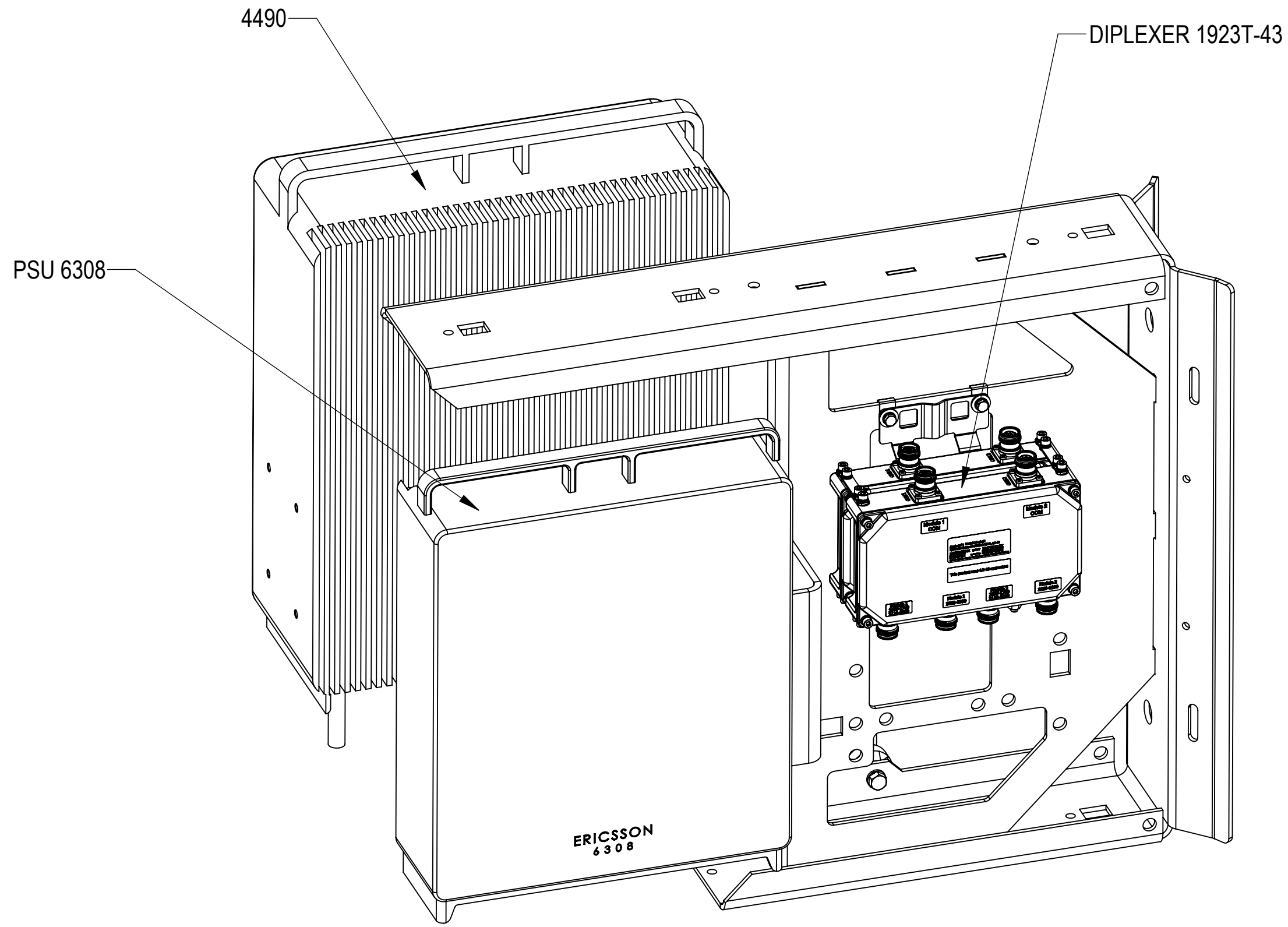
LEFT VIEW



RIGHT VIEW

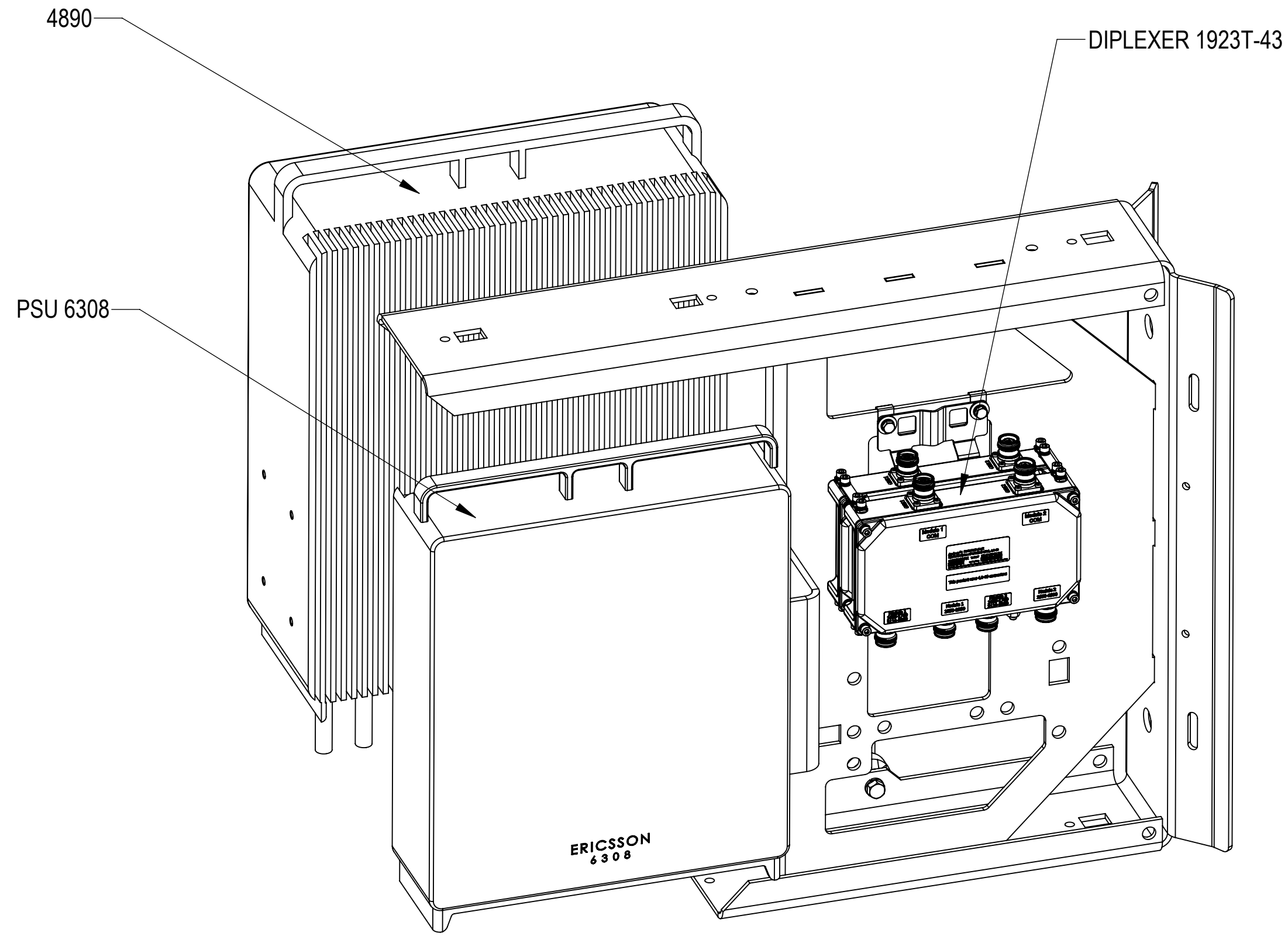
COMMSCOPE, INC. OF NORTH CAROLINA			
TITLE			
METROCELL, WOODPOLE BRKT, FOR ERC RRU			
SIZE	SCALE	DOCUMENT NO.	
C	1:4	SSC-760239913NS	
DRAWING			SHEET
VERSION	STATUS	REVISION	9 OF 12
04	RE	D	

C4- 4490, PSU 6308 AND DIPLEXER 1923T-43



COMMSCOPE, INC. OF NORTH CAROLINA				
TITLE				
METROCELL, WOODPOLE BRKT, FOR ERC RRU				
SIZE	SCALE	DOCUMENT NO.		
C	1:4	SSC-760239913NS		
		DRAWING		SHEET
		VERSION	STATUS	REVISION
		04	RE	D
				10 OF 12

C5- 4890, PSU 6308 AND DIPLEXER 1923T-43



COMMSCOPE, INC. OF NORTH CAROLINA				
TITLE				
METROCELL, WOODPOLE BRKT, FOR ERC RRU				
SIZE	SCALE	DOCUMENT NO.		
C	1:4	SSC-760239913NS		
		DRAWING		SHEET
		VERSION	STATUS	REVISION
		04	RE	D
				11 OF 12

4

3

2

1

D

D

C

C

B

B

A

A

4

3

2

1

4

3

2

1

D

D

C

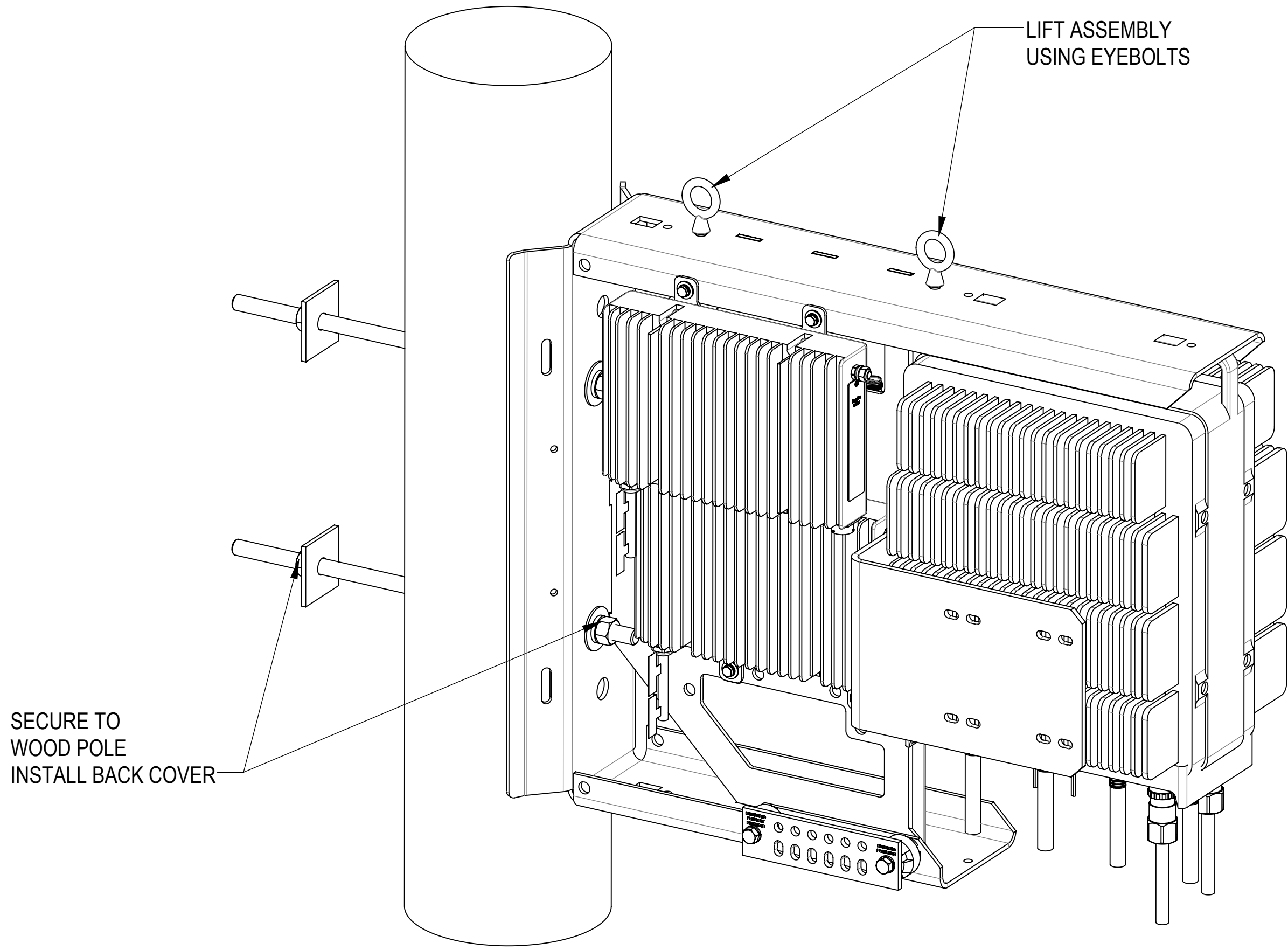
C

B

B

A

A



LIFT ASSEMBLY
USING EYEBOLTS

SECURE TO
WOOD POLE
INSTALL BACK COVER

COMMSCOPE, INC. OF NORTH CAROLINA

TITLE
METROCELL, WOODPOLE BRKT, FOR ERC RRU

SIZE C	SCALE 1:4	DOCUMENT NO. SSC-760239913NS
------------------	---------------------	--

DRAWING			SHEET 12 OF 12
VERSION 04	STATUS RE	REVISION D	

© 2024 CommScope, Inc. Confidential

4

3

2

1