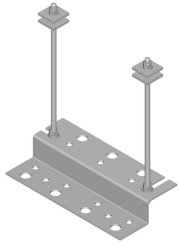


MT-357-12



Trapeze Kit, 12 in wide, one rung

Product Classification

Product Type Trapeze kit

General Specifications

Application Waveguide bridge kit, 12 in

Cable Runs, quantity 7

Hole, quantity 7

Mounting Waveguide bridge channel

Rungs, quantity 1

Dimensions

Height 50.8 mm | 2 in

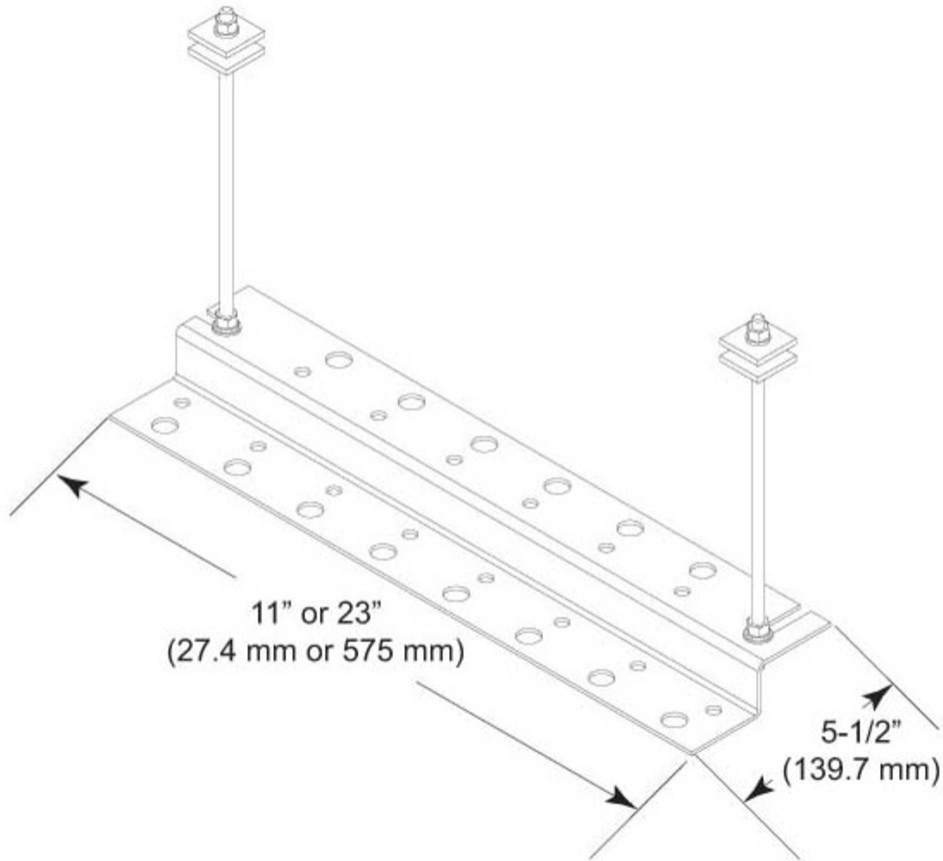
Width 355.6 mm | 14 in

Length 152.4 mm | 6 in

Hole Size 3/4 in | 7/16 in

MT-357-12

Outline Drawing



Material Specifications

Material Type Hot dip galvanized steel

Packaging and Weights

Included Hardware | Threaded rod | Z-bracket

Packaging quantity 1

Weight, net 1.8 kg | 3.968 lb

Regulatory Compliance/Certifications

Agency	Classification
CHINA-ROHS	Above maximum concentration value

MT-357-12

ISO 9001:2015	Designed, manufactured and/or distributed under this quality management system
ROHS	Compliant/Exempted
UK-ROHS	Compliant/Exempted



Included Products

- ZB-H4 – Horizontal Z-bracket, 11 in, for seven coaxial cable runs