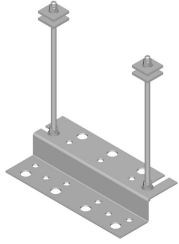


MT-357-12



Trapeze Kit, 12 in wide, one rung

Product Classification

Product Type Trapeze kit

General Specifications

Application Waveguide bridge kit, 12 in

Cable Runs, quantity 7

Hole, quantity 7

Mounting Waveguide bridge channel

Rungs, quantity 1

Dimensions

Height 50.8 mm | 2 in

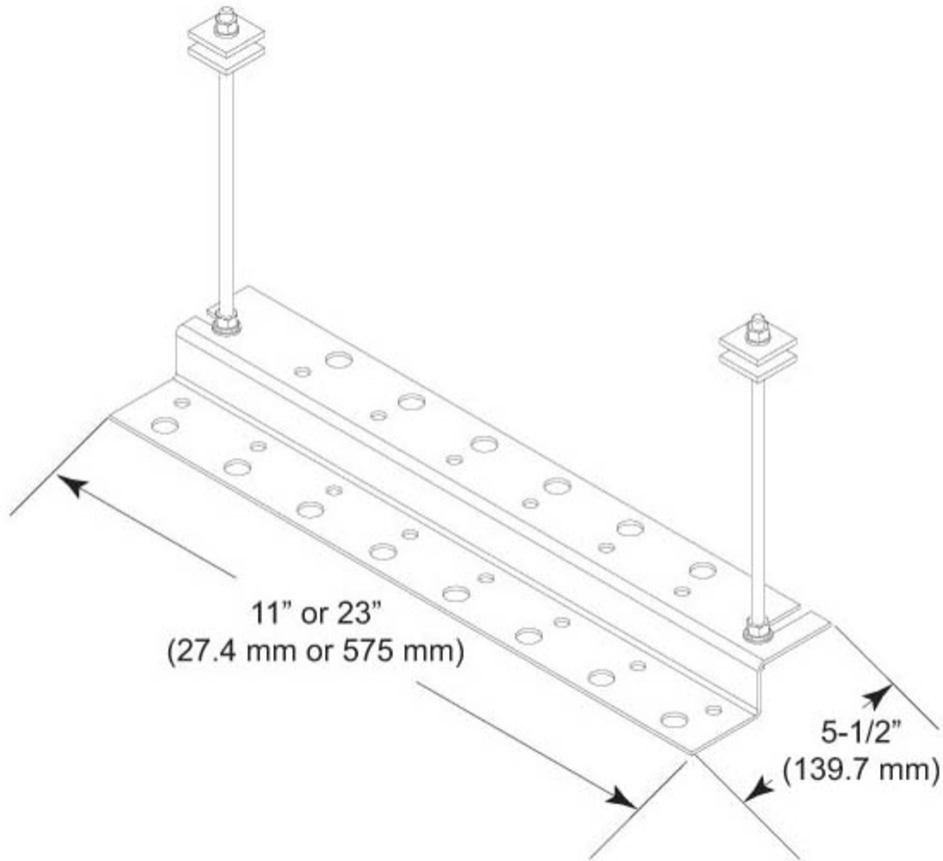
Width 355.6 mm | 14 in

Length 152.4 mm | 6 in

Hole Size 3/4 in | 7/16 in

MT-357-12

Outline Drawing



Material Specifications

Material Type Hot dip galvanized steel

Packaging and Weights

Included Hardware | Threaded rod | Z-bracket

Packaging quantity 1

Weight, net 1.8 kg | 3.968 lb

Regulatory Compliance/Certifications

Agency	Classification
CHINA-ROHS	Above maximum concentration value

MT-357-12

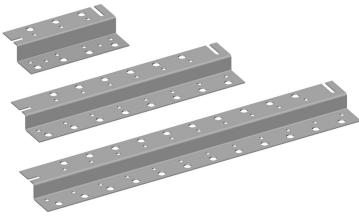
ISO 9001:2015	Designed, manufactured and/or distributed under this quality management system
ROHS	Compliant/Exempted
UK-ROHS	Compliant/Exempted



Included Products

- ZB-H4 – Horizontal Z-bracket, 11 in, for seven coaxial cable runs

ZB-H4



Horizontal Z-bracket, 11 in, for seven coaxial cable runs

Product Classification

Product Type	Z-Bracket
Ordering Note	ANDREW® standard product (Global)

General Specifications

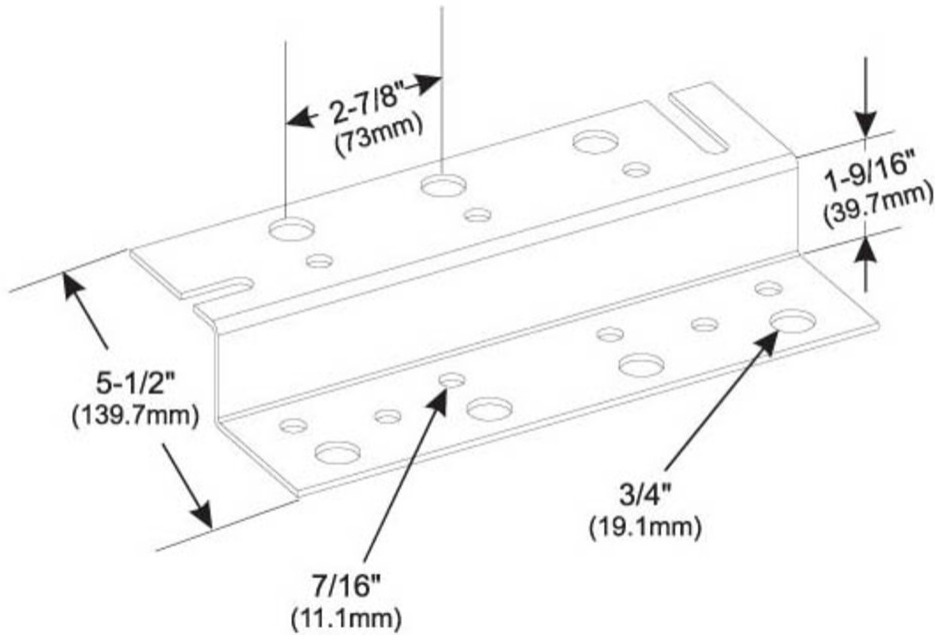
Cable Runs, quantity	7
Hole, quantity	7
Mounting	Walls

Dimensions

Height	50.8 mm 2 in
Width	152.4 mm 6 in
Length	279.4 mm 11 in
Hole Size	3/4 in 7/16 in

ZB-H4

Outline Drawing



Material Specifications

Material Type Hot dip galvanized steel

Mechanical Specifications

Wind Rating For Specifications, please contact your local ANDREW representative

Packaging and Weights

Included Z-bracket

Packaging quantity 1

Weight, net 1.2 kg | 2.646 lb

Regulatory Compliance/Certifications

Agency	Classification
CHINA-ROHS	Above maximum concentration value
ISO 9001:2015	Designed, manufactured and/or distributed under this quality management system
ROHS	Compliant/Exempted
UK-ROHS	Compliant/Exempted

ZB-H4



* Footnotes

Wind Rating

BWS—Base Wind Speed; FBC—Florida Building Code