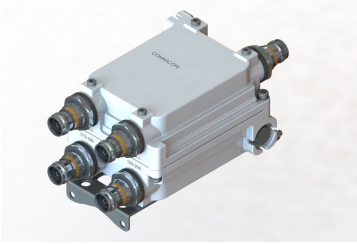


E14F06P47



Twin Diplexer, 1350–1880 MHz/1920–2690 MHz, DC Block, with 4.3-10 connectors

- Industry leading PIM performance
- New 4.3-10 connectors for improved PIM performance and size reduction
- dc/AISG blocking on all ports
- Designed for network modernization application, introduction of LTE1400 on existing site

OBSOLETE

This product was discontinued on: December 31, 2024

Replaced By:

E12F03P88

Twin Diplexer, 1800/2100-2600, dc block all ports, with 4.3-10 connectors

Product Classification

Product Type Diplexer

General Specifications

Color Gray

Modularity 2-Twin

Mounting Pole | Wall

Mounting Pipe Hardware Band clamps (2)

RF Connector Interface 4.3-10 Female

Dimensions

Height 88 mm | 3.465 in

Width 138 mm | 5.433 in

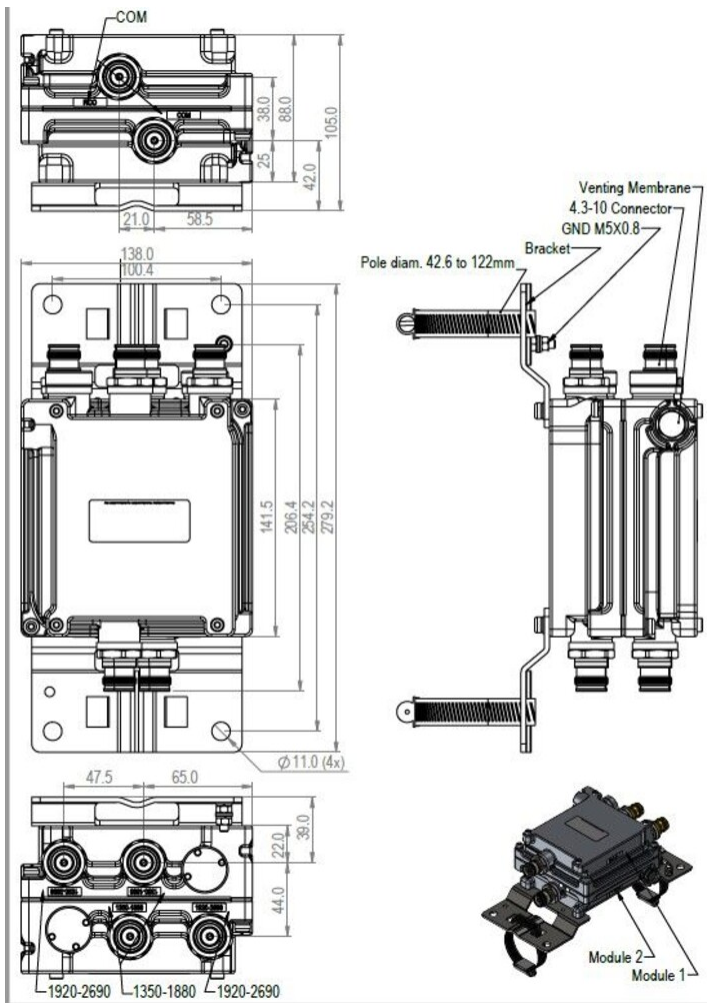
Depth 141.5 mm | 5.571 in

Ground Screw Diameter 5 mm | 0.197 in

Mounting Pipe Diameter Range 42.6–122 mm

Outline Drawing

E14F06P47



Electrical Specifications

Impedance 50 ohm

Electrical Specifications, dc Power/Alarm

dc/AISG Pass-through Method No dc/AISG pass-through

Lightning Surge Current 5 kA

Lightning Surge Current Waveform 8/20 waveform

Electrical Specifications

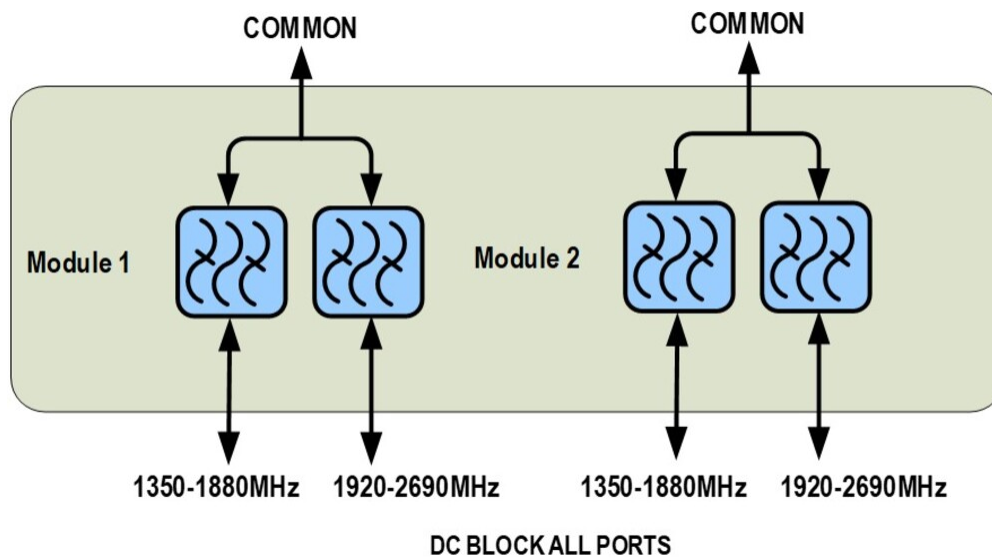
Sub-module	1 2	1 2
Branch	1	2
Port Designation	PORT 1 1350-1880	PORT 2 1920-2690

E14F06P47

Electrical Specifications, Band Pass

Frequency Range, MHz	1350–1880	1920–2690
Insertion Loss, typical, dB	0.25	0.2
Return Loss, typical, dB	22	22
Isolation, typical, dB	40	40
Input Power, RMS, maximum, W	100	100
Input Power, PEP, maximum, W	1000	1000
3rd Order PIM, typical, dBc	-157	-157
3rd Order PIM Test Method	Two +43 dBm carriers	Two +43 dBm carriers

Block Diagram



Environmental Specifications

Operating Temperature	-40 °C to +65 °C (-40 °F to +149 °F)
Corrosion Test Method	IEC 60068-2-11, 30 days
Environmental Test Method	ETSI EN 300 019-1-4
Ingress Protection Test Method	IEC 60529:2001, IP67

Packaging and Weights

Included	Mounting hardware
Volume	1.7 L

E14F06P47

Weight, net	3 kg 6.614 lb
Weight, without mounting hardware	2.5 kg 5.512 lb