

TD-AWS-1-C-DEF | E14Z00P15



AWS Twin In-Band Diplexer Zero Guard Band, AWS DEF blocks + PCS / AWS C block with DC/AISG Sense and 4.3-10 Connectors

Product Classification

Product Type Diplexer

General Specifications

Application Indoor | Outdoor

Connector Interface 4.3-10 Female

Connector Interface Style Long neck

Rx Interface 4.3-10 Female

Dimensions

Height 245 mm | 9.646 in

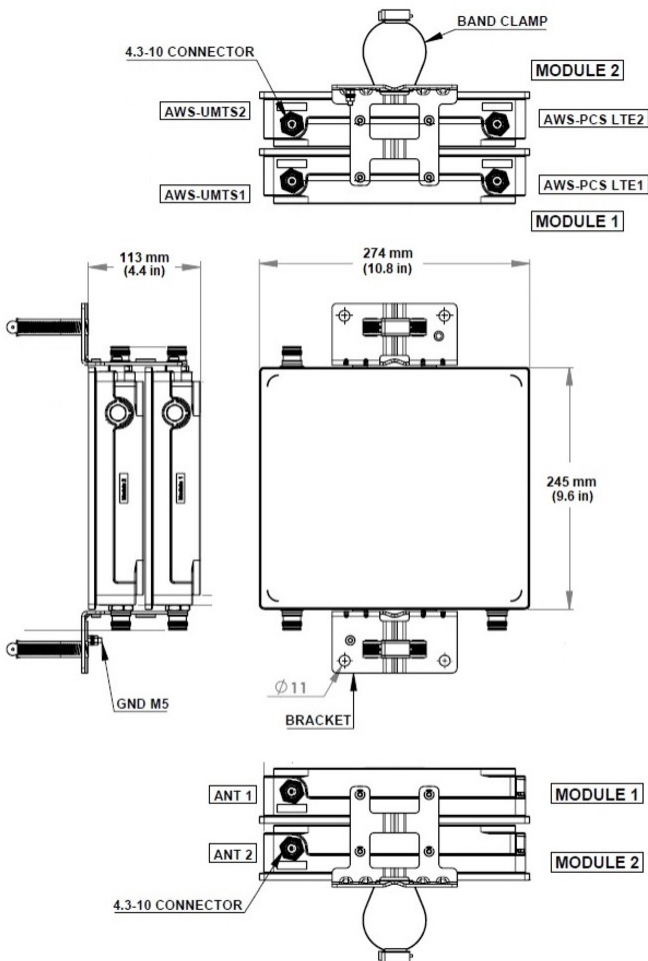
Width 274 mm | 10.787 in

Depth 113 mm | 4.449 in

Ground Screw Diameter 5 mm | 0.197 in

Outline Drawing

TD-AWS-1-C-DEF | E14Z00P15



Electrical Specifications, Rx (Uplink)

Frequency Band	1736 – 1754 MHz 1850 – 1915 MHz
Insertion Loss, typical	0.4 dB 0.6 dB
Return Loss, minimum	18 dB
Isolation, minimum	23 dB
Port Designation	LTE AWS D,E,F + PCS band
Total Group Delay, maximum	150 ns

Electrical Specifications 2, Rx (Uplink)

Frequency Band	1730.58 – 1734.42 MHz
Isolation, minimum	23 dB
Port Designation	UMTS AWS C block

TD-AWS-1-C-DEF | E14Z00P15

Total Group Delay, maximum	160 ns
Insertion Loss, typical	0.8 dB
Return Loss, minimum	18 dB

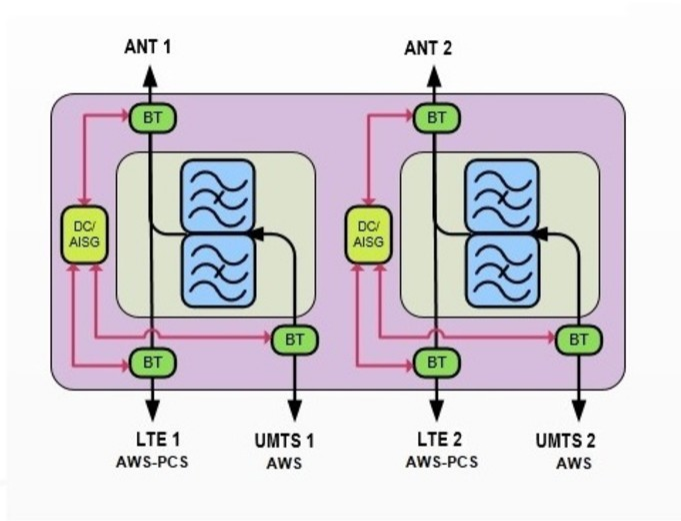
Electrical Specifications, Tx (Downlink)

Frequency Band	1930 – 1995 MHz 2136 – 2154 MHz
Isolation, minimum	28 dB
Input Power, PEP, maximum	1700 W
Input Power, RMS, maximum	120 W
Total Group Delay, maximum	120 ns
Insertion Loss, typical	0.6 dB
Return Loss, minimum	18 dB

Electrical Specifications 2, Tx (Downlink)

Frequency Band	2130.58 – 2134.42 MHz
Input Power, PEP, maximum	1700 W
Insertion Loss, typical	0.8 dB
Isolation, minimum	28 dB
Return Loss, minimum	18 dB
Total Group Delay, maximum	160 ns

Block Diagram



Logic Table

DC input voltage		ANT PORT
AWS-UMTS PORT	AWS-PCS LTE PORT	DC/AISG path selection
<7	<7	All ports OFF
$7 \leq V \leq 30$	<7	AWS-UMTS to ANT PORT ON AWS-PCS LTE to ANT OFF
<7	$7 \leq V \leq 30$	AWS-UMTS to ANT PORT ON AWS-PCS LTE to ANT OFF
$7 \leq V \leq 30$	$7 \leq V \leq 30$	All ports OFF

Environmental Specifications

Operating Temperature -40 °C to +60 °C (-40 °F to +140 °F)
Ingress Protection Test Method IEC 60529:2001, IP67

Packaging and Weights

Included Brackets

TD-AWS-1-C-DEF | E14Z00P15

Weight, without mounting hardware

8.8 kg | 19.401 lb