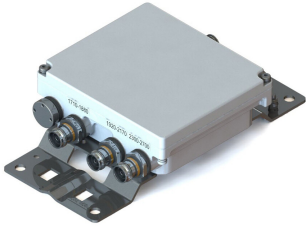


# E14F10P54



## Ultra Compact Single Triplexer 1710-1880/1920-2170/2300-2700, with 4.3-10 connectors

- Ideal for small cell applications
- Compact form factor with reduced size and weight
- Suitable for space limited applications like Metro Cell, Lamp Pole, Concealment Solution and Macro Site
- New 4.3-10 connectors for improved PIM performance and size reduction
- Single configuration
- dc/AISG blocking on all ports

## Product Classification

**Product Type** Triplexer

## General Specifications

**Product Family** CBC182126

**Color** Gray

**Common Port Label** COMM

**Modularity** 1-Single

**Mounting** Pole | Wall

**Mounting Pipe Hardware** Band clamps (2)

**RF Connector Interface** 4.3-10 Female

**RF Connector Interface Body Style** Medium neck

## Dimensions

**Height** 57 mm | 2.244 in

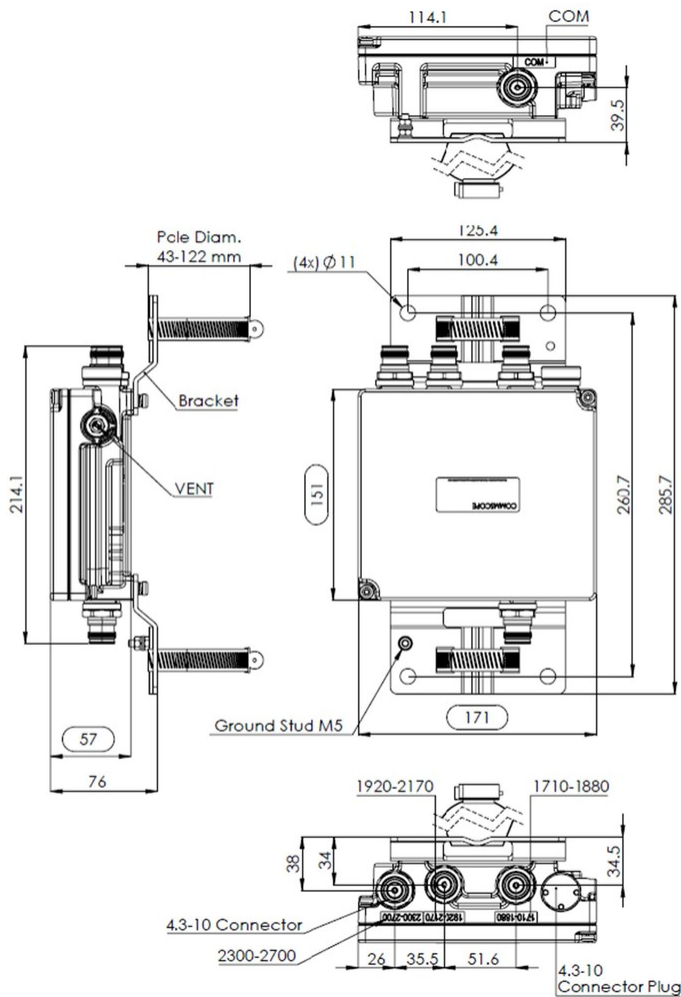
**Width** 151 mm | 5.945 in

**Depth** 171 mm | 6.732 in

**Mounting Pipe Diameter Range** 42.6–122 mm

## Outline Drawing

# E14F10P54



## Electrical Specifications

<b>Impedance</b>	50 ohm
<b>License Band, Band Pass</b>	DCS 1800   IMT 2100   IMT 2600   TDD 2300   TDD 2600

## Electrical Specifications, dc Power/Alarm

<b>dc/AISG Pass-through Method</b>	No dc/AISG pass-through
<b>dc/AISG Pass-through, combiner</b>	dc/AISG blocking on all ports
<b>dc/AISG Pass-through, demultiplexer</b>	dc/AISG blocking on all ports
<b>Lightning Surge Current</b>	5 kA
<b>Lightning Surge Current Waveform</b>	8/20 waveform

## Electrical Specifications

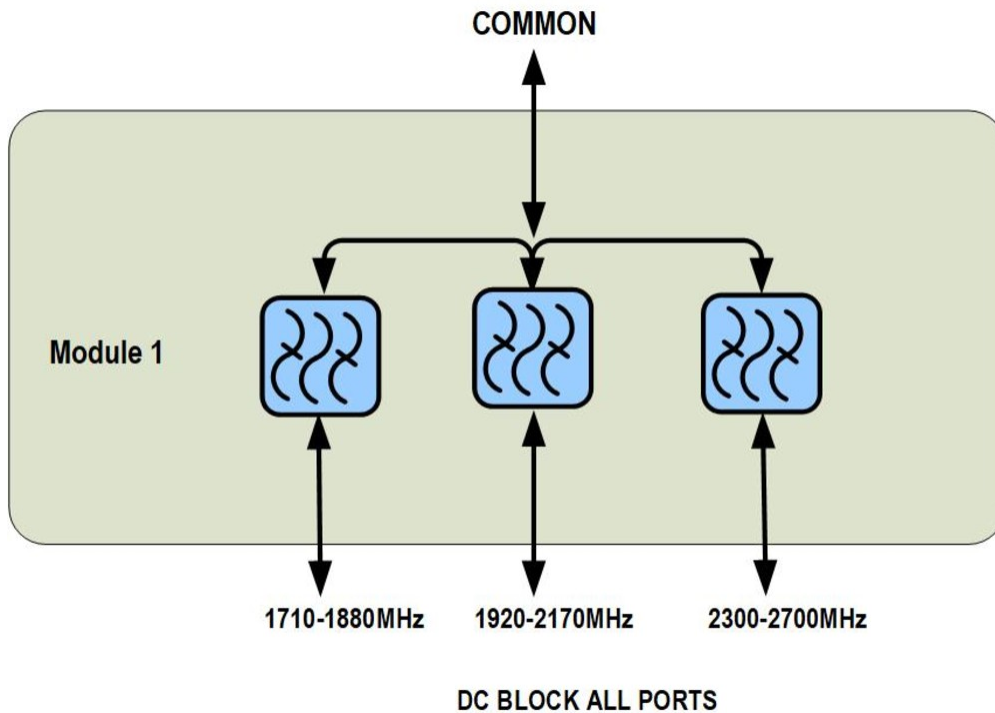
# E14F10P54

<b>Sub-module</b>	<b>1   2</b>	<b>1   2</b>	<b>1   2</b>
<b>Branch</b>	1	2	3
<b>Port Designation</b>	1800	2100	2300-2700
<b>License Band</b>	DCS 1800, Band Pass	IMT 2100, Band Pass	TDD 2300, Band Pass TDD 2600, Band Pass IMT 2600, Band Pass

## Electrical Specifications, Band Pass

	<b>1710–1880</b>	<b>1920–2170</b>	<b>2300–2700</b>
<b>Frequency Range, MHz</b>			
<b>Insertion Loss, typical, dB</b>	0.25	0.3	0.2
<b>Return Loss, typical, dB</b>	22	22	22
<b>Isolation, typical, dB</b>	38	38	38
<b>Input Power, RMS, maximum, W</b>	125	125	125
<b>Input Power, PEP, maximum, W</b>	1200	1200	1200
<b>3rd Order PIM, typical, dBc</b>	-157	-157	-157
<b>3rd Order PIM Test Method</b>	Two +43 dBm carriers	Two +43 dBm carriers	Two +43 dBm carriers

## Block Diagram



## Material Specifications

**Finish** Painted

# E14F10P54

---

## Environmental Specifications

<b>Operating Temperature</b>	-40 °C to +60 °C (-40 °F to +140 °F)
<b>Relative Humidity</b>	Up to 100%
<b>Corrosion Test Method</b>	IEC 60068-2-11, 30 days
<b>Ingress Protection Test Method</b>	IEC 60529:2001, IP67

## Packaging and Weights

<b>Included</b>	Mounting hardware
<b>Volume</b>	1.5 L
<b>Weight, net</b>	1.9 kg   4.189 lb
<b>Weight, without mounting hardware</b>	1.4 kg   3.086 lb

## Regulatory Compliance/Certifications

<b>Agency</b>	<b>Classification</b>
ISO 9001:2015	Designed, manufactured and/or distributed under this quality management system