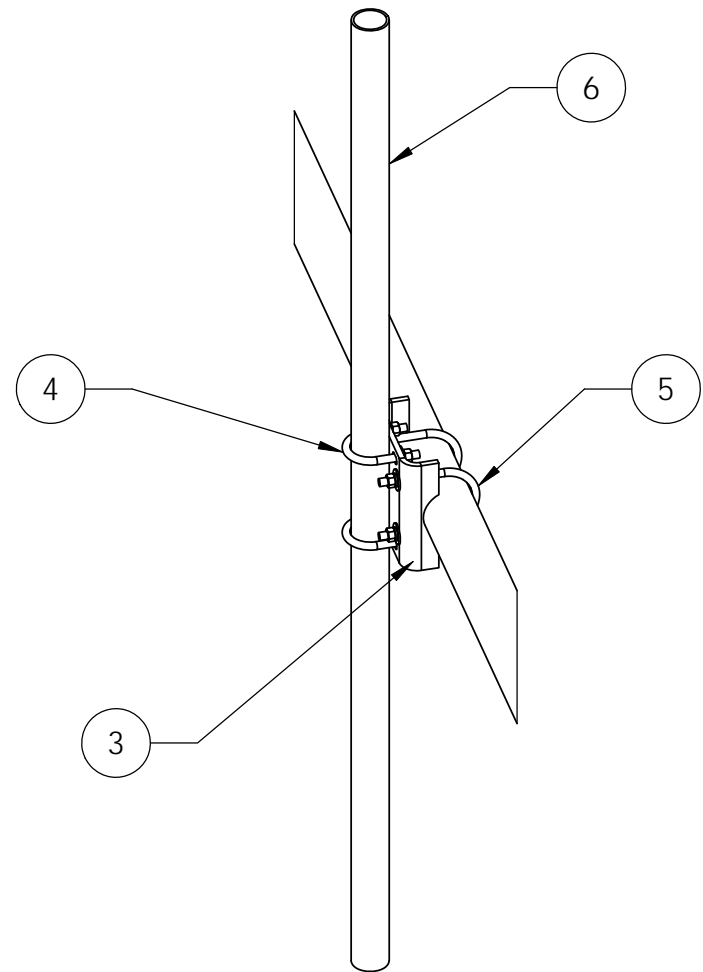


ITEM	PART NO.	DESCRIPTION	QTY.	WEIGHT
1	WT-SPM14-B	Stackable Pod Mount Assembly 14' Face	1	2801.41 LBS
2	MT-219-H	HARDWARE KIT (Next 3 Items)	-	
3	MT217.01	PIPE MOUNT PLATE	9	7.93 LBS
4	GUB-4240	1/2" X 2-1/2" X 4" GALV U-BOLT	18	0.56 LBS
5	GUB-4356	1/2" X 3-5/8" X 6" GALV U-BOLT	18	0.82 LBS
6	MT-6xxx	2.375" OD PLAIN END GALV PIPE	9	-

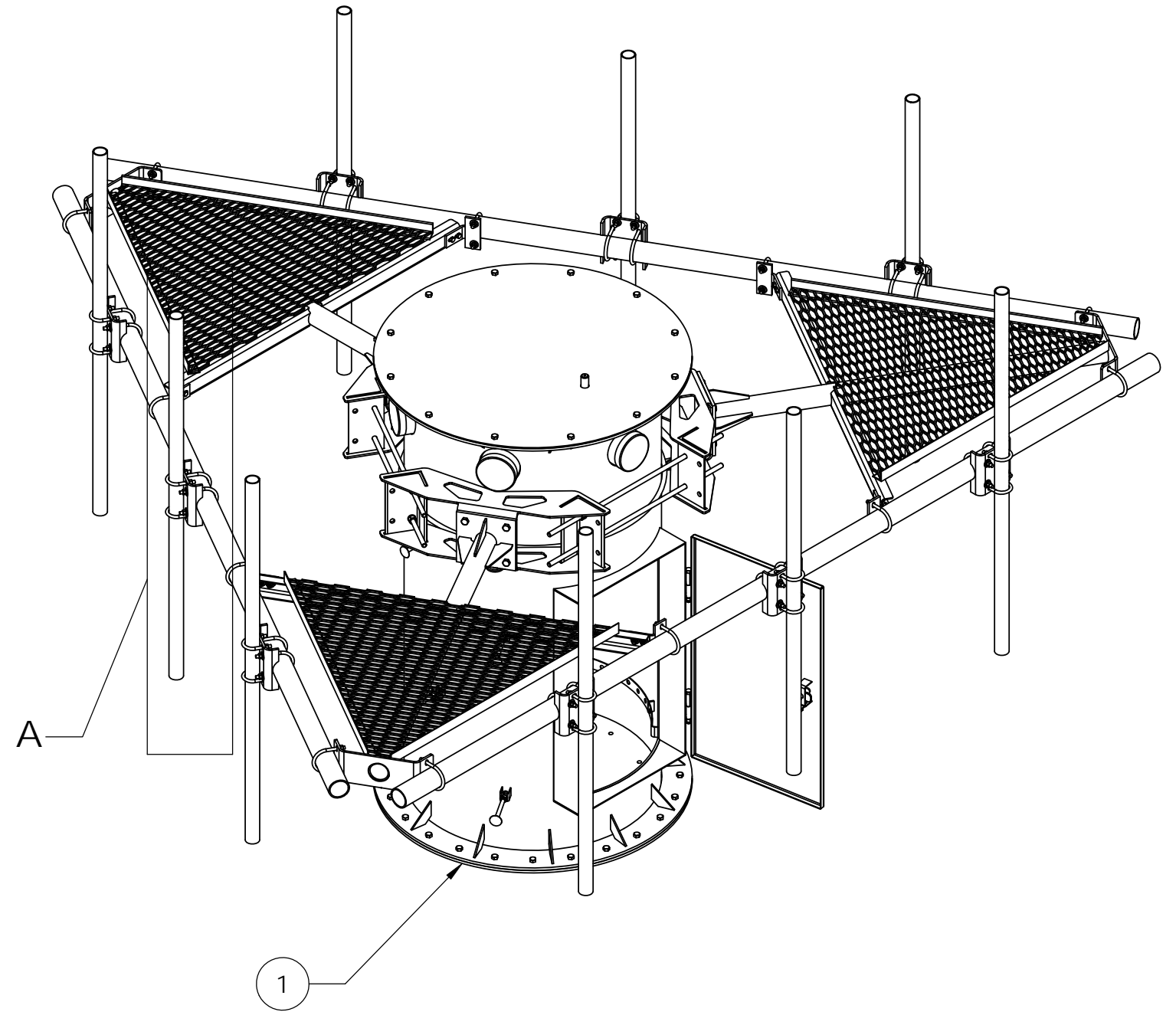
REVISIONS				
REV.	ZONE	DESCRIPTION	BY	DATE
C		UPDATED POD MOUNT ASSY	ACG	10/25/02
D		REDRAW IN SOLIDWORKS	OGG	9/23/2010


PART NO	PIPE NO	DESCRIPTION	QTY	WEIGHT
WT-SPM14-9-72	MT-651	2-3/8" OD X 72" GALV PIPE	9	3100.4 LBS
WT-SPM14-9-96	MT-651-96	2-3/8" OD X 96" GALV PIPE	9	3165.8 LBS
WT-SPM14-9-126	MT-537	2-3/8" OD X 126" GALV PIPE	9	3243.8 LBS



DETAIL A
SCALE 1 : 12

NOTES:
1. ALL METRIC DIMENSIONS ARE IN BRACKETS.



<small>These drawings and specifications are the proprietary property of ANDREW CORPORATION and may be used only for the specific purpose authorized in writing by Andrew Corporation.</small> ALL DIMENSIONS ARE IN INCHES U.O.S. TOLERANCES UNLESS OTHERWISE SPECIFIED: .X = ± .12 ANGLES ±2° .XX = ± .06 FRACTIONS ±1/32 .XXX = ± .03 REMOVE BURRS AND BREAK EDGES .005 DO NOT SCALE THIS PRINT	DRAWN BY: OGG	SHEET: 1 of 1	PART NUMBER: WT-SPM14-9SERIES
	CHECKED BY: TP	SCALE: NTS	DESCRIPTION: Pod Mount Assy w/3 pipe Mounts per face
	DATE: 09/23/10	MATERIAL: A36,A500	DRAWING TYPE: ASSEMBLY DRAWING
	REVISION: D	FINISH: GALV A123	 WESTCHESTER, IL. 60154 U.S.A.
	WEIGHT: SEE TABLE		