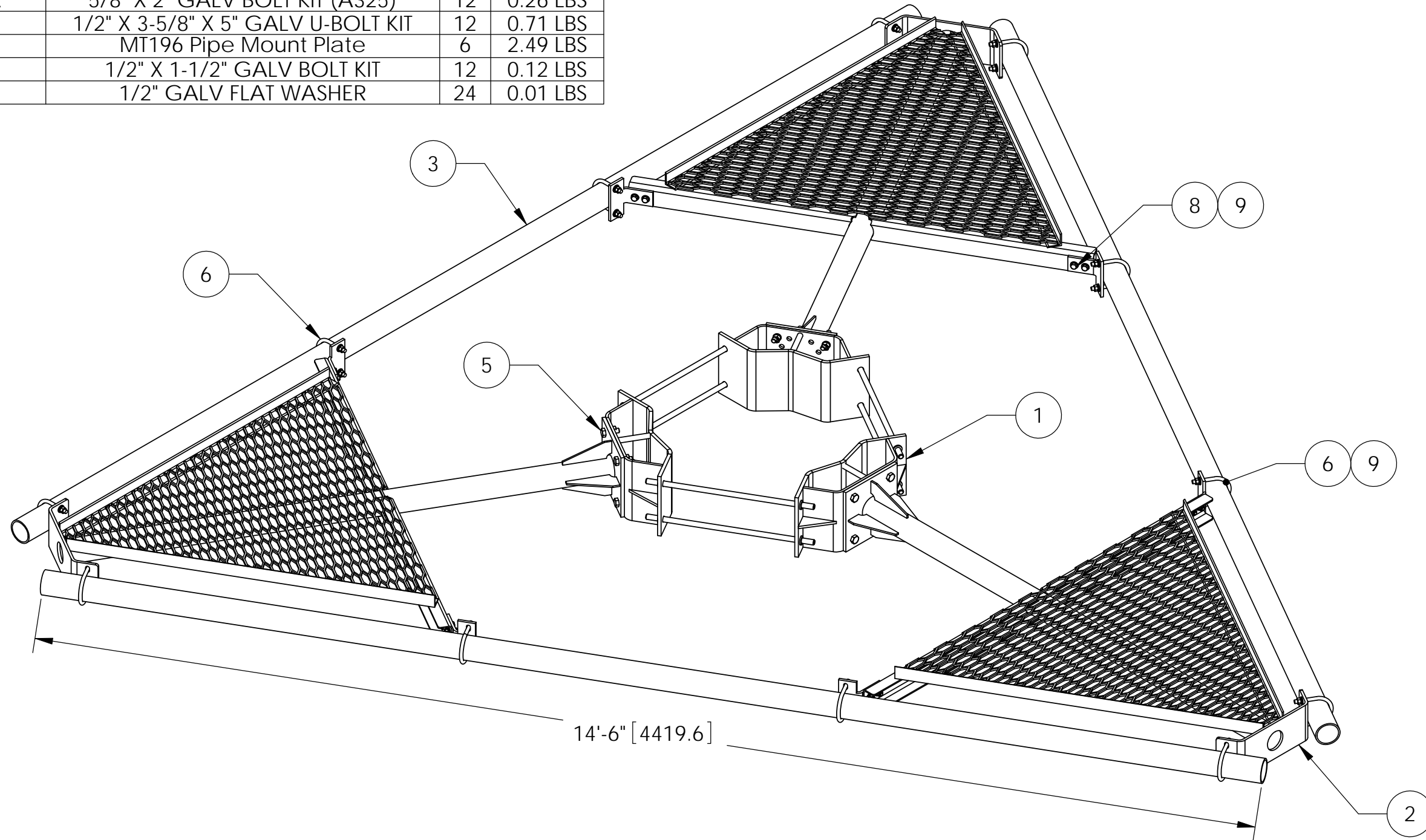



ITEM	PART NO.	DESCRIPTION	QTY.	WEIGHT
1	MC-RM1030-3	10" - 30" RINGMOUNT	1	189.83 LBS
2	MT19614.05	Low Profile Co-Location Platform 14'	3	147.63 LBS
3	MT-547-174	3½" O.D. X 14'-6" GALV. PIPE	3	109.73 LBS
4	MT196HK	HARDWARE KIT (ITEM 5 & 9)	1	
5	GB-0520A	5/8" X 2" GALV BOLT KIT (A325)	12	0.26 LBS
6	GUB-4355	1/2" X 3-5/8" X 5" GALV U-BOLT KIT	12	0.71 LBS
7	MT196.17	MT196 Pipe Mount Plate	6	2.49 LBS
8	GB-04145	1/2" X 1-1/2" GALV BOLT KIT	12	0.12 LBS
9	GWF-04	1/2" GALV FLAT WASHER	24	0.01 LBS

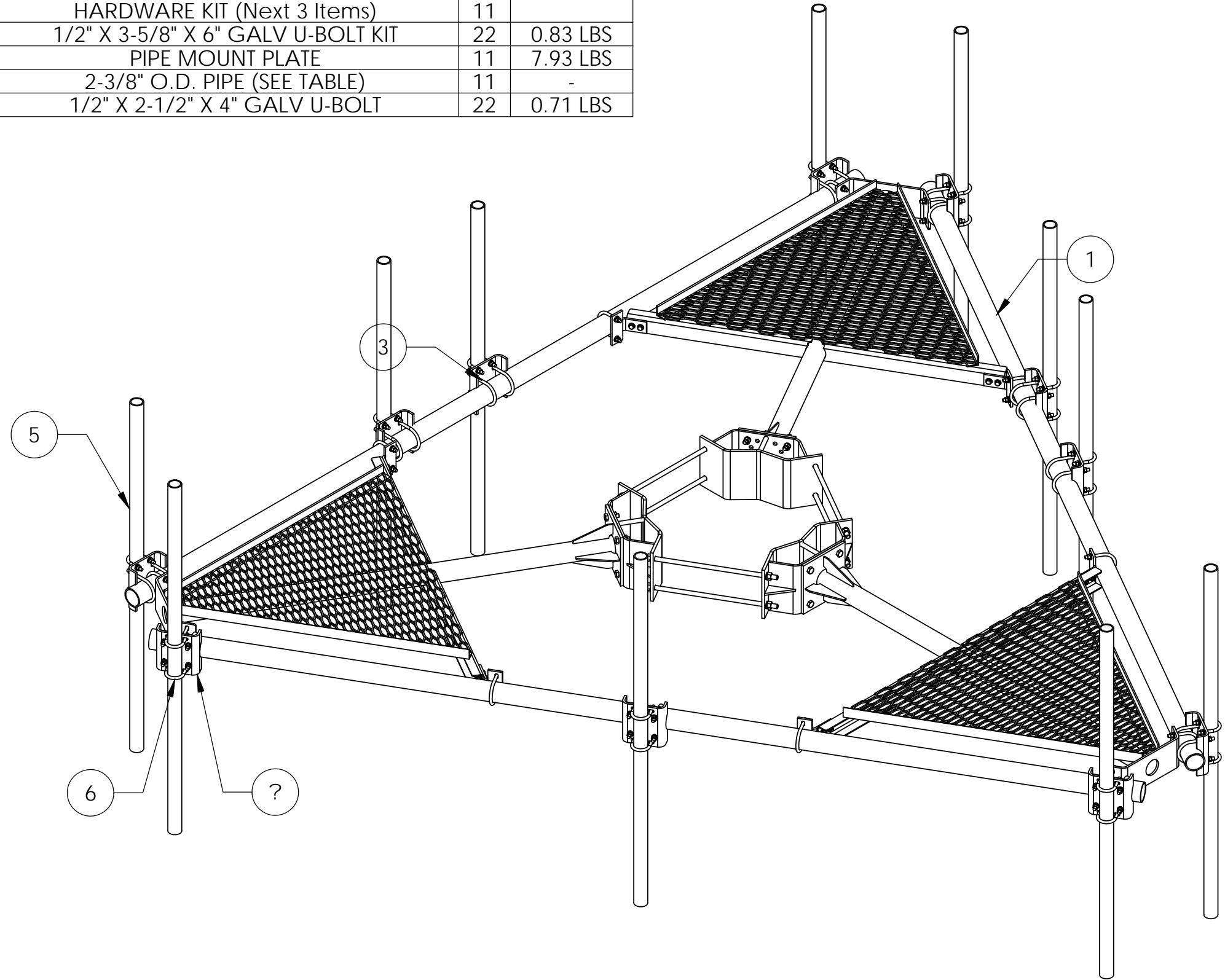
REVISIONS				
REV.	ZONE	DESCRIPTION	BY	DATE
A		INITIAL RELEASE	DI	03/04/05
B		NEW DESIGN OF ITEM #2 & UPDATE HARDWARE KIT	ACG	08/12/08
C		UPDATE MT1961405 AND MT19617	MSM	09/20/11




- NOTES:
1. PLATFORM FOR USE WITH  $\phi 10''$  TO  $\phi 30''$  MONOPOLES
  2. UP TO 5% ADDITIONAL HARDWARE INCLUDED.

<small>These drawings and specifications are the proprietary property of ANDREW CORPORATION and may be used only for the specific purpose authorized in writing by Andrew Corporation.</small> ALL DIMENSIONS ARE IN INCHES U.O.S. TOLERANCES UNLESS OTHERWISE SPECIFIED: .X = $\pm .12$ ANGLES $\pm 2'$ .XX = $\pm .06$ FRACTIONS $\pm 1/32$ .XXX = $\pm .03$ REMOVE BURRS AND BREAK EDGES .005 DO NOT SCALE THIS PRINT	DRAWN BY: DI CHECKED BY: TP DATE: 03/04/05 REVISION: C	SHEET: 1 of 4 SCALE: NTS MATERIAL: A36, A53, A500 FINISH: GALV A123 WEIGHT: 994.74 LBS	PART NUMBER: MC-PK14S-B SERIES DESCRIPTION: LOW PROFILE CO LOCATION PLATFORM KIT DRAWING TYPE: ASSEMBLY DRAWING  ORLAND PARK, IL. 60462 U.S.A.
---	---	--	--

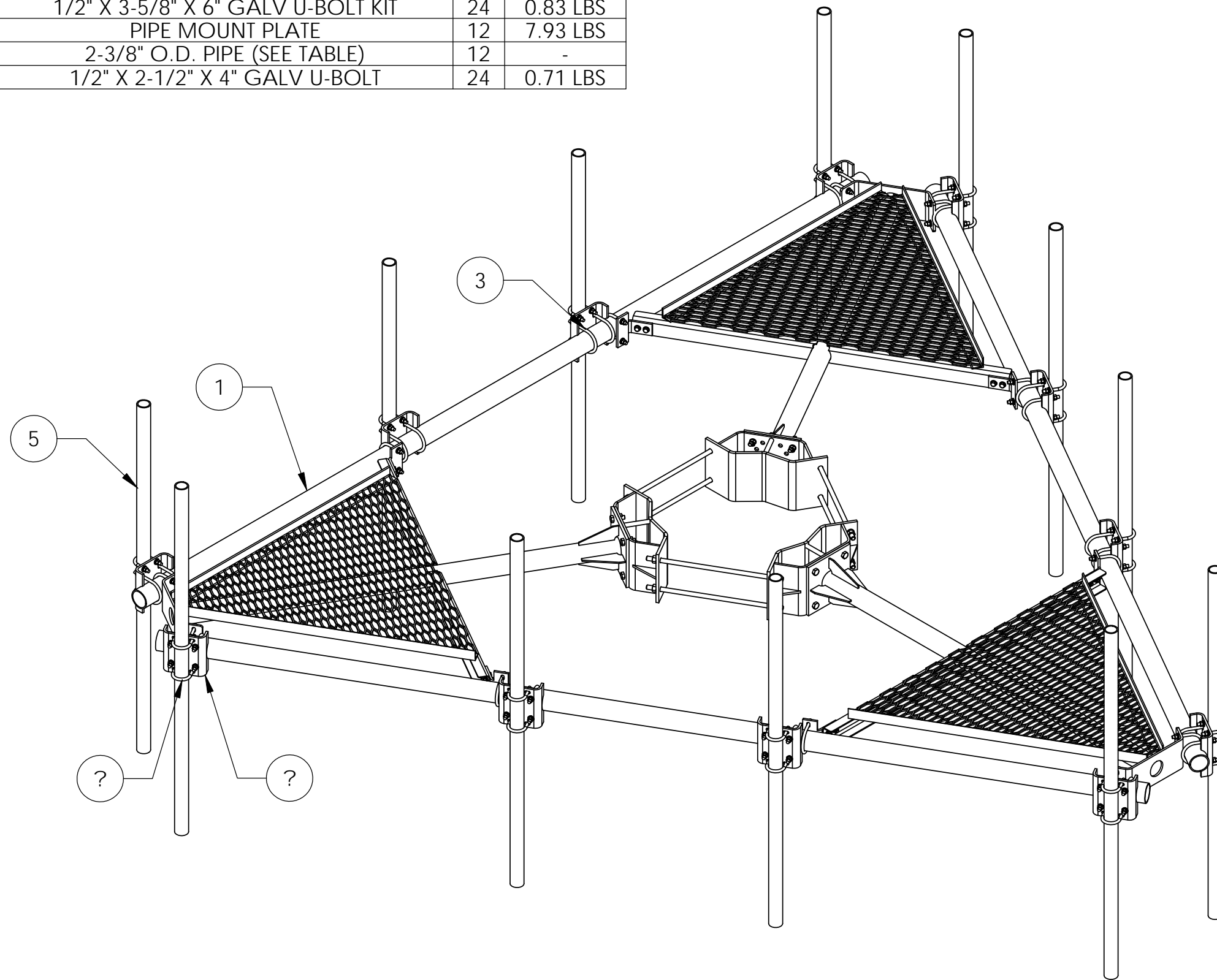
ITEM	PART NO.	DESCRIPTION	QTY.	WEIGHT
1	MC-PK14S-B	LOW PROFILE CO-LOCATION PLATFORM KIT	1	994.74 LBS
2	MT-219-H	HARDWARE KIT (Next 3 Items)	11	
3	GUB-4356	1/2" X 3-5/8" X 6" GALV U-BOLT KIT	22	0.83 LBS
4	MT217.01	PIPE MOUNT PLATE	11	7.93 LBS
5	MT-XXXX	2-3/8" O.D. PIPE (SEE TABLE)	11	-
6	GUB-4240	1/2" X 2-1/2" X 4" GALV U-BOLT	22	0.71 LBS



PLATFORM #	PIPE LENGTH	PIPE #	QTY.	WEIGHT
MC-PK14S-9-72	2.375" x 72" PIPE	MT-651	9	1331.18 LBS
MC-PK14S-9-96	2.375" x 96" PIPE	MT-651-96	9	1340.00 LBS
MC-PK14S-9-126	2.375" x 126" PIPE	MT-537	9	1422.43 LBS

<small>These drawings and specifications are the proprietary property of ANDREW CORPORATION and may be used only for the specific purpose authorized in writing by Andrew Corporation.</small> <small>ALL DIMENSIONS ARE IN INCHES U.O.S. TOLERANCES UNLESS OTHERWISE SPECIFIED:</small> .X = ± .12      ANGLES      ±2° .XX = ± .06      FRACTIONS      ±1/32 .XXX = ± .03 <small>REMOVE BURRS AND BREAK EDGES .005</small> <b>DO NOT SCALE THIS PRINT</b>	<small>DRAWN BY:</small> DI	<small>SHEET:</small> 2 of 4	<small>PART NUMBER:</small> <b>MC-PK14S-9 SERIES</b>
	<small>CHECKED BY:</small> TP	<small>SCALE:</small> NTS	<small>DESCRIPTION:</small> Low Profile Co-Location Platform Kit
	<small>DATE:</small> 03/04/05	<small>MATERIAL:</small> A36, A53, A500	<small>DRAWING TYPE:</small> ASSEMBLY DRAWING
	<small>REVISION:</small> <b>C</b>	<small>FINISH:</small> GALV A123 <small>WEIGHT:</small> SEE TABLE	 ORLAND PARK, IL. 60462 U.S.A.

ITEM	PART NO.	DESCRIPTION	QTY.	WEIGHT
1	MC-PK14S-B	LOW PROFILE CO-LOCATION PLATFORM KIT	1	994.74 LBS
2	MT-219-H	HARDWARE KIT (Next 3 Items)	12	
3	GUB-4356	1/2" X 3-5/8" X 6" GALV U-BOLT KIT	24	0.83 LBS
4	MT217.01	PIPE MOUNT PLATE	12	7.93 LBS
5	MT-XXXX	2-3/8" O.D. PIPE (SEE TABLE)	12	-
6	GUB-4240	1/2" X 2-1/2" X 4" GALV U-BOLT	24	0.71 LBS



PLATFORM #	PIPE LENGTH	PIPE #	QTY.	WEIGHT
MC-PK14S-12-72	2.375" x 72" PIPE	MT-651	12	1449.00 LBS
MC-PK14S-12-96	2.375" x 96" PIPE	MT-651-96	12	1460.71 LBS
MC-PK14S-12-126	2.375" x 126" PIPE	MT-537	12	1570.69 LBS

These drawings and specifications are the proprietary property of ANDREW CORPORATION and may be used only for the specific purpose authorized in writing by Andrew Corporation.

ALL DIMENSIONS ARE IN INCHES U.O.S.  
TOLERANCES UNLESS OTHERWISE SPECIFIED:

.X = ± .12	ANGLES	±2°
.XX = ± .06	FRACTIONS	±1/32
.XXX = ± .03		

REMOVE BURRS AND BREAK EDGES .005

DO NOT SCALE THIS PRINT

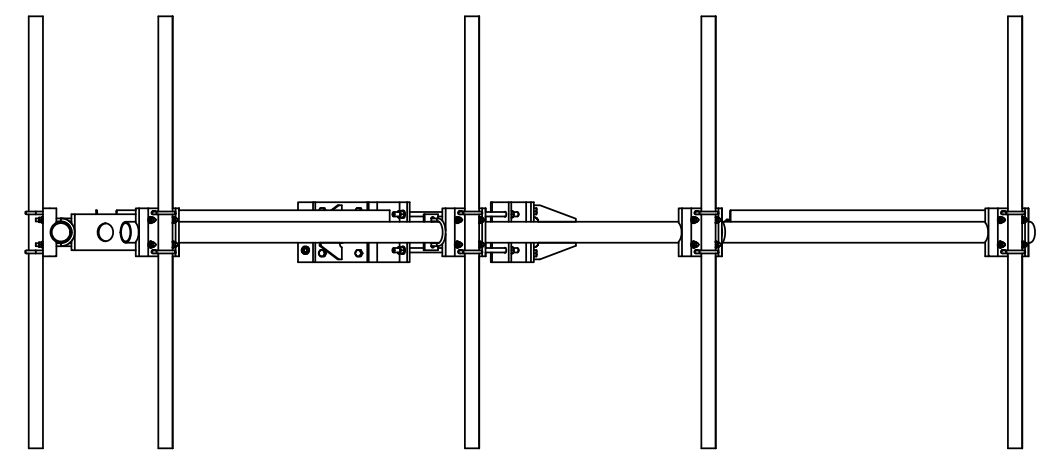
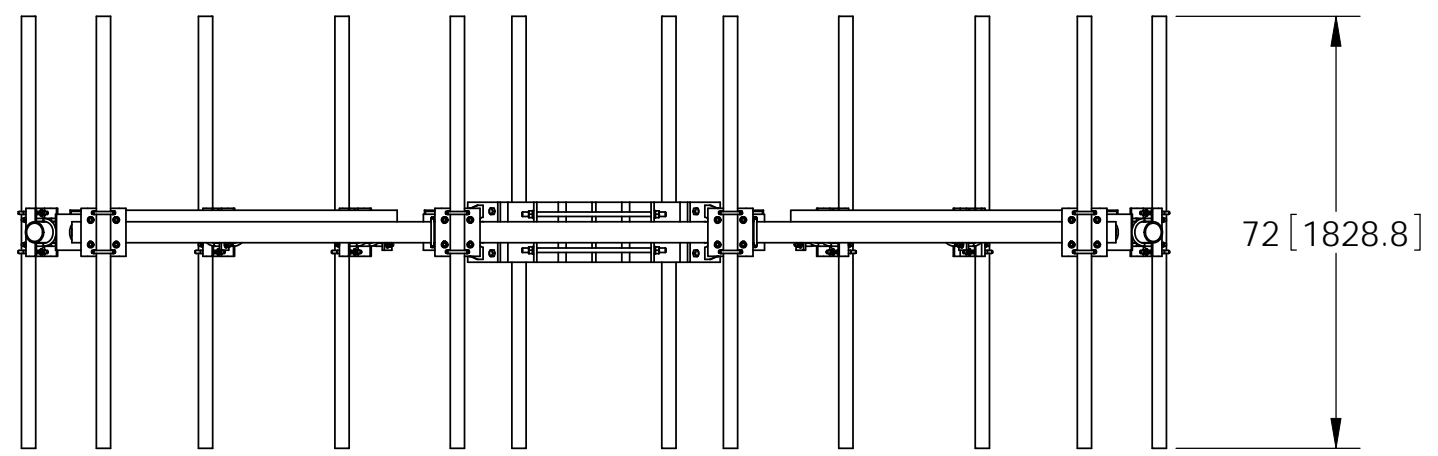
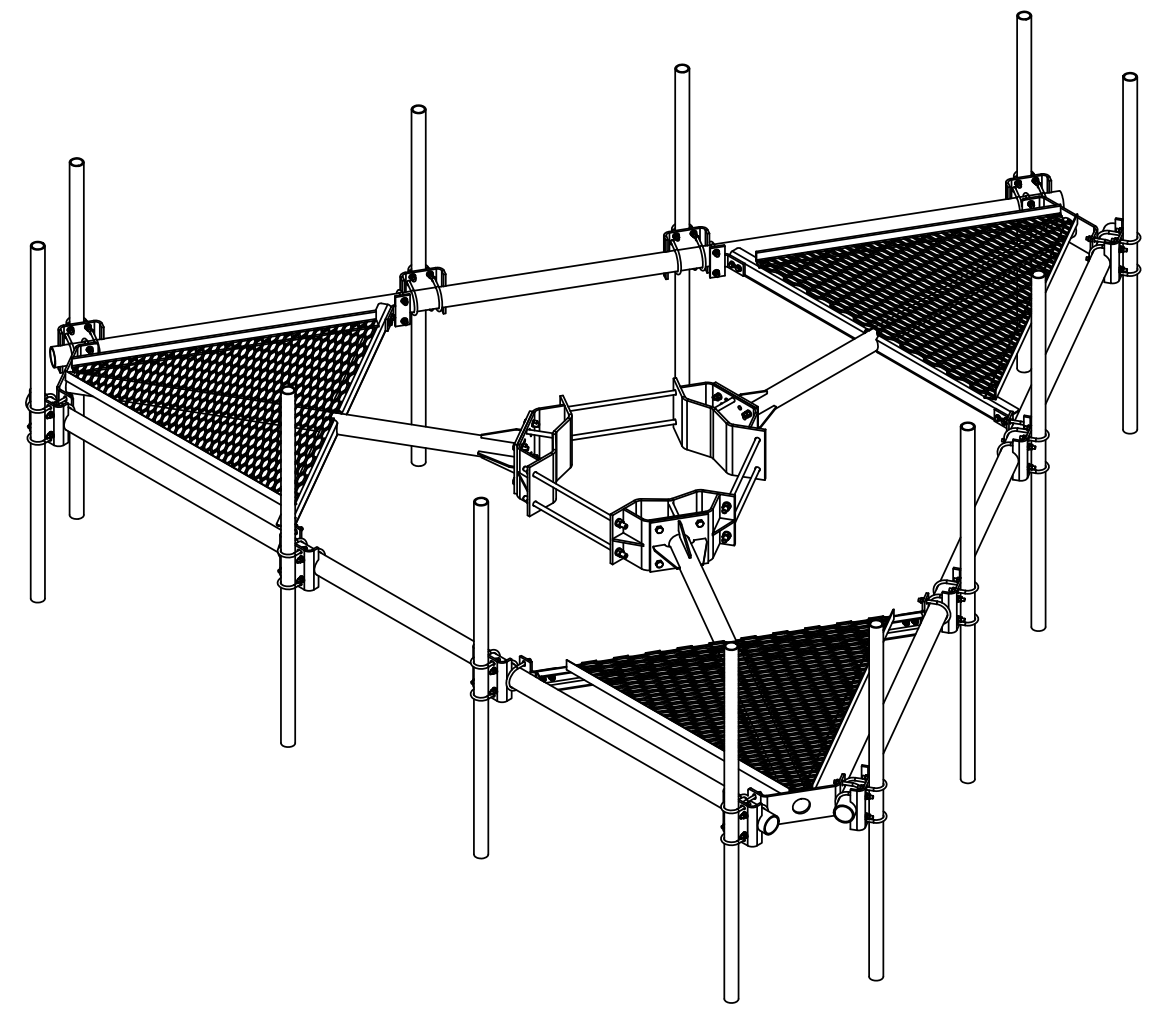
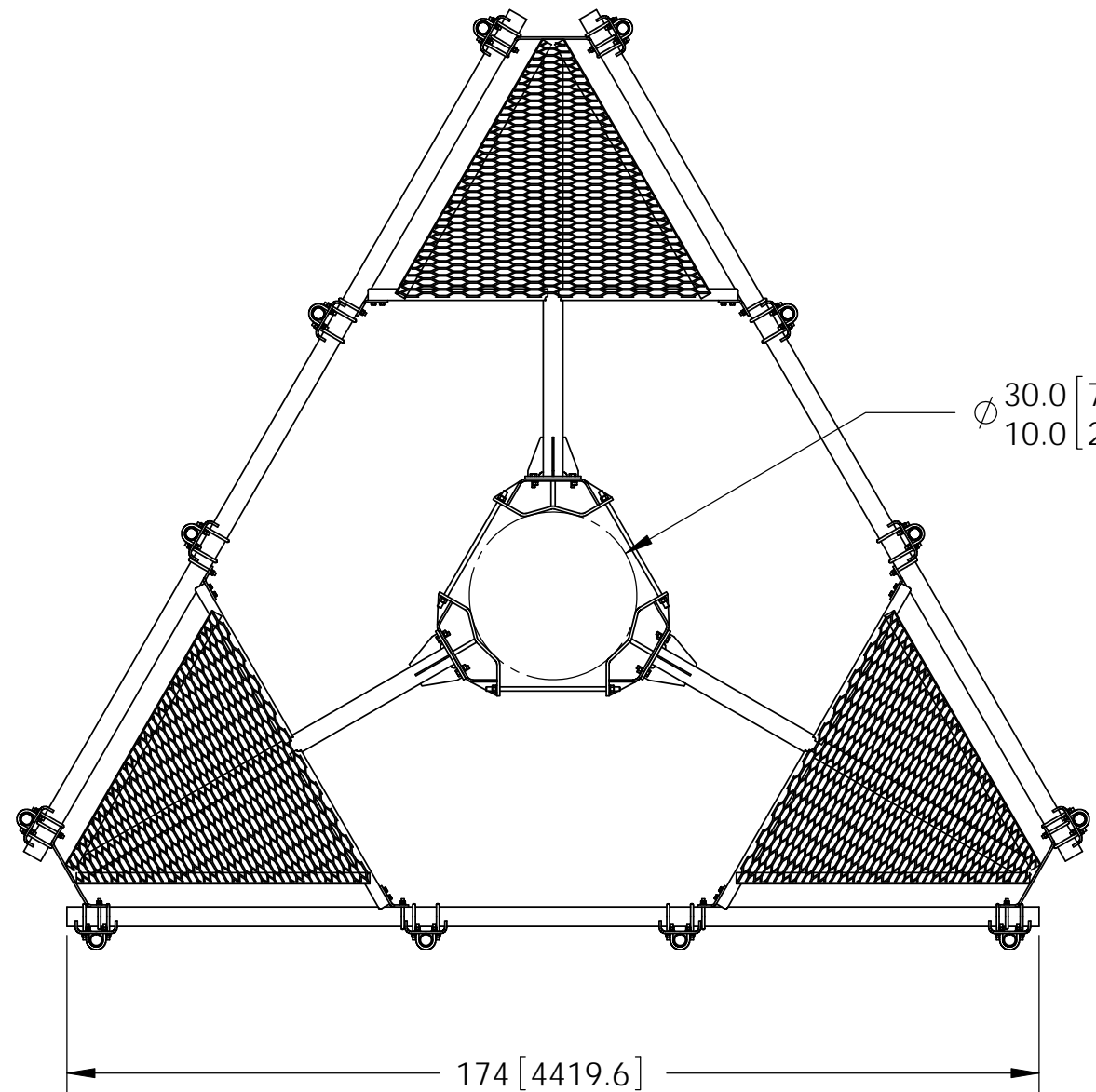
DRAWN BY: DI	SHEET: 3 of 4
CHECKED BY: TP	SCALE: NTS
DATE: 03/04/05	MATERIAL: A36, A53, A500
REVISION: <b>C</b>	FINISH: GALV A123
	WEIGHT: SEE TABLE

PART NUMBER: **MC-PK14S-12 SERIES**


DESCRIPTION:  
Low Profile Co-Location Platform Kit

DRAWING TYPE:  
ASSEMBLY DRAWING

**ANDREW**®  
ORLAND PARK, IL. 60462  
U.S.A.



**MC-PK14S-12-72 SHOWN**

<p>These drawings and specifications are the proprietary property of ANDREW CORPORATION and may be used only for the specific purpose authorized in writing by Andrew Corporation.</p> <p>ALL DIMENSIONS ARE IN INCHES U.O.S. TOLERANCES UNLESS OTHERWISE SPECIFIED:</p> <p>.X = ± .12      ANGLES      ±2° .XX = ± .06      FRACTIONS      ±1/32 .XXX = ± .03</p> <p>REMOVE BURRS AND BREAK EDGES .005</p> <p>DO NOT SCALE THIS PRINT</p>	<p>DRAWN BY: DJ</p>	<p>SHEET: 4 of 4</p>	<p>PART NUMBER: MC-PK14S-B SERIES</p>
	<p>CHECKED BY: TP</p>	<p>SCALE: NTS</p>	<p>DESCRIPTION: LOW PROFILE CO LOCATION PLATFORM KIT</p>
	<p>DATE: 03/04/05</p>	<p>MATERIAL: A36, A53, A500</p>	<p>DRAWING TYPE: ASSEMBLY DRAWING</p>
	<p>REVISION: C</p>	<p>FINISH: GALV A123</p> <p>WEIGHT: 994.74 LBS</p>	 <p>ORLAND PARK, IL. 60462 U.S.A.</p>