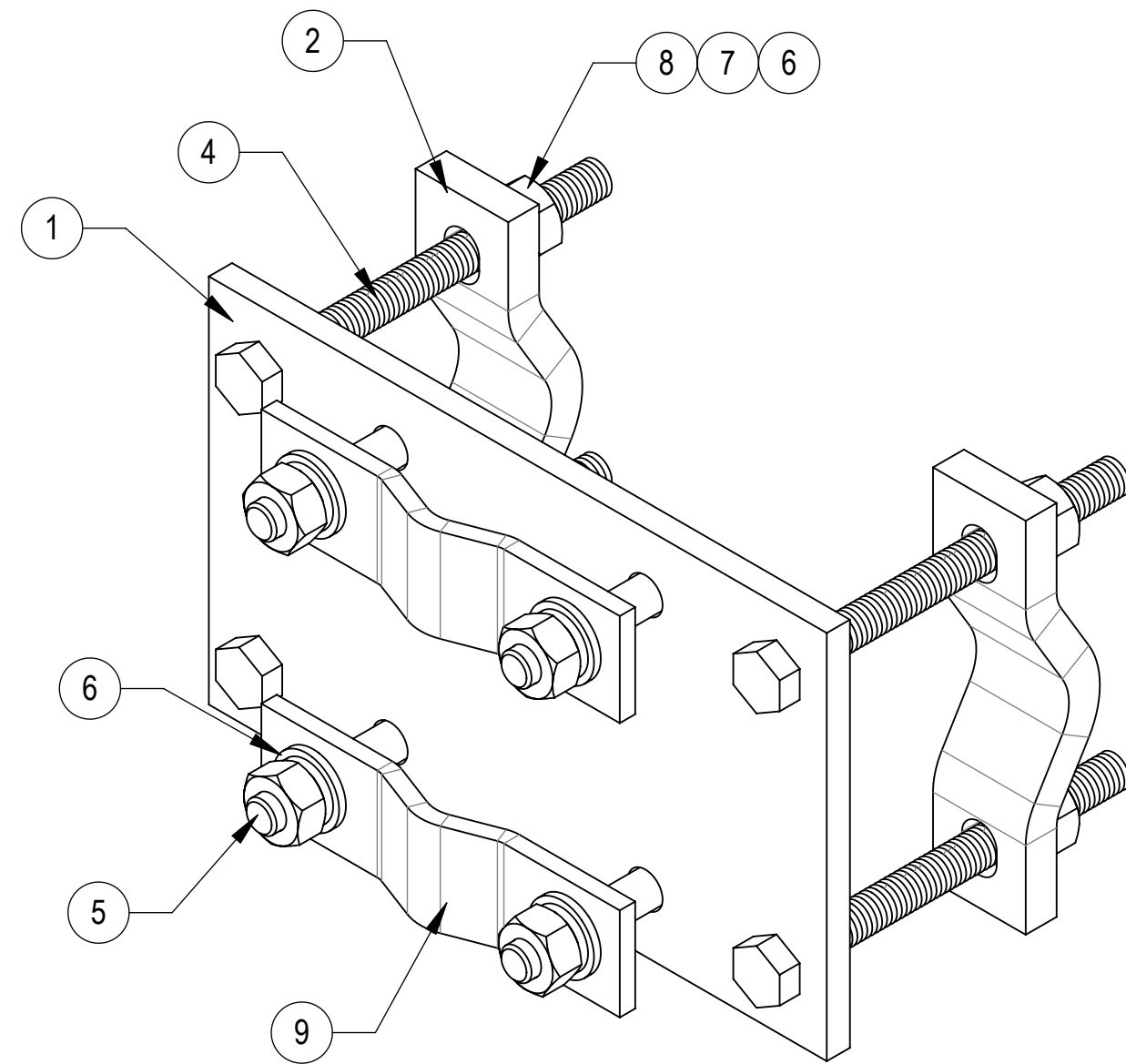
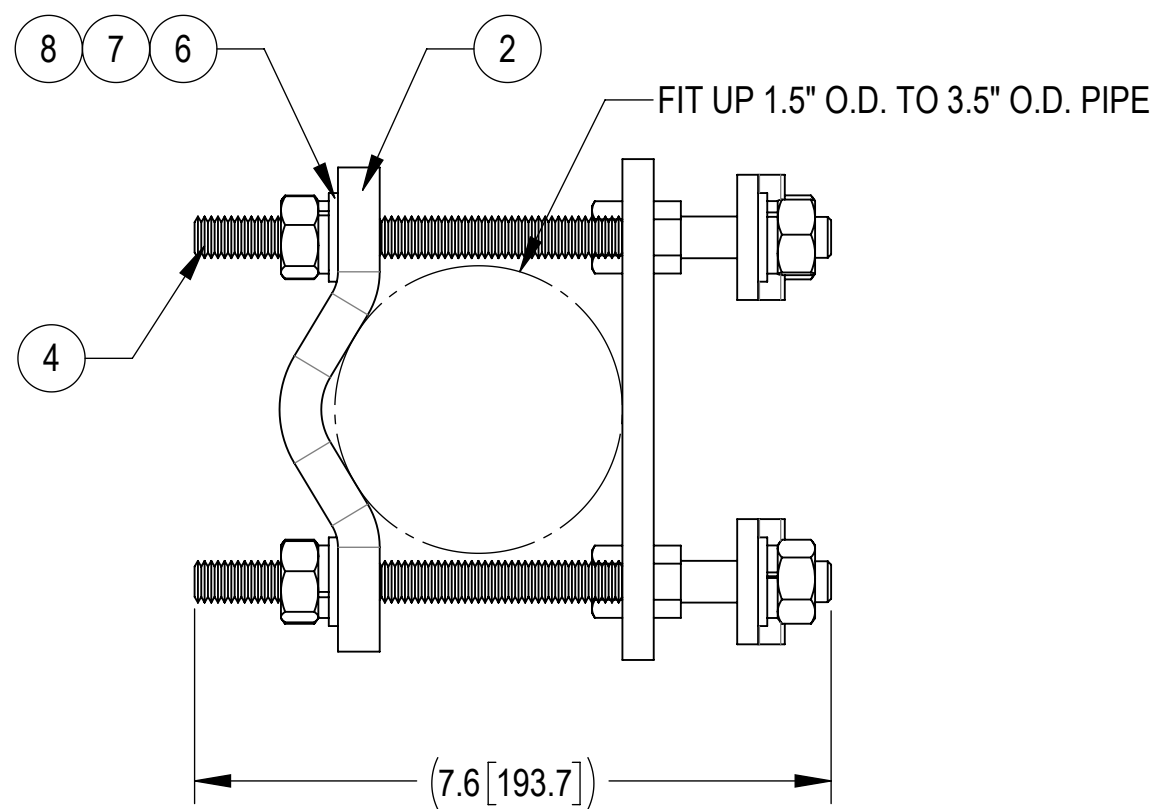
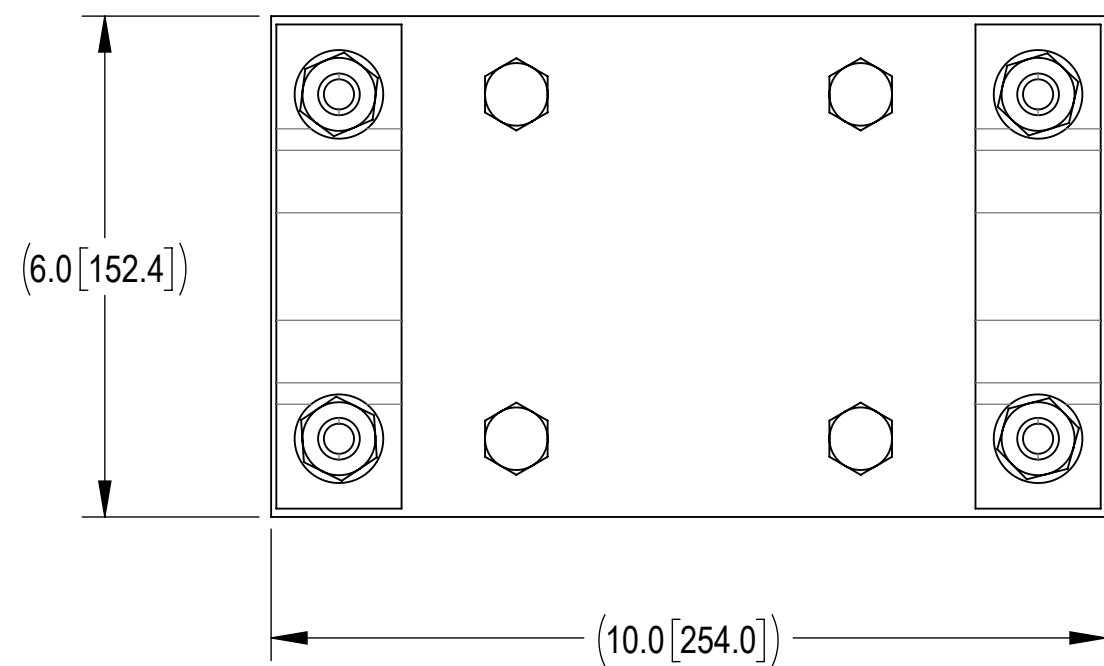
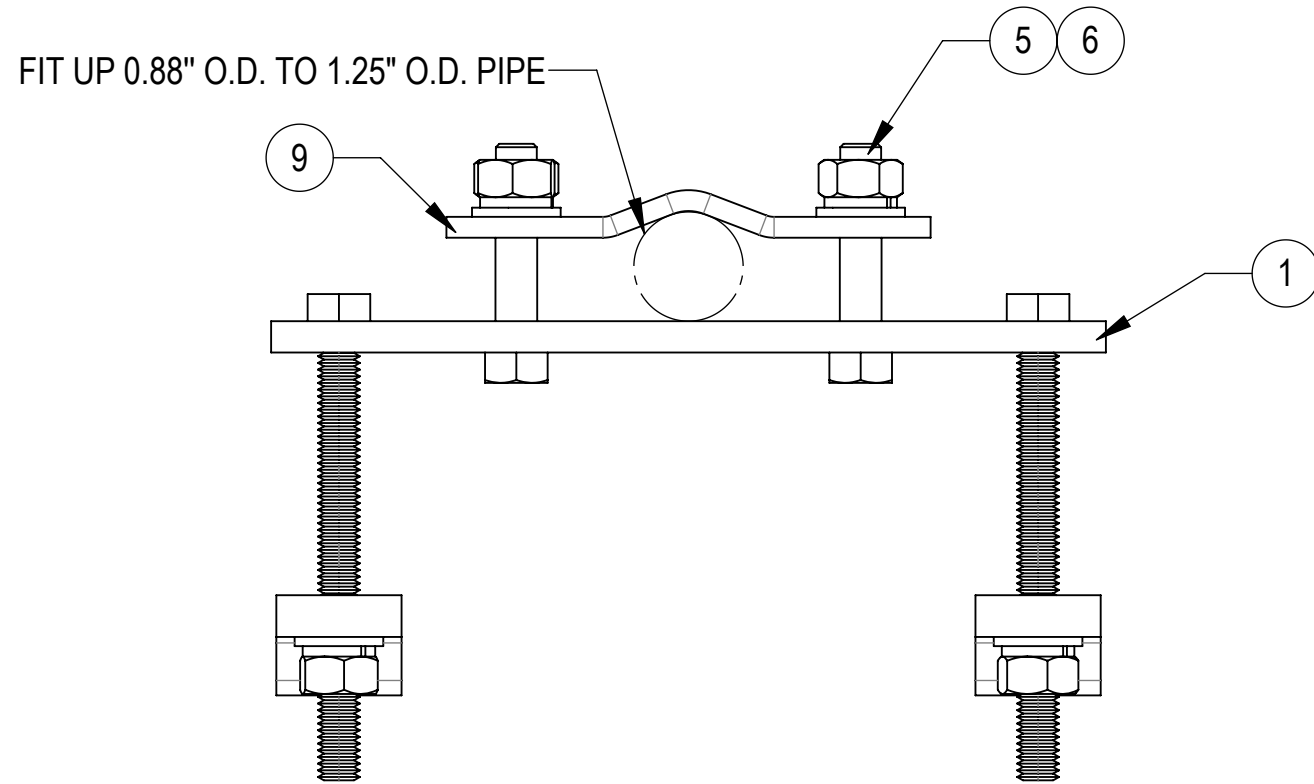


- 1.0 GENERAL NOTES  
 1.1 ALL METRIC DIMENSIONS ARE IN BRACKETS [X.X]  
 1.2 FOR PATENT INFO: <https://www.adwpat.com>  
 2.0 DESIGN NOTES  
 2.1 ANY HAZARDS OR OBSTRUCTIONS TO THE CLIMBING FACILITY AND SAFETY CLIMB MUST BE IDENTIFIED PRIOR TO INSTALLING THE APPURTENANCE. ADDITIONAL PRODUCTS MAY BE REQUIRED TO MAINTAIN THE INTEGRITY OF THE SAFETY CLIMB. DURING INSTALLATION, TEMPORARY AND/OR PERMANENT PRECAUTIONARY MEASURES SHOULD BE TAKEN TO PRESERVE THE CLIMBING FACILITY AND/OR SAFETY CLIMB.  
 3.0 MANUFACTURING/SPECIAL REQUIREMENTS  
 3.1 TIGHTEN ALL BOLTS SECURING FLAT PLATES BY THE TURN-OF-NUT METHOD.  
 4.0 TEST  
 5.0 PACKAGING  
 5.1 PACKAGING SHALL MEET ANDREW REQUIREMENTS PER DOCUMENT IS-PL-3005  
 5.2 PRINTED DOCUMENT TO BE PLACED INSIDE POLYBAG AND THEN IN SHIPPING CONTAINER  
 5.3 EXTRA HARDWARE MAY BE SUPPLIED, BAGGED AND SHIPPED

REVISIONS			
REV.	DESCRIPTION	DATE	APPROVED
A	INITIAL RELEASE	CAM 25NOV01	TP
B	UPDATED DRAWING FORMAT	NSUN 15OCT25	BA1025 50105333AMO



COMPONENT PART NUMBERS PROVIDED FOR ASSEMBLY PURPOSES;  
 INDIVIDUAL COMPONENTS MAY BE SHIPPED AS PARTS WITHIN AN INCLUDED KIT.

ITEM	PART NO.	DESCRIPTION	QTY.	WEIGHT	NOTE NO.
1	COP	CROSSOVER PLATE, 6" X 10"	1	6.13 LBS	
2	SCP10	CLAMP HALF: 1/2", 9/16" HOLE, 4-1/8" (EA)	2	1.20 LBS	
9	CO7801	7/8" TO 1-1/4" CLAMP HALF	2	0.57 LBS	
4	12550B2	1/2" X 5-1/2" GALV FULL THREAD BOLT	4	0.27 LBS	
5	GB-0424A	1/2" X 2-1/2" GALV BOLT KIT (A325)	4	0.19 LBS	
6	GWF04A	1/2" GALV FLAT WASHER (A325)	8	0.02 LBS	
7	GWL-04	1/2" GALV LOCK WASHER	4	0.01 LBS	
8	GN-04A	1/2" GALV HEX NUT (A194 2H)	4	0.07 LBS	

DENSITY	12.30	lbs/in <sup>3</sup>
MASS	43.64	lbs
VOLUME	366.41	in <sup>3</sup>
SURFACE AREA	7.6	in <sup>2</sup>
HEIGHT	6.0"	
LENGTH	10.0"	
WIDTH	7.6"	

**ANDREW**® an Amphenol company

TOLERANCES: 1 PLACE .X[X] ± 0.06[1.5], 2 PLACE .XX[X] ± 0.03[0.8], 3 PLACE .XXX[X] ± 0.010[0.3], ANGLES ± 2°

SAP MATERIAL MASTER: **CO-78**

FINISH: [Blank] MATERIAL: [Blank]

NAME	DATE	TITLE
CE CAM	25NOV01	<b>CROSSOVER PLT .88"-1.25" TO 1.5"-3.5"OD</b>
RW NSUN	10/15/2025	
AD YMENG	10/16/2025	
RE YMENG	10/26/2025	

SCALE: **1:2** DOCUMENT NO.: **CO-78**

ECN 50105333AMO

SIZE	Auth Group	INSL	MODEL	DRAWING			SHEET
<b>C</b>	[Symbol]	[Symbol]	01	RE	<b>B</b>	01	RE <b>B</b>

1 OF 1

Confidential