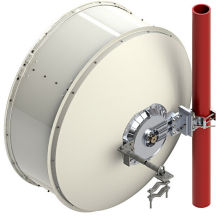


SHPX4-11W

Base Product



1.2 m | 4 ft Sentinel® High Performance Antenna, dualpolarized, 10.000–11.700 GHz

Product Classification

Product Type

Microwave antenna

General Specifications

Antenna Type

SHPX - Sentinel® High Performance Antenna, dual-polarized

Polarization

Dual

Side Struts, Included

1 inboard

Side Struts, Optional

1 inboard

Dimensions

Diameter, nominal

1.2 m | 4 ft

Electrical Specifications

Operating Frequency Band

10.000 – 11.700 GHz

Gain, Low Band

39.7 dBi

Gain, Mid Band

40.8 dBi

Gain, Top Band

41.3 dBi

Boresite Cross Polarization Discrimination (XPD)

40 dB

Front-to-Back Ratio

75 dB

Beamwidth, Horizontal

1.6 °

Beamwidth, Vertical

1.6 °

Return Loss

23.1 dB

VSWR

1.15

Radiation Pattern Envelope Reference (RPE)

7410 | 7418

Electrical Compliance

ACMA FX03_10a | ACMA FX03_11a | Canada
SRSP 310.7 Part B | ETSI 302 217 Class 3 @
10.0 - 11.7 GHz | ETSI 302 217 Class 4 @ 10.55 -

SHPX4-11W

11.7 GHz | IC 3105 | US FCC Part 101A @
10.55–10.7 GHz | US FCC Part 101A @ 10.7–
11.7 GHz | US FCC Part 101B @ 10.125–11.7
GHz

ETSI EN 302217 XPD Category 3

Cross Polarization Discrimination (XPD) Electrical Compliance

Mechanical Specifications

Compatible Mounting Pipe Diameter

115 mm | 4.5 in

Fine Azimuth Adjustment Range

±15°

Fine Elevation Adjustment Range

±15°

Wind Speed, operational

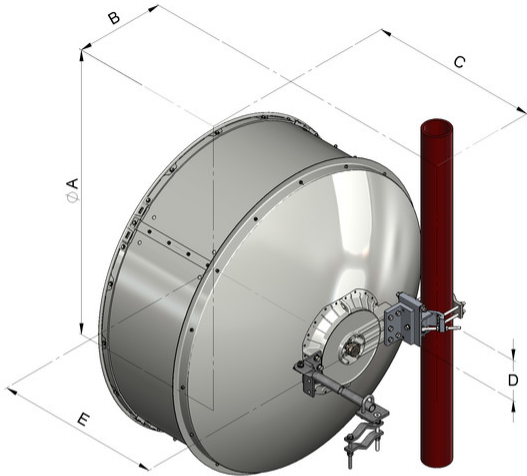
201 km/h | 124.896 mph

Wind Speed, survival

250 km/h | 155.343 mph

SHPX4-11W

Antenna Dimensions and Mounting Information



Dimensions in inches (mm)					
Antenna size, ft (m)	A	B	C	D	E
4 (1.2)	50.8 (1291)	16 (407)	30.2 (767)	7.2 (183)	29.5 (748)

Wind Forces at Wind Velocity Survival Rating

Axial Force (FA)

5326 N | 1,197.333 lbf

Side Force (FS)

2638 N | 593.046 lbf

Twisting Moment (MT)

2162 N-m | 19,135.312 in lb

Force on Inboard Strut Side

2862 N | 643.403 lbf

Zcg without Ice

43 mm | 1.693 in

Zcg with 1/2 in (12 mm) Radial Ice

284 mm | 11.181 in

Weight with 1/2 in (12 mm) Radial Ice

74 kg | 163.142 lb

SHPX4-11W

Wind Forces at Wind Velocity Survival Rating Image



Packaging and Weights

Weight, net

32 kg | 70.548 lb

* Footnotes

Operating Frequency Band

Bands correspond with CCIR recommendations or common allocations used throughout the world. Other ranges can be accommodated on special order.

Gain, Mid Band

For a given frequency band, gain is primarily a function of antenna size. The gain of Andrew antennas is determined by either gain by comparison or by computer integration of the measured antenna patterns.

Boresite Cross Polarization Discrimination (XPD)

The difference between the peak of the co-polarized main

Page 4 of 6

SHPX4-11W

Front-to-Back Ratio

beam and the maximum cross-polarized signal over an angle twice the 3 dB beamwidth of the co-polarized main beam.

Denotes highest radiation relative to the main beam, at $180^\circ \pm 40^\circ$, across the band. Production antennas do not exceed rated values by more than 2 dB unless stated otherwise.

Return Loss

The figure that indicates the proportion of radio waves incident upon the antenna that are rejected as a ratio of those that are accepted.

VSWR

Maximum; is the guaranteed Peak Voltage-Standing-Wave-Ratio within the operating band.

Radiation Pattern Envelope Reference (RPE)

Radiation patterns define an antenna's ability to discriminate against unwanted signals. Under still dry conditions, production antennas will not have any peak exceeding the current RPE by more than 3dB, maintaining an angular accuracy of $\pm 1^\circ$ throughout

Cross Polarization Discrimination (XPD) Electrical Compliance

The difference between the peak of the co-polarized main beam and the maximum cross-polarized signal over an angle twice the 3 dB beamwidth of the co-polarized main beam.

Wind Speed, operational

For VHLP(X), SHP(X), HX and USX antennas, the wind speed where the maximum antenna deflection is 0.3 x the 3 dB beam width of the antenna. For other antennas, it is defined as a deflection is equal to or less than 0.1 degrees.

Wind Speed, survival

The maximum wind speed the antenna, including mounts and radomes, where applicable, will withstand without permanent deformation. Realignment may be required. This wind speed is applicable to antenna with the specified amount of radial ice.

Axial Force (FA)

Maximum forces exerted on a supporting structure as a result of wind from the most critical direction for this parameter. The individual maximums specified may not occur simultaneously. All forces are referenced to the mounting pipe.

Side Force (FS)

Maximum side force exerted on the mounting pipe as a result of wind from the most critical direction for this parameter. The individual maximums specified may not occur simultaneously. All forces are referenced to the mounting pipe.

Twisting Moment (MT)

Maximum forces exerted on a supporting structure as a result of wind from the most critical direction for this

SHPX4-11W

parameter. The individual maximums specified may not occur simultaneously. All forces are referenced to the mounting pipe.