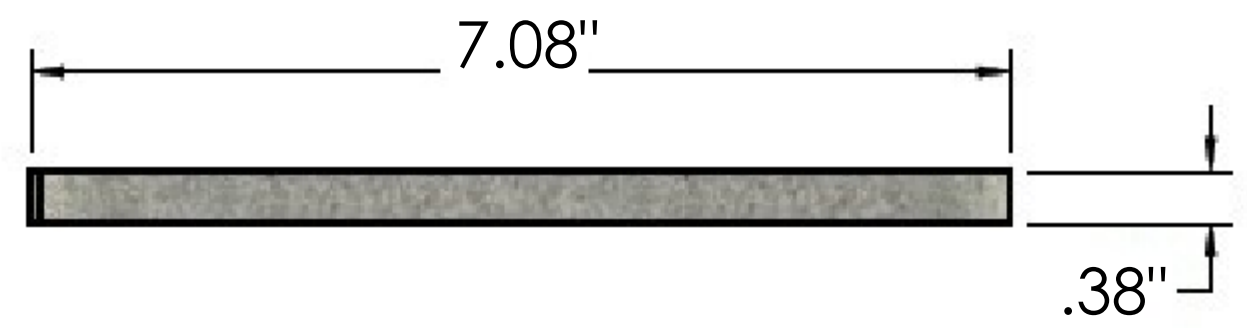
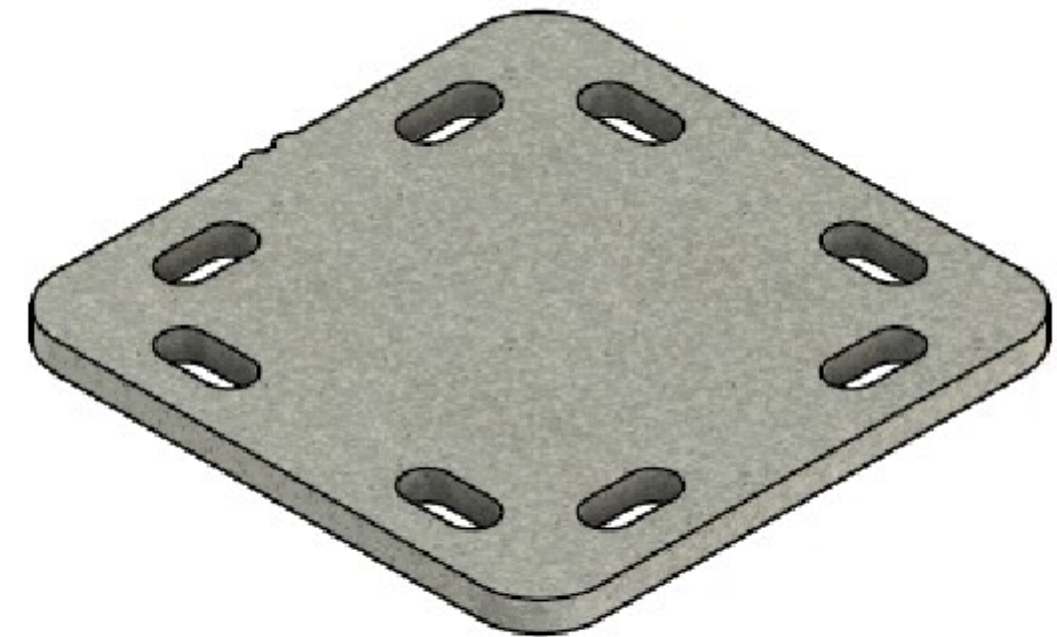
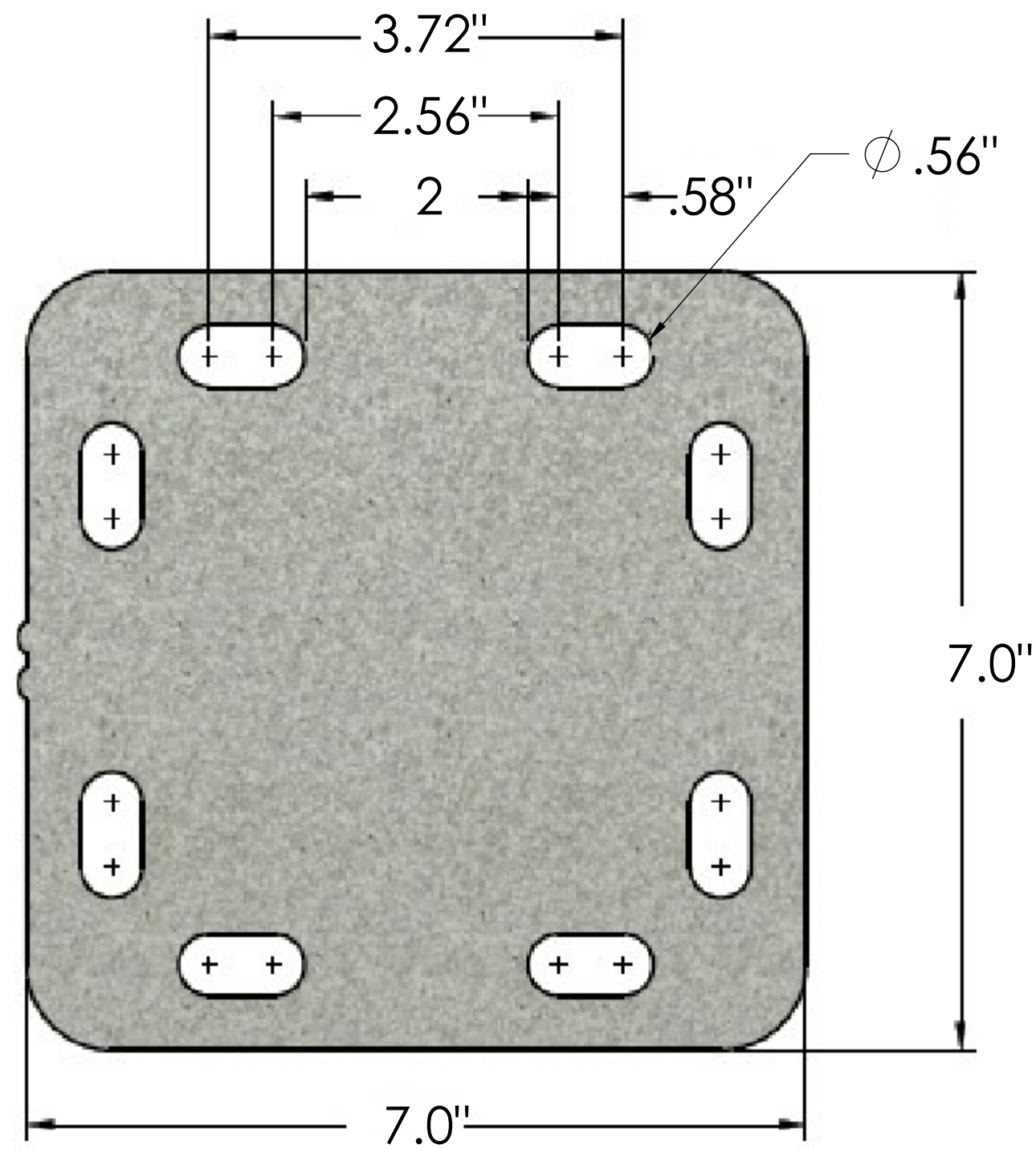


REVISIONS			
REV.	DESCRIPTION	BY	DATE
A	INITIAL RELEASE	MJP	11/17/23



TOLERANCES		SAP MATERIAL MASTER					
1 PLACE .X ± SEE NOTE 1		3 PLACE .XXX ±					
2 PLACE .XX ±		ANGLES ±					
FINISH		MATERIAL					
UNLESS OTHERWISE SPECIFIED DIMENSIONS ARE IN INCHES INTERPRET PER ANSI Y 14.5M-1994	NAME	DATE	TITLE				
	CE		U-X-PLATE-2T3				
	RW						
	AD						
	RE						
ECN		SCALE	DOCUMENT NO.				
		1:42	U-X-PLATE-2T3				
SIZE	Auth Group	MODEL		DRAWING			SHEET 1 OF 1
C		VERSION	STATUS	REVISION	VERSION	STATUS	

DENSITY	lbs/in ³
MASS	lbs
VOLUME	in ³
SURFACE AREA	in ²
HEIGHT	
LENGTH	
WIDTH	