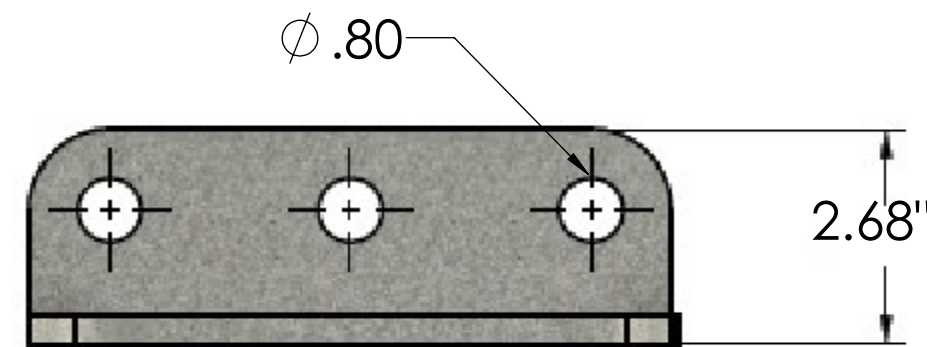
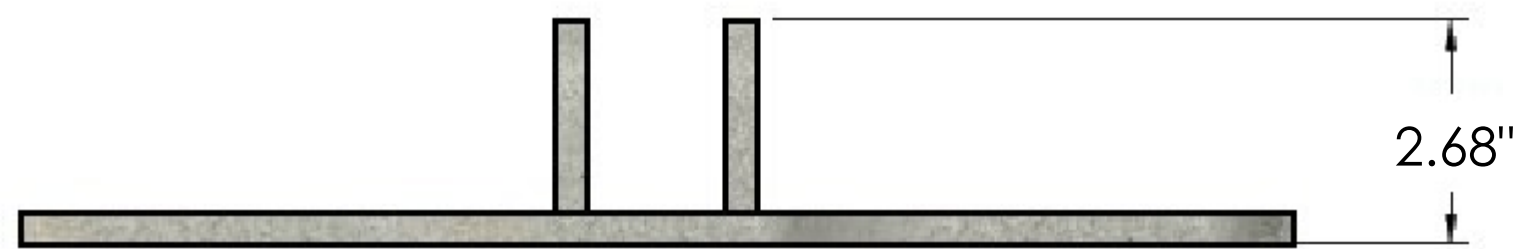
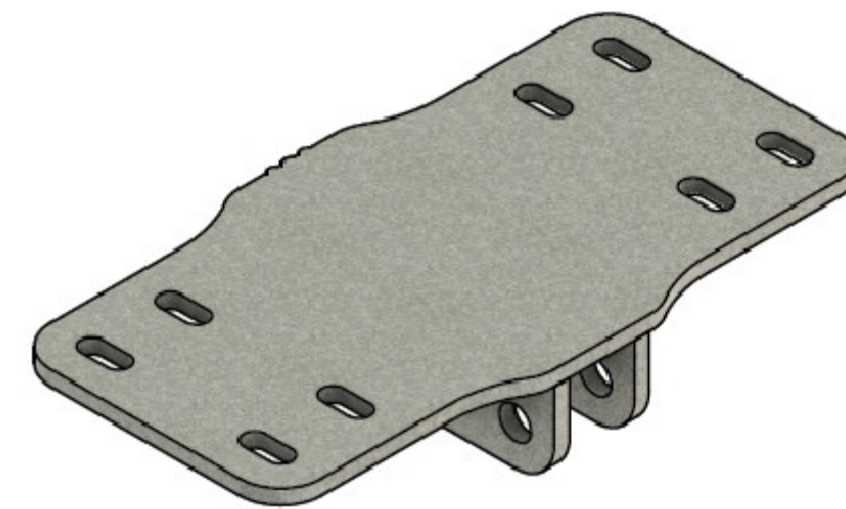
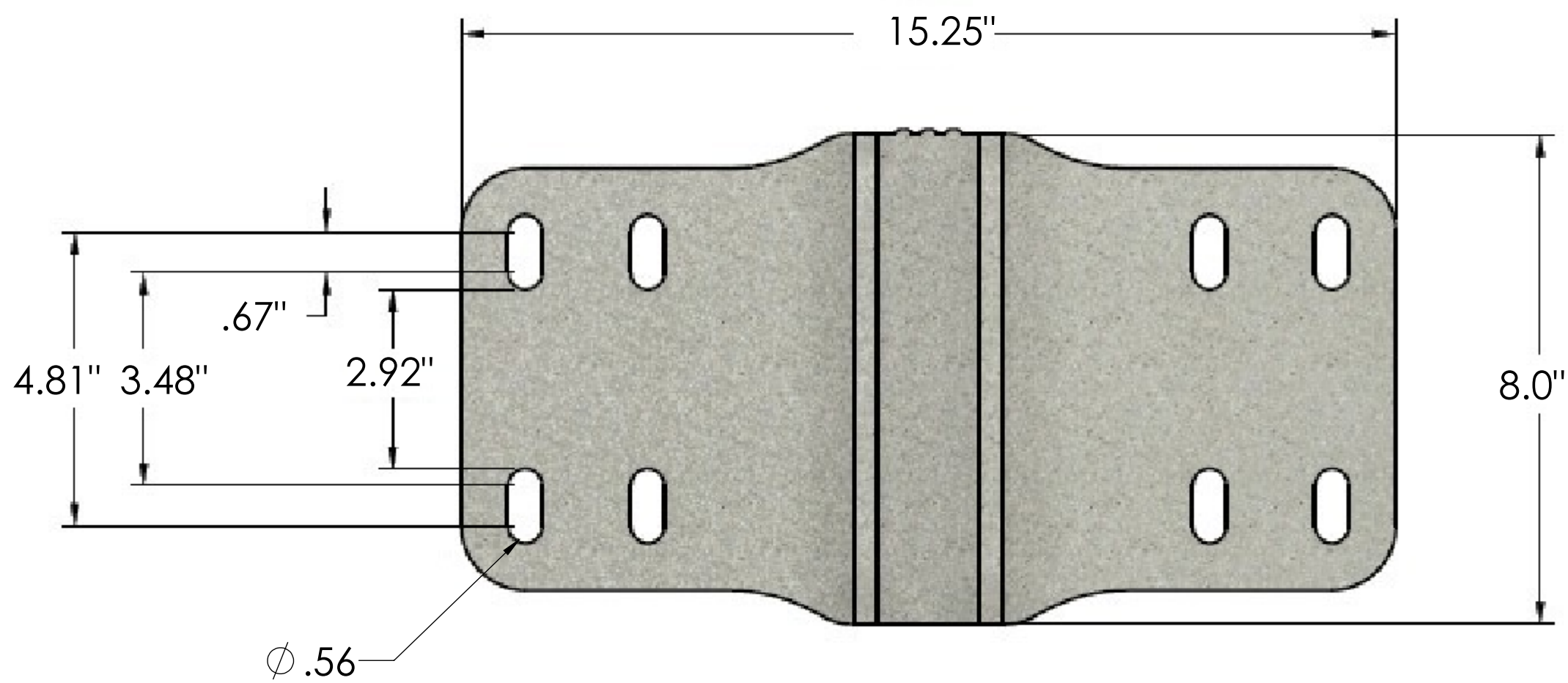


REVISIONS			
REV.	DESCRIPTION	BY	DATE
A	INITIAL RELEASE	MJP	11/17/23



TOLERANCES		SAP MATERIAL MASTER																					
1 PLACE .X ± SEE NOTE 1 3 PLACE .XXX ±																							
2 PLACE .XX ±		ANGLES ±																					
FINISH		MATERIAL																					
UNLESS OTHERWISE SPECIFIED DIMENSIONS ARE IN INCHES INTERPRET PER ANSI Y 14.5M-1994		<table border="1"> <thead> <tr> <th>NAME</th> <th>DATE</th> <th>TITLE</th> </tr> </thead> <tbody> <tr> <td>CE</td> <td></td> <td rowspan="5">U-PANEL-MF-PRP-3T4</td> </tr> <tr> <td>RW</td> <td></td> </tr> <tr> <td>AD</td> <td></td> </tr> <tr> <td>RE</td> <td></td> </tr> <tr> <td>ECN</td> <td></td> </tr> </tbody> </table>		NAME	DATE	TITLE	CE		U-PANEL-MF-PRP-3T4	RW		AD		RE		ECN							
NAME	DATE	TITLE																					
CE		U-PANEL-MF-PRP-3T4																					
RW																							
AD																							
RE																							
ECN																							
SCALE 1:42		DOCUMENT NO. U-PANEL-MF-PRP-3T4																					
SIZE C		<table border="1"> <thead> <tr> <th colspan="3">MODEL</th> <th colspan="3">DRAWING</th> <th rowspan="2">SHEET 1 OF 1</th> </tr> <tr> <th>VERSION</th> <th>STATUS</th> <th>REVISION</th> <th>VERSION</th> <th>STATUS</th> <th>REVISION</th> </tr> </thead> <tbody> <tr> <td></td> <td></td> <td></td> <td></td> <td></td> <td></td> <td></td> </tr> </tbody> </table>		MODEL			DRAWING			SHEET 1 OF 1	VERSION	STATUS	REVISION	VERSION	STATUS	REVISION							
MODEL			DRAWING			SHEET 1 OF 1																	
VERSION	STATUS	REVISION	VERSION	STATUS	REVISION																		

DENSITY	lbs/in ³
MASS	lbs
VOLUME	in ³
SURFACE AREA	in ²
HEIGHT	
LENGTH	
WIDTH	