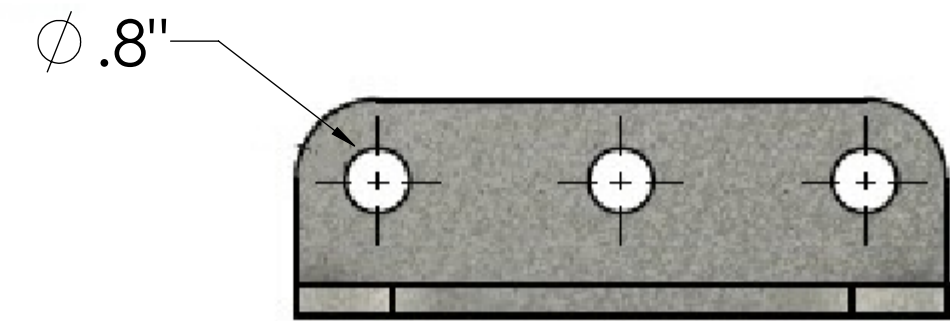
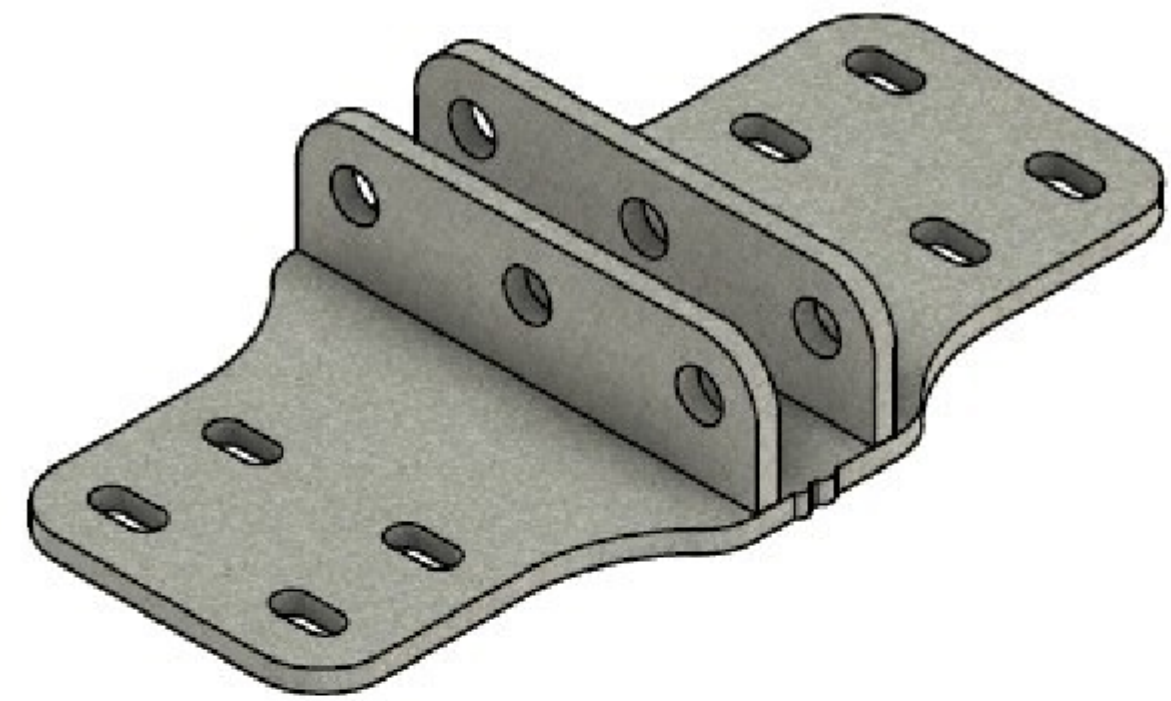
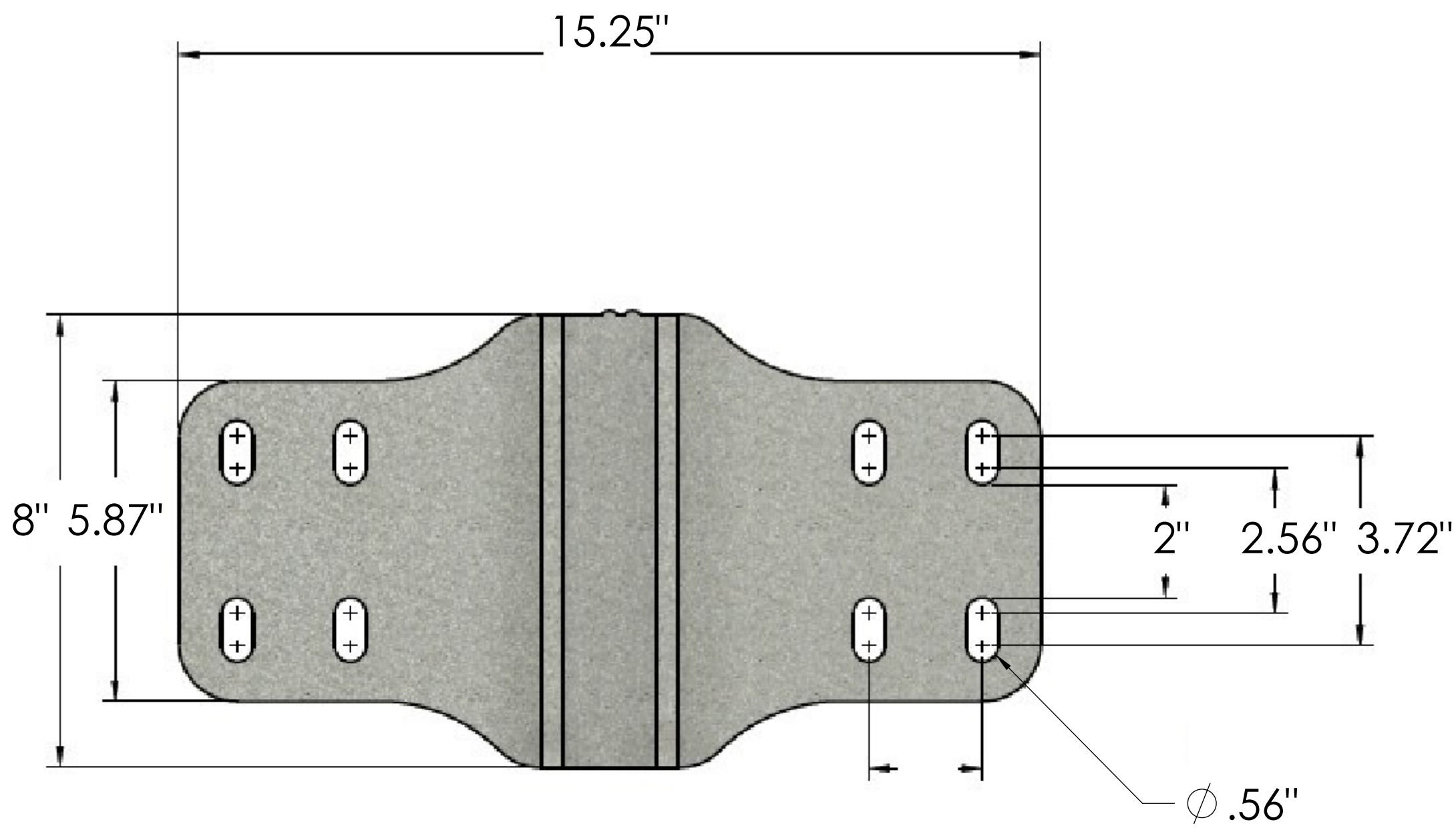


REVISIONS			
REV.	DESCRIPTION	BY	DATE
A	INITIAL RELEASE	MJP	11/17/23



1 PLACE .X ± SEE NOTE 1		3 PLACE .XXX ±		SAP MATERIAL MASTER	
2 PLACE .XX ±		ANGLES ±		MATERIAL	
FINISH		MATERIAL			
UNLESS OTHERWISE SPECIFIED DIMENSIONS ARE IN INCHES INTERPRET PER ANSI Y 14.5M-1994	NAME	DATE	TITLE		
	CE		U-PANEL-MF-PRP-2T3		
	RW		SCALE		
	AD		DOCUMENT NO.		
	RE		1:42 U-PANEL-MF-PRP-2T3		
ECN					
SIZE	Auth Group	MODEL		DRAWING	
C		VERSION	STATUS	REVISION	VERSION
					STATUS
					REVISION
					SHEET
					1 OF 1

DENSITY	lbs/in ³
MASS	lbs
VOLUME	in ³
SURFACE AREA	in ²
HEIGHT	
LENGTH	
WIDTH	

