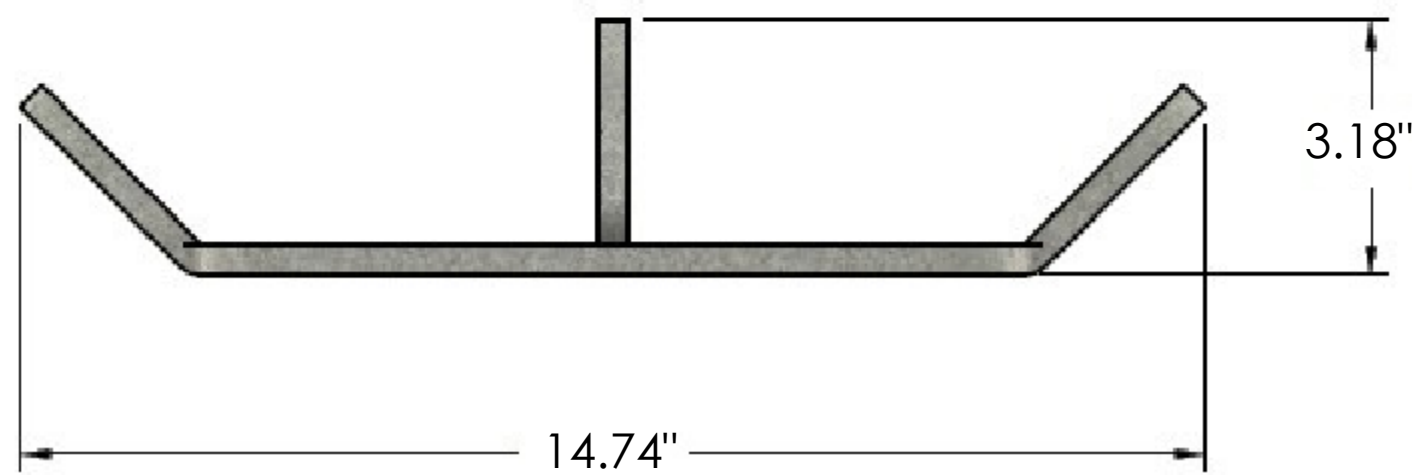
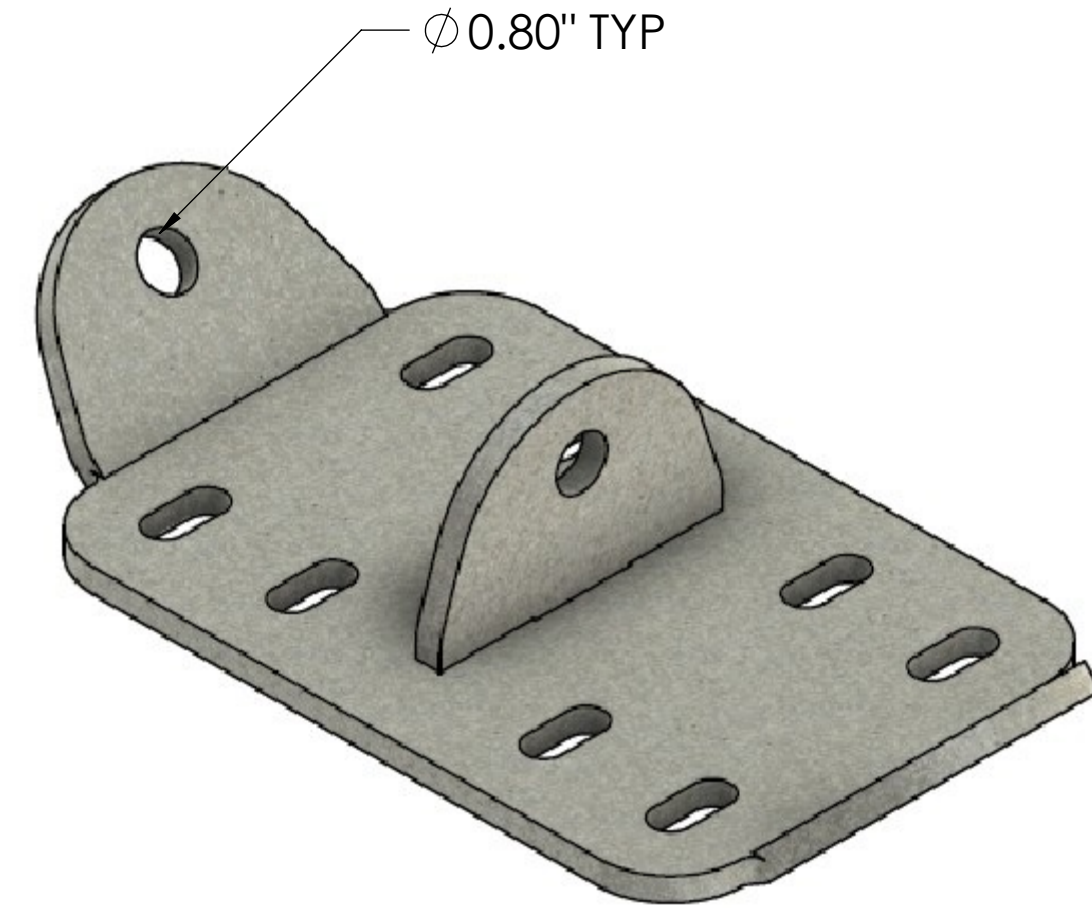
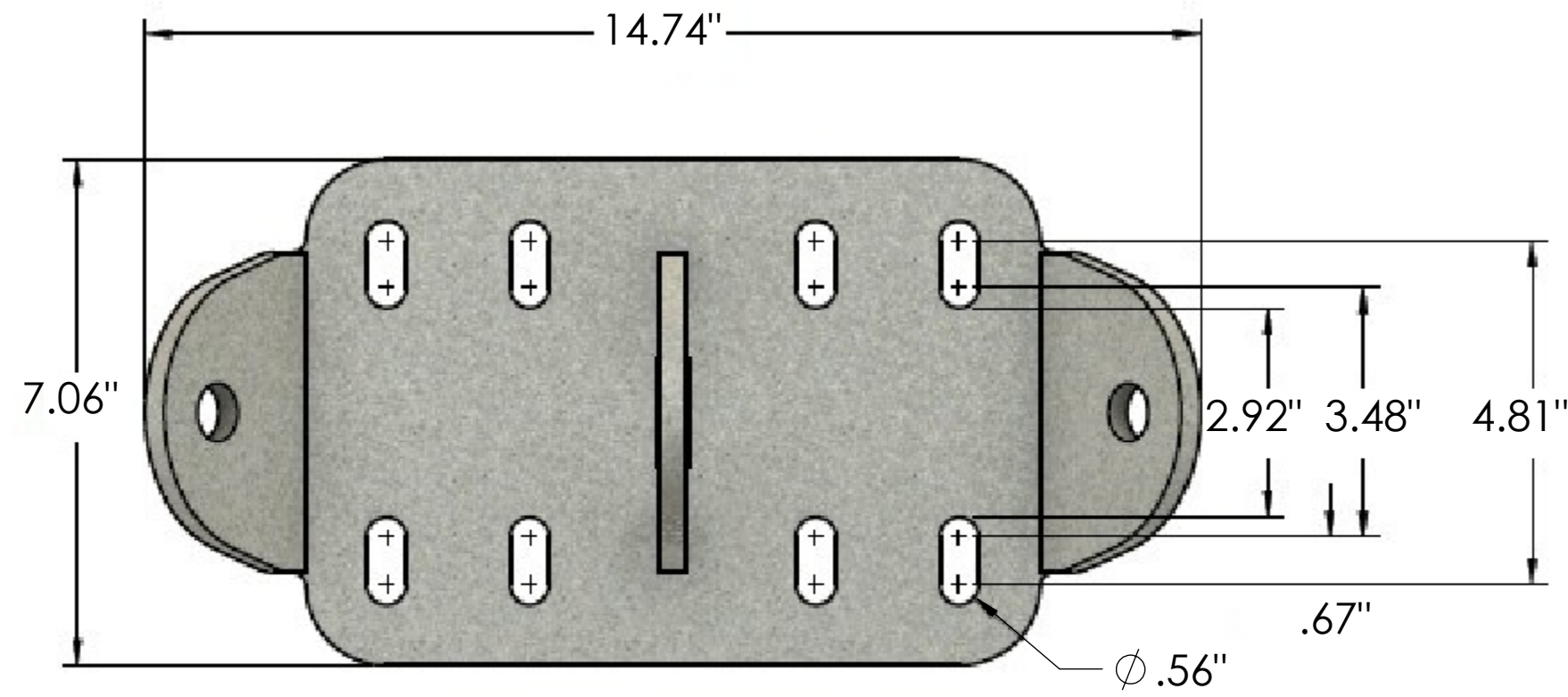


REVISIONS			
REV.	DESCRIPTION	BY	DATE
A	INITIAL RELEASE	MJP	11/17/23



TOLERANCES		SAP MATERIAL MASTER			
1 PLACE .X ± SEE NOTE 1		3 PLACE .XXX ±			
2 PLACE .XX ±		ANGLES ±			
FINISH		MATERIAL			
UNLESS OTHERWISE SPECIFIED DIMENSIONS ARE IN INCHES INTERPRET PER ANSI Y 14.5M-1994		TITLE			
CE	NAME	DATE	U-BLADE-PRP-3T4-90		
RW					
AD					
RE					
ECN					
SCALE		DOCUMENT NO.			
1:42		U-BLADE-PRP-3T4-90			
SIZE	Auth Group	MODEL			
C		DRAWING			
		VERSION	STATUS	REVISION	VERSION
DENSITY	lbs/in ³	SHEET			
MASS	lbs	1 OF 1			
VOLUME	in ³				
SURFACE AREA	in ²				
HEIGHT					
LENGTH					
WIDTH					

DENSITY	lbs/in ³
MASS	lbs
VOLUME	in ³
SURFACE AREA	in ²
HEIGHT	
LENGTH	
WIDTH	