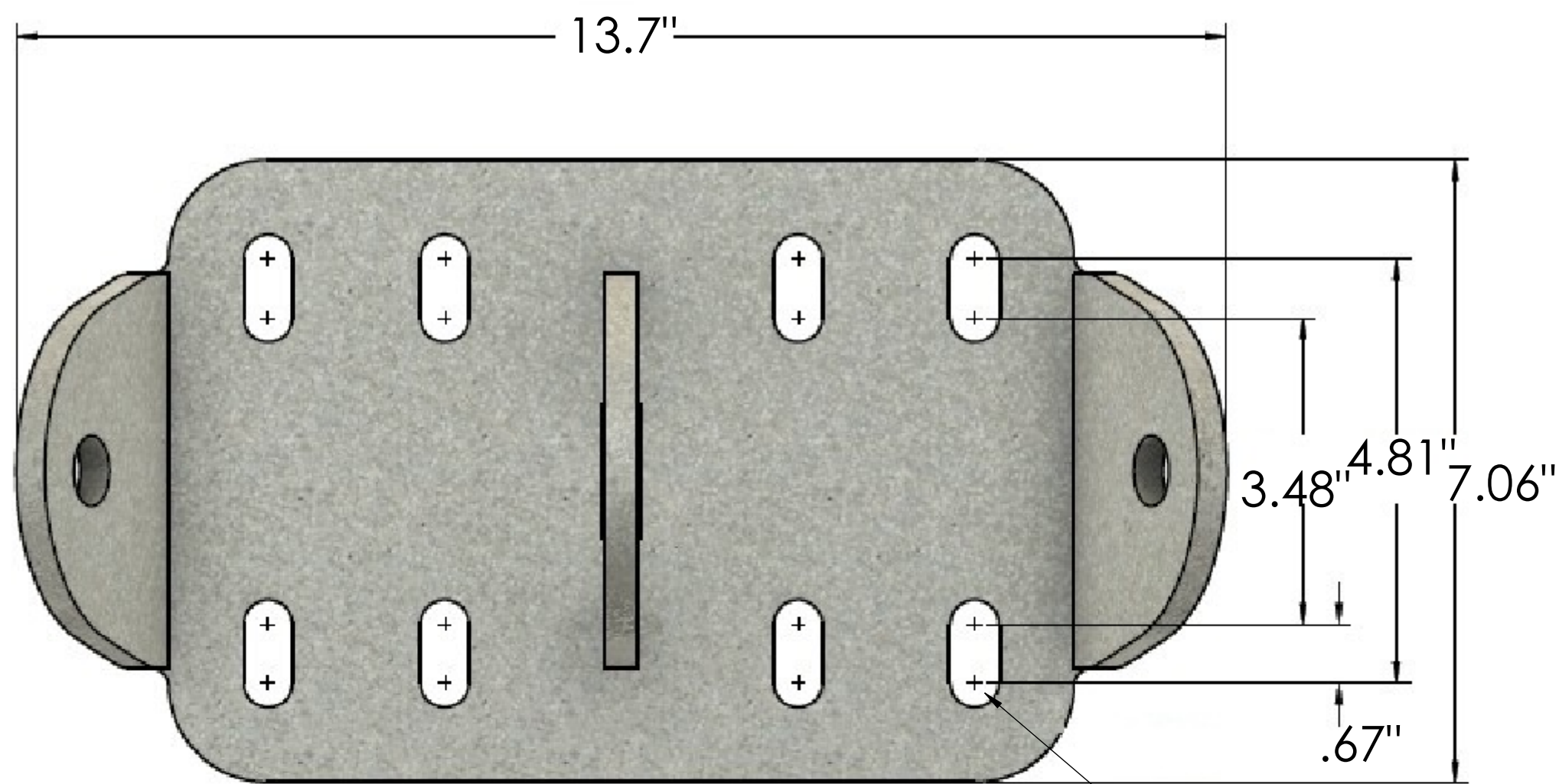
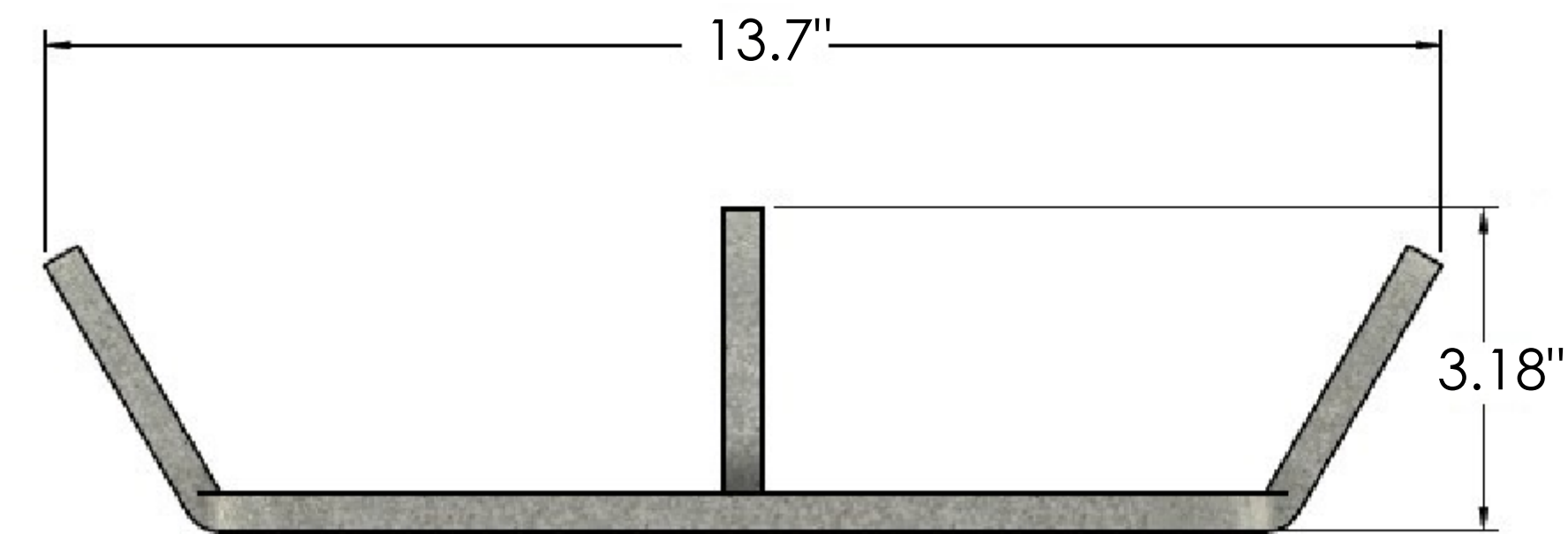
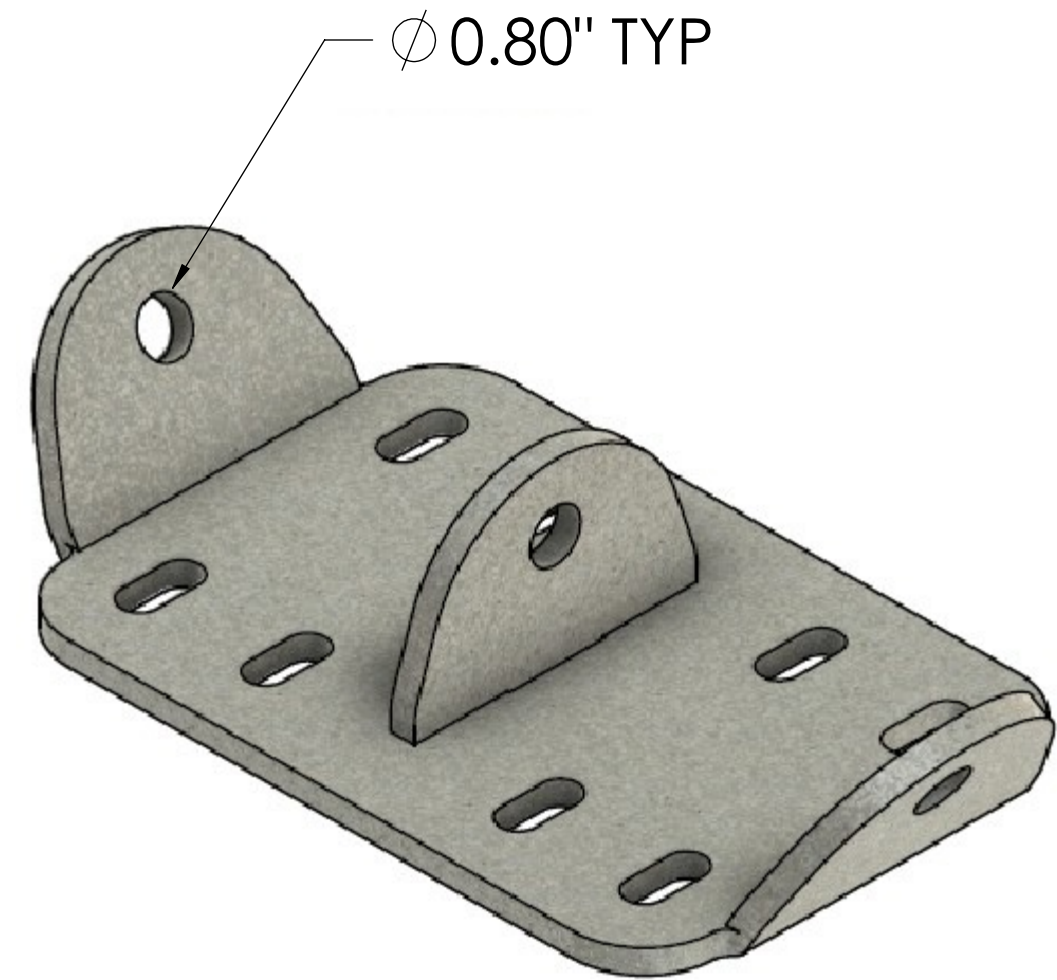


REVISIONS			
REV.	DESCRIPTION	BY	DATE
A	INITIAL RELEASE	MJP	11/17/23



Ø .56"



1 PLACE .X ± SEE NOTE 1		3 PLACE .XXX ±		SAP MATERIAL MASTER	
2 PLACE .XX ±		ANGLES ±		FINISH	
FINISH		MATERIAL			
UNLESS OTHERWISE SPECIFIED DIMENSIONS ARE IN INCHES INTERPRET PER ANSI Y 14.5M-1994	NAME	DATE	TITLE		
	CE		U-BLADE-PRP-3T4-60		
	RW		SCALE	DOCUMENT NO.	
	AD		1:42	U-BLADE-PRP-3T4-60	
	RE		ECN		
SIZE	Auth Group	MODEL		DRAWING	
C		VERSION	STATUS	REVISION	VERSION
HEIGHT	LENGTH	WIDTH			
					SHEET 1 OF 1

DENSITY	lbs/in ³
MASS	lbs
VOLUME	in ³
SURFACE AREA	in ²