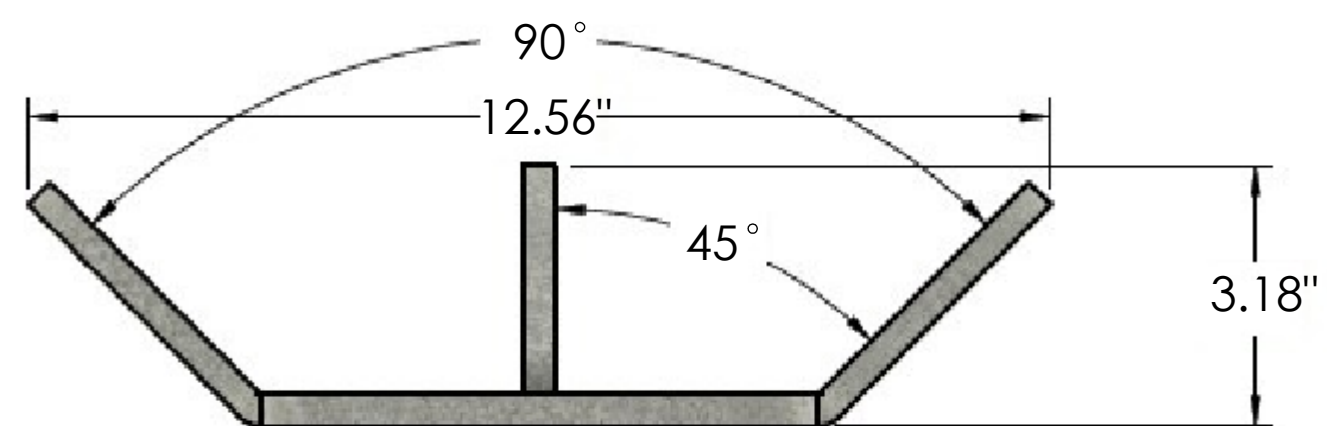
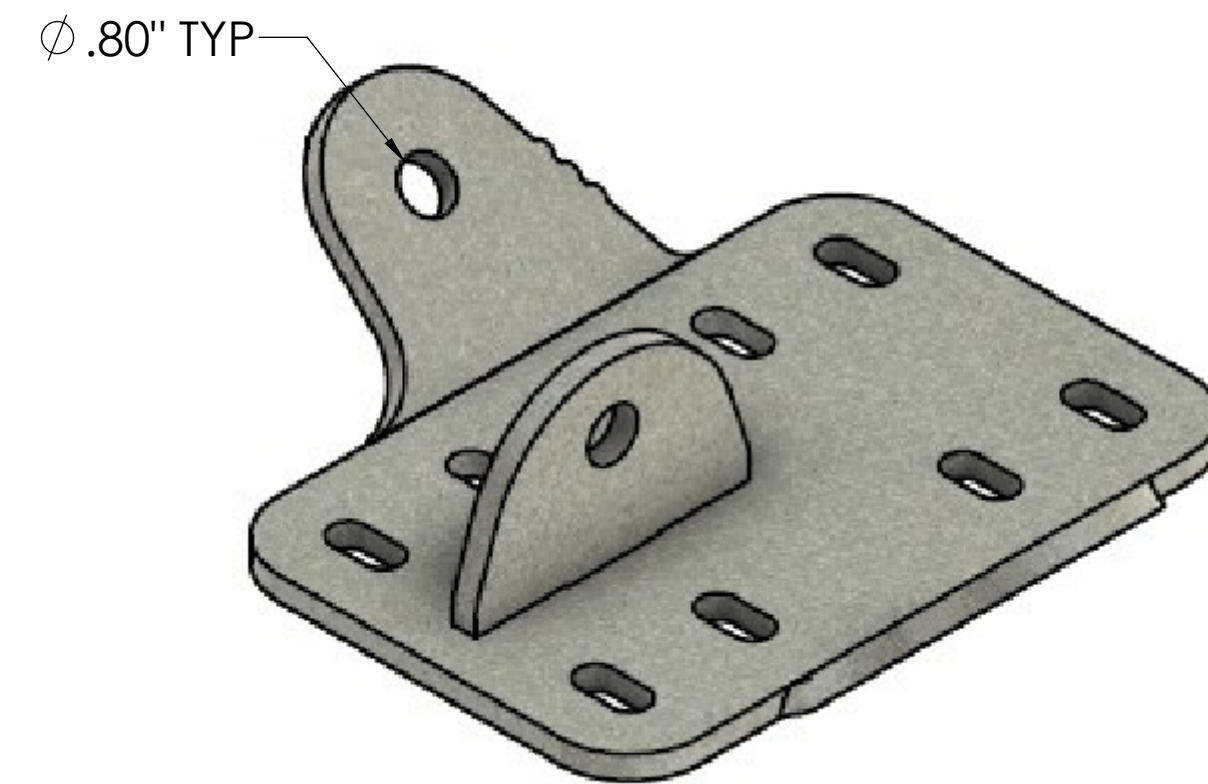
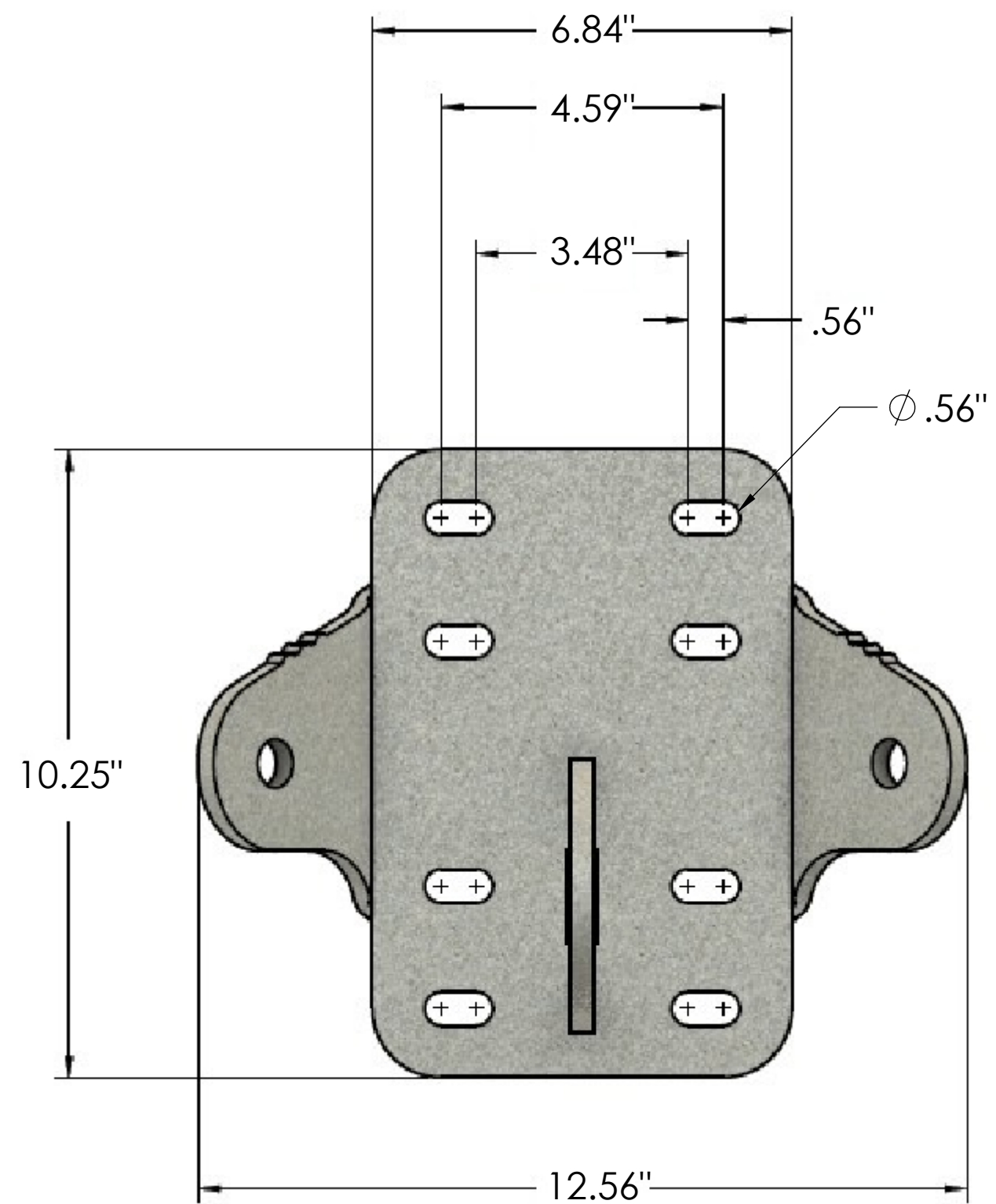


REVISIONS			
REV.	DESCRIPTION	BY	DATE
A	INITIAL RELEASE	MJP	04/10/26



FINISH		MATERIAL	
TOLERANCES		SAP MATERIAL MASTER	
1 PLACE .X ± SEE NOTE 1		3 PLACE .XXX ±	
2 PLACE .XX ±		ANGLES ±	
UNLESS OTHERWISE SPECIFIED DIMENSIONS ARE IN INCHES INTERPRET PER ANSI Y 14.5M-1994	NAME	DATE	TITLE
	CE		U-BLADE-PLL-3T4-90
	RW		
	AD		
	RE		
ECN			
SCALE	DOCUMENT NO.		
1:42	U-BLADE-PLL-3T4-90		
SIZE	Auth Group	MODEL	
C		VERSION	STATUS
		REVISION	VERSION
		REVISION	REVISION
		DRAWING	
		VERSION	STATUS
		REVISION	REVISION
		SHEET	
		1 OF 1	

DENSITY	lbs/in ³
MASS	lbs
VOLUME	in ³
SURFACE AREA	in ²
HEIGHT	
LENGTH	
WIDTH	