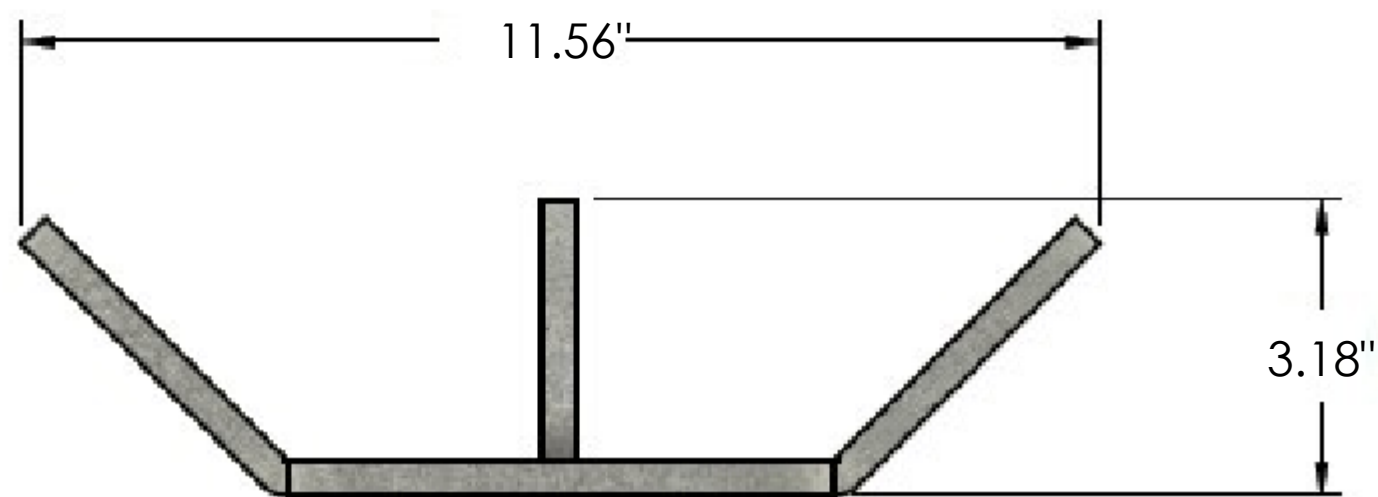
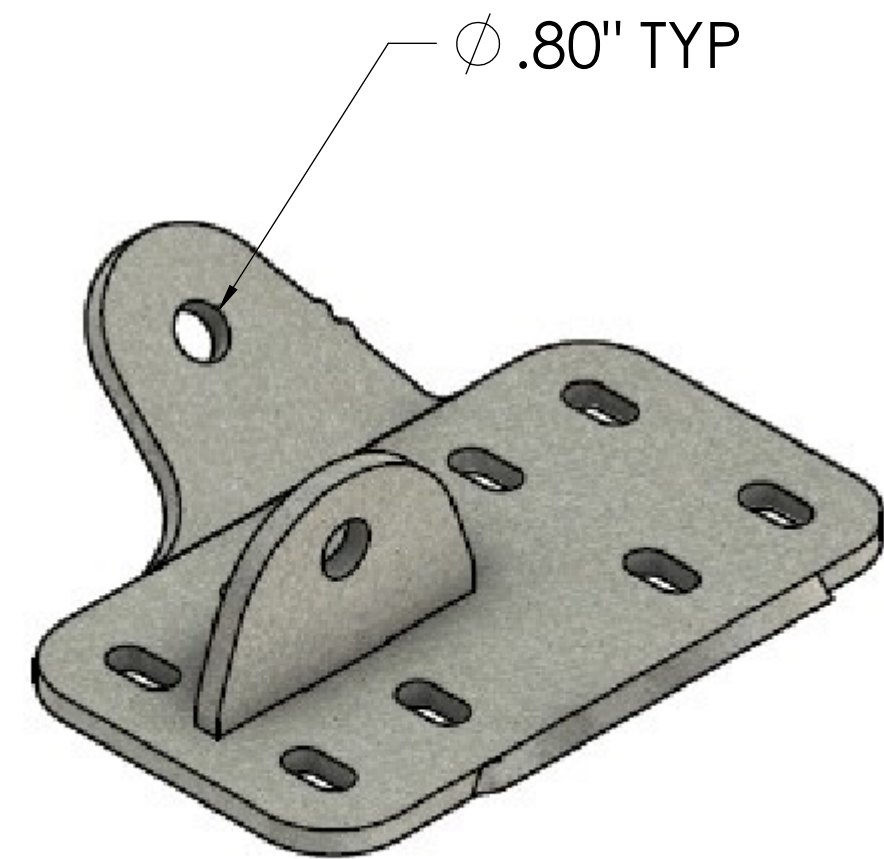
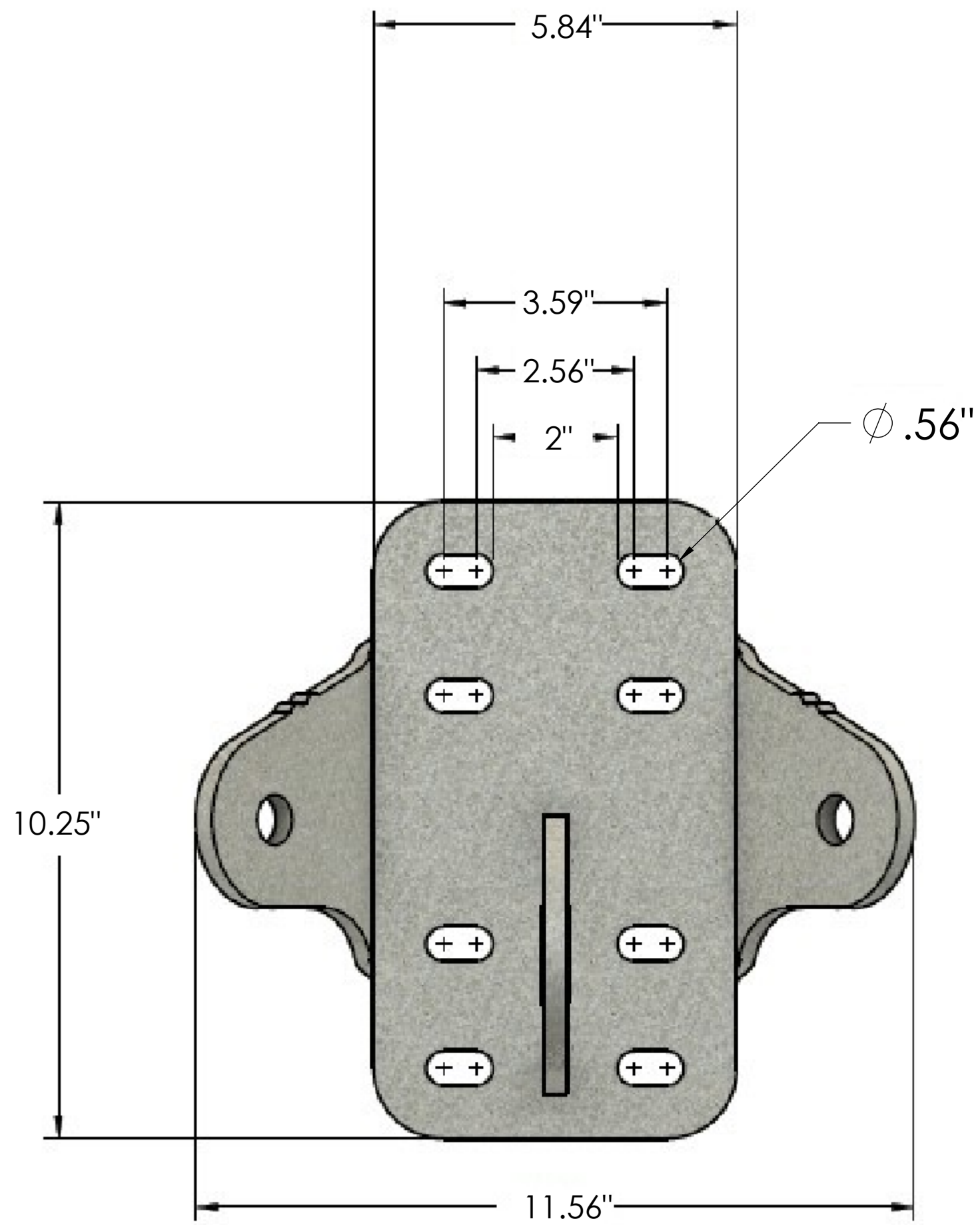


REVISIONS			
REV.	DESCRIPTION	BY	DATE
A	INITIAL RELEASE	MJP	11/17/23



TOLERANCES		SAP MATERIAL MASTER			
1 PLACE .X ± SEE NOTE 1 3 PLACE .XXX ±					
2 PLACE .XX ±		ANGLES ±			
FINISH		MATERIAL			
UNLESS OTHERWISE SPECIFIED DIMENSIONS ARE IN INCHES INTERPRET PER ANSI Y 14.5M-1994		TITLE			
CE	NAME	DATE	U-BLADE-PLL-2T3-90		
RW					
AD					
RE					
ECN					
SCALE		DOCUMENT NO.			
1:42		U-BLADE-PLL-2T3-90			
SIZE	Auth Group	MODEL			
C		DRAWING			
		VERSION	STATUS	REVISION	VERSION
HEIGHT		SHEET			
LENGTH		1 OF 1			
WIDTH					

DENSITY	lbs/in ³
MASS	lbs
VOLUME	in ³
SURFACE AREA	in ²

4

3

2

1

D

C

B

A

4

3

2

1