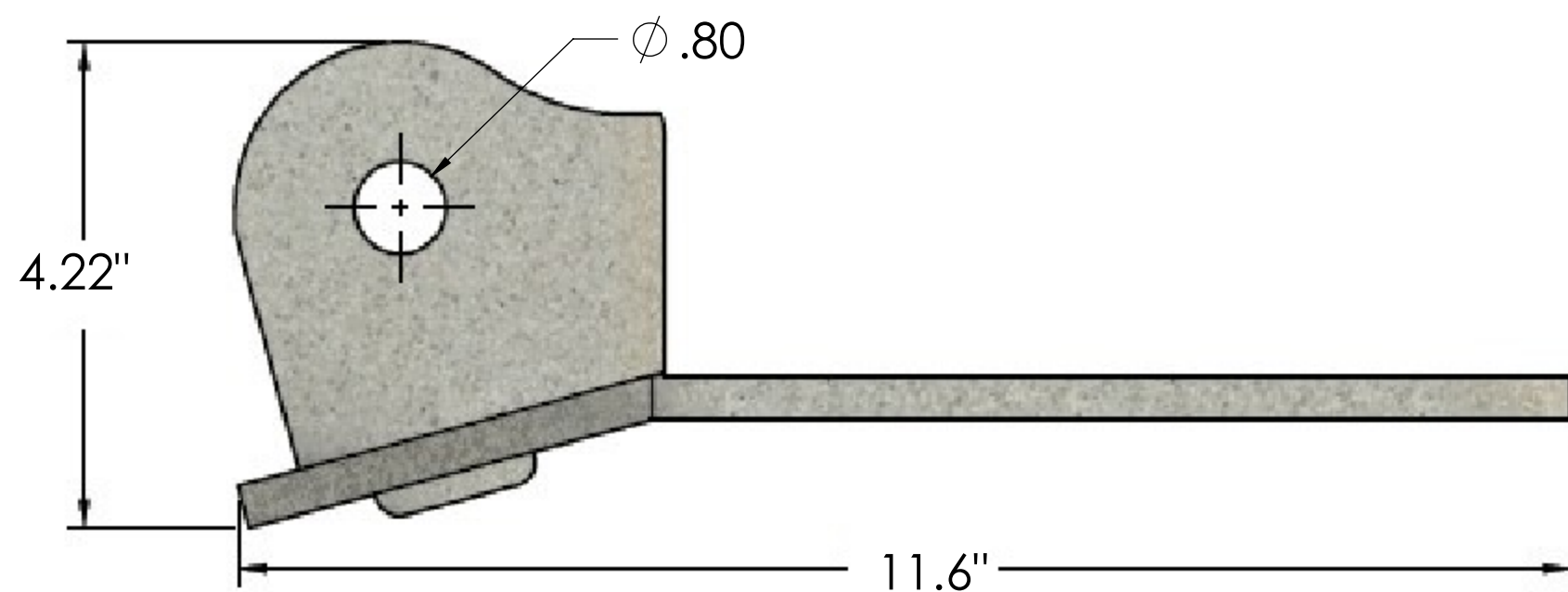
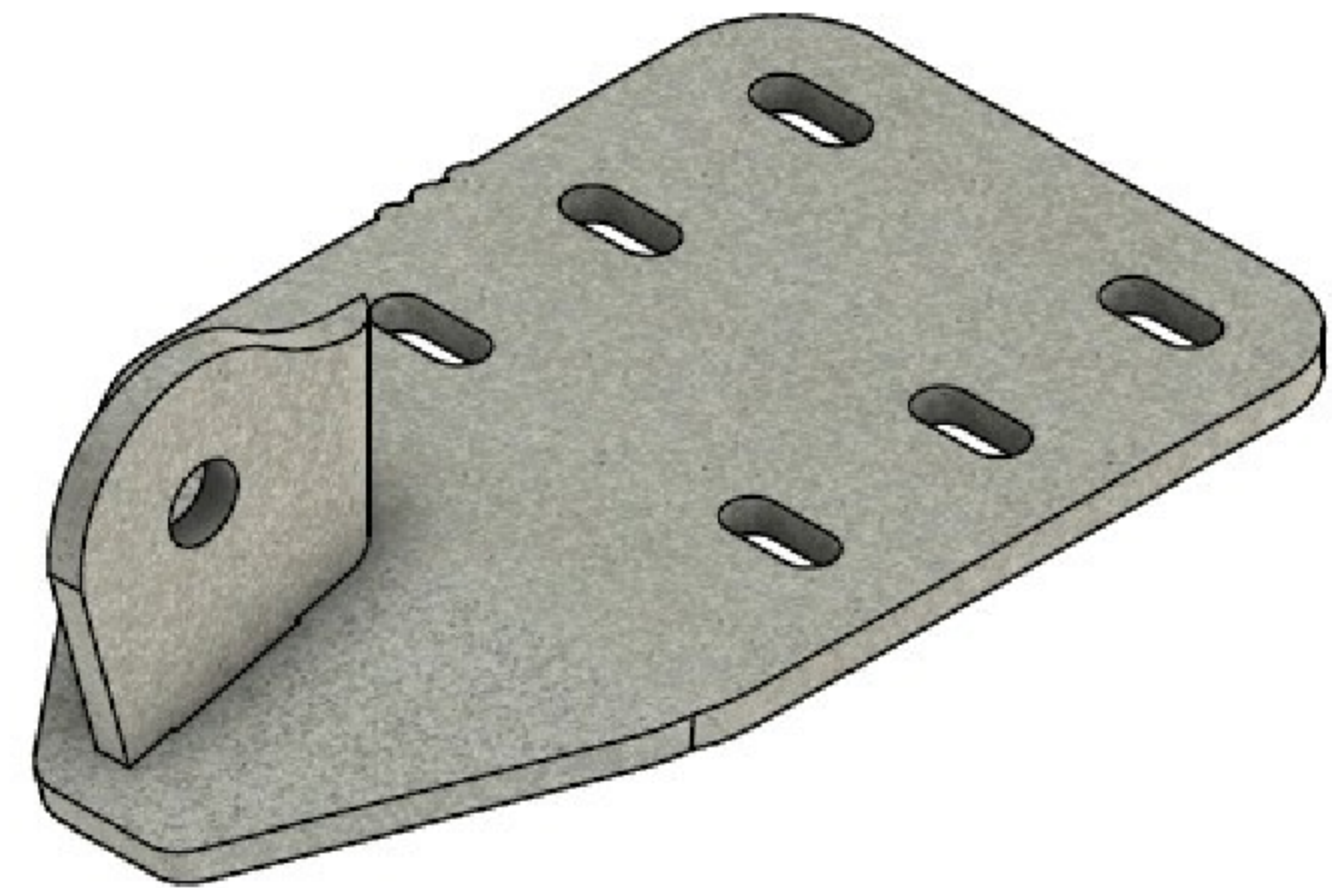
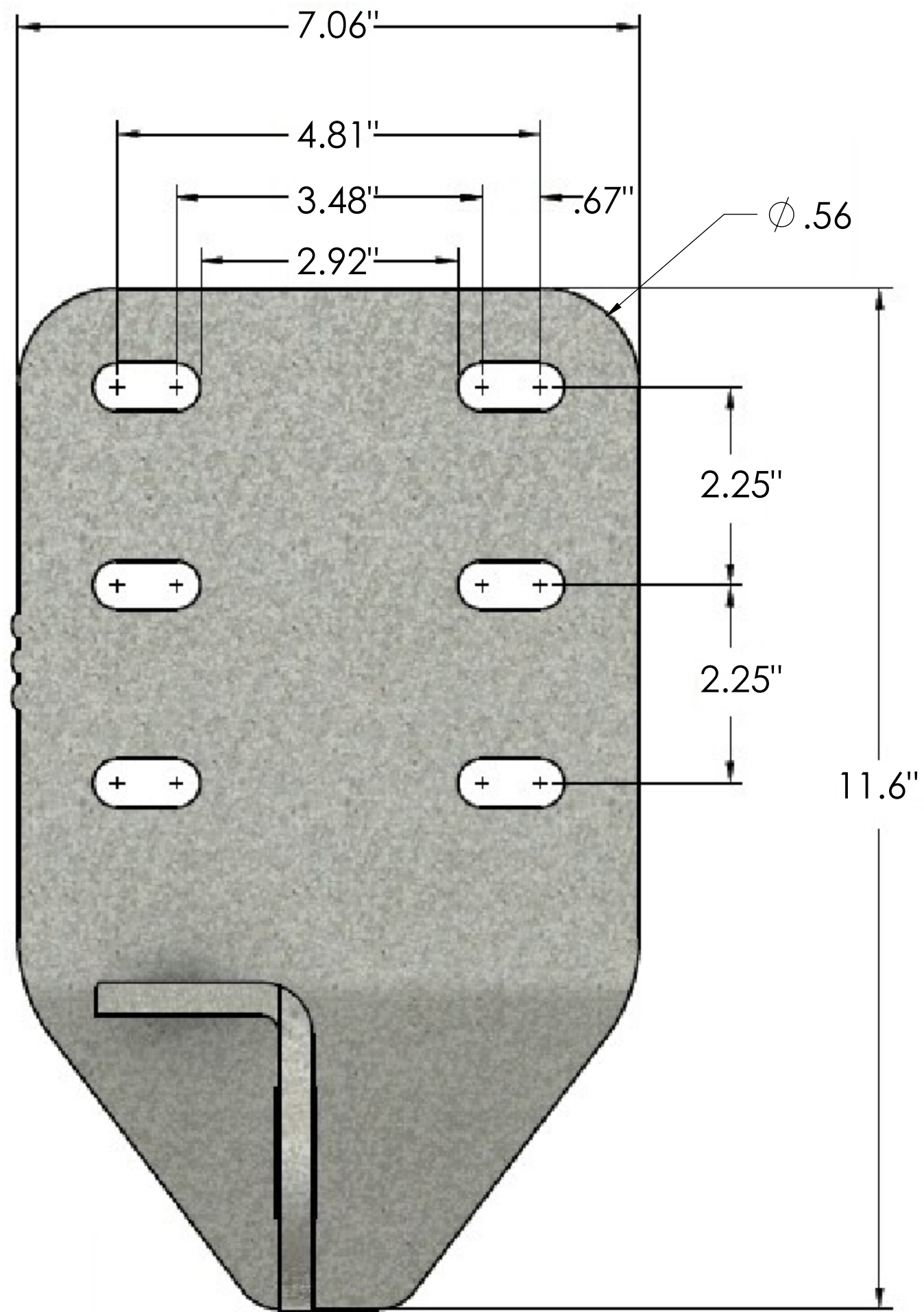


REVISIONS			
REV.	DESCRIPTION	BY	DATE
A	INITIAL RELEASE	MJP	11/17/23



TOLERANCES 1 PLACE .X ± SEE NOTE 1 3 PLACE .XXX ± 2 PLACE .XX ± ANGLES ±		SAP MATERIAL MASTER	
FINISH		MATERIAL	
UNLESS OTHERWISE SPECIFIED DIMENSIONS ARE IN INCHES INTERPRET PER ANSI Y 14.5M-1994		NAME DATE TITLE CE RW AD RE ECN	
DENSITY lbs/in ³ MASS lbs VOLUME in ³ SURFACE AREA in ²		SCALE 1:42 DOCUMENT NO. U-BLADE-MF-3T4	
HEIGHT LENGTH WIDTH		U-BLADE-MF-3T4 U-BLADE-MF-3T4 AUTH GROUP MODEL DRAWING SHEET C VERSION STATUS REVISION VERSION STATUS REVISION 1 OF 1	

4

3

2

1

D

D

C

C

B

B

A

A

4

3

2

1