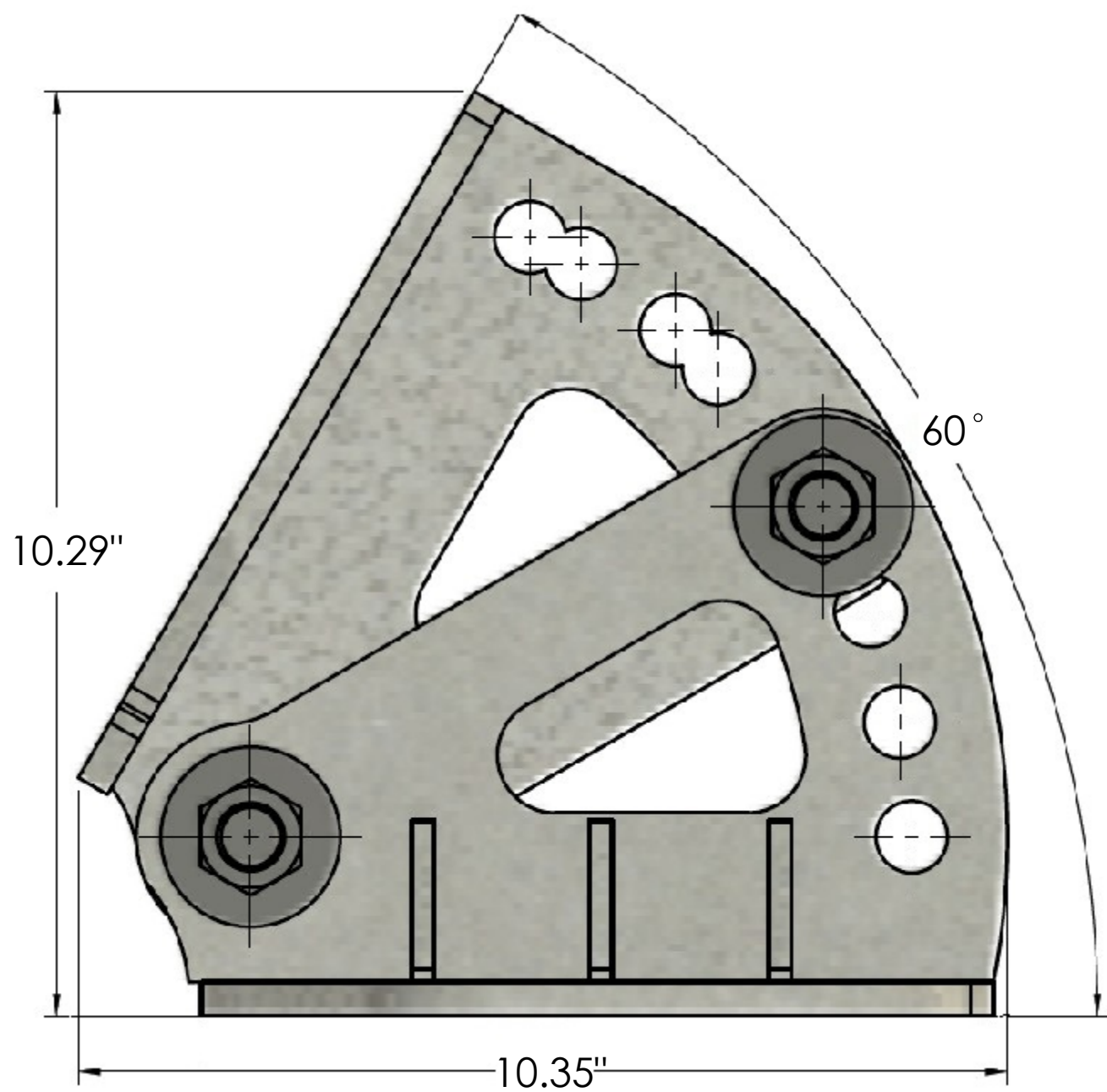
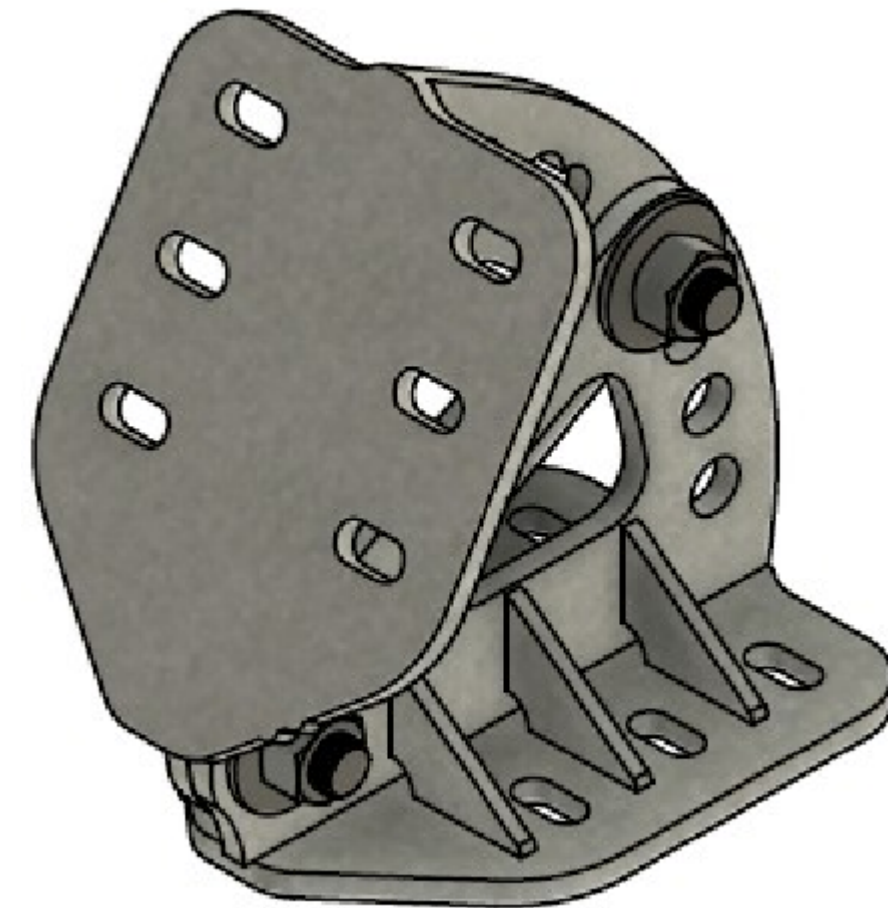
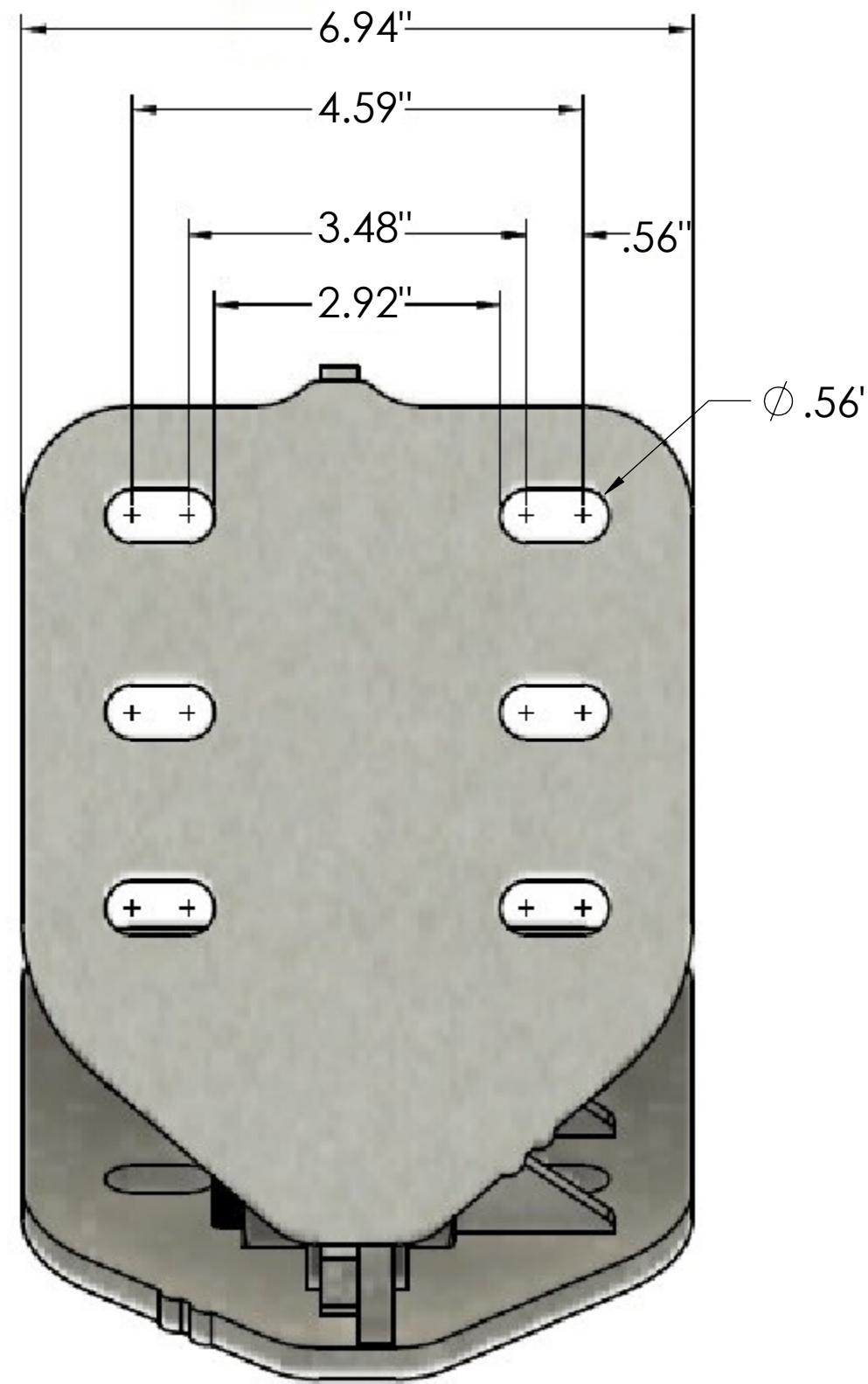
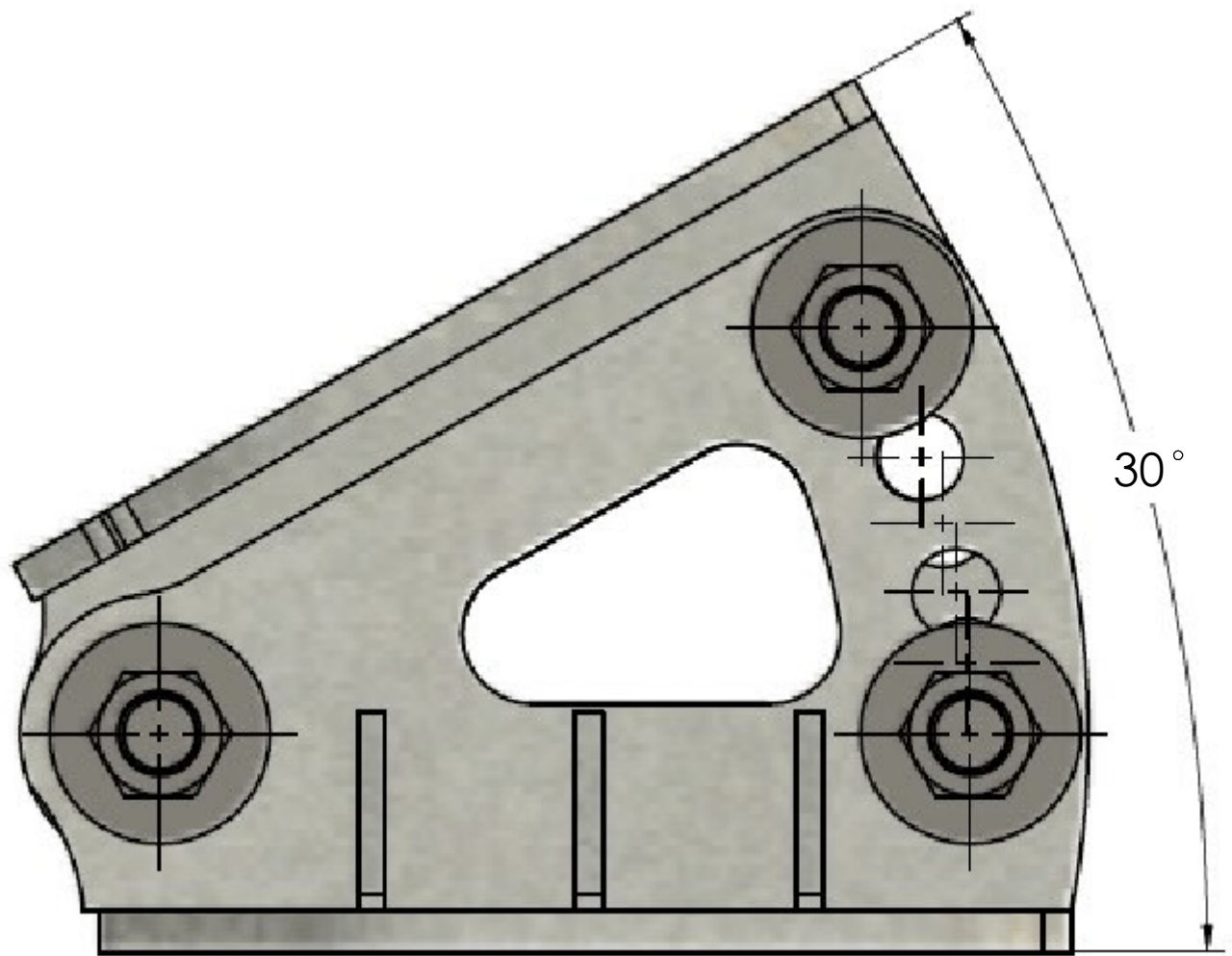


REVISIONS			
REV.	DESCRIPTION	BY	DATE
A	INITIAL RELEASE	MJP	04/14/26



TOLERANCES		SAP MATERIAL MASTER															
1 PLACE .X ±	SEE NOTE 1	3 PLACE .XXX ±															
2 PLACE .XX ±		ANGLES ±															
FINISH		MATERIAL															
UNLESS OTHERWISE SPECIFIED DIMENSIONS ARE IN INCHES INTERPRET PER ANSI Y 14.5M-1994		<table border="1"> <thead> <tr> <th>NAME</th> <th>DATE</th> <th>TITLE</th> </tr> </thead> <tbody> <tr> <td>CE</td> <td></td> <td rowspan="5">U-ANG-ADP-3R6-3T4</td> </tr> <tr> <td>RW</td> <td></td> </tr> <tr> <td>AD</td> <td></td> </tr> <tr> <td>RE</td> <td></td> </tr> <tr> <td>ECN</td> <td></td> </tr> </tbody> </table>		NAME	DATE	TITLE	CE		U-ANG-ADP-3R6-3T4	RW		AD		RE		ECN	
NAME	DATE	TITLE															
CE		U-ANG-ADP-3R6-3T4															
RW																	
AD																	
RE																	
ECN																	
SCALE		DOCUMENT NO.															
1:42		U-ANG-ADP-3R6-3T4															
SIZE	Auth Group	MODEL															
C		VERSION	STATUS														
		DRAWING															
		VERSION	STATUS														
		REVISION	REVISION														
		SHEET															
		1 OF 1															

DENSITY	lbs/in ³
MASS	lbs
VOLUME	in ³
SURFACE AREA	in ²
HEIGHT	
LENGTH	
WIDTH	