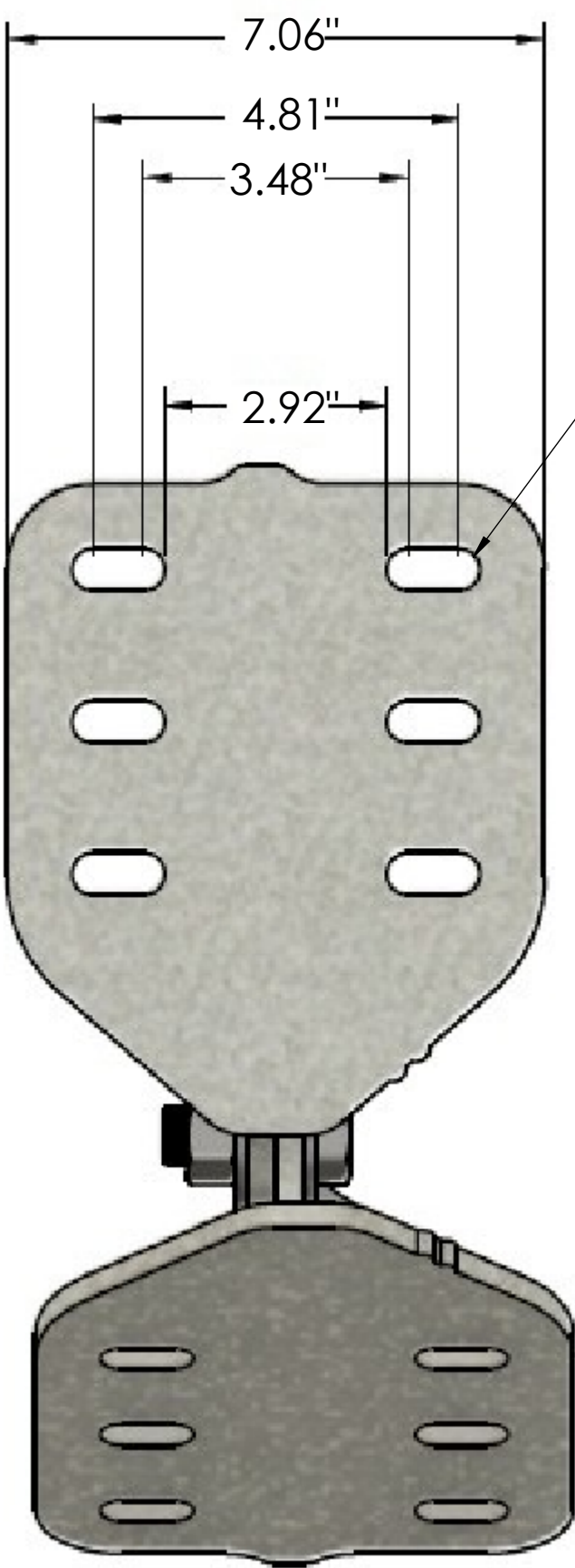
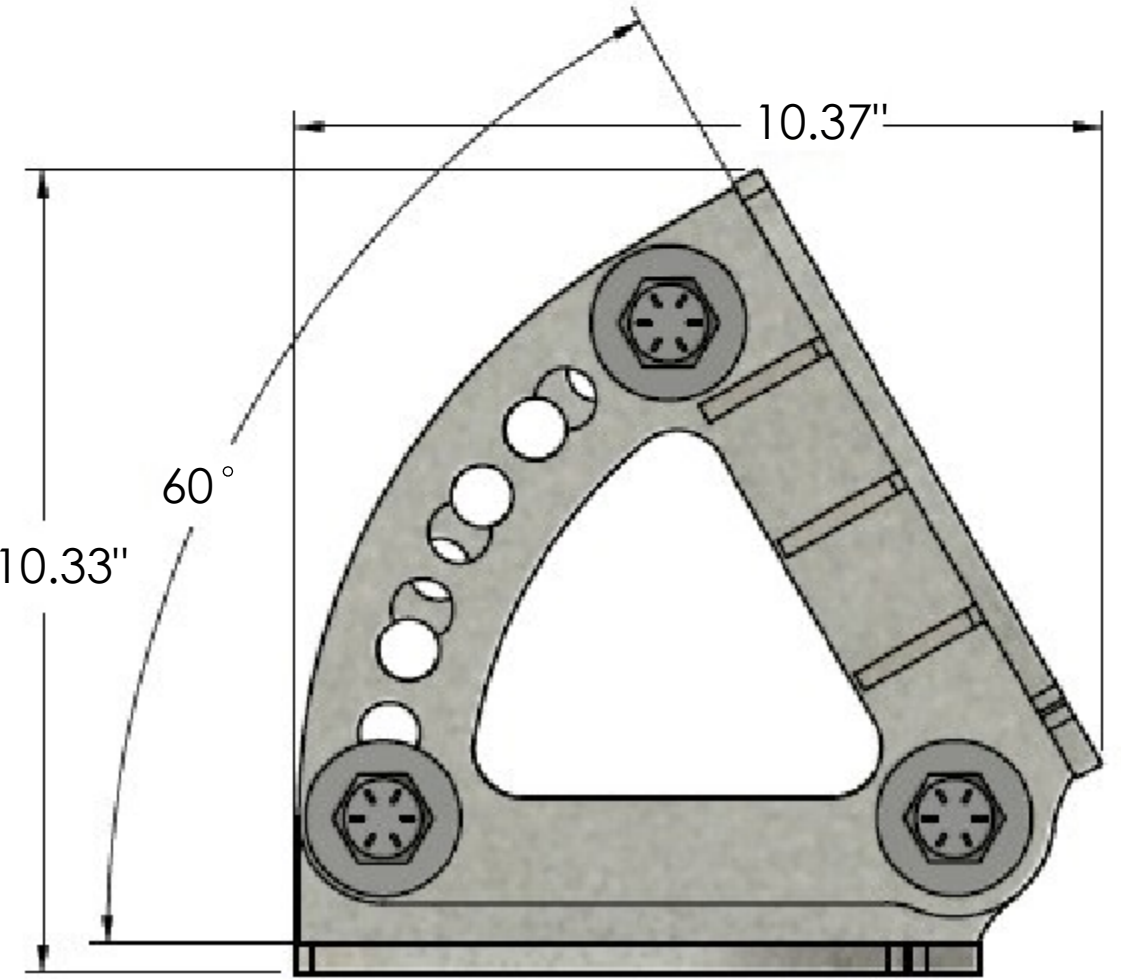
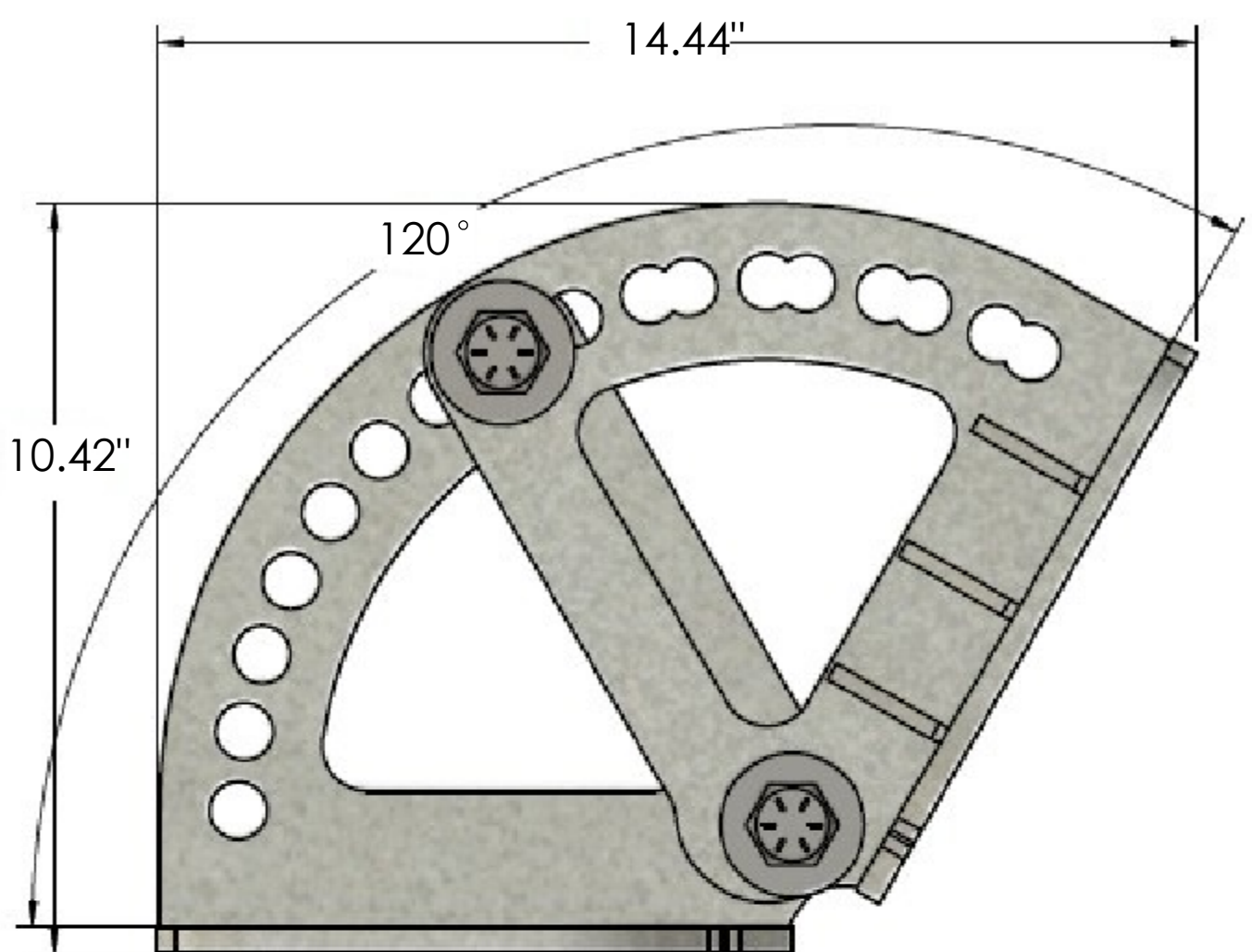
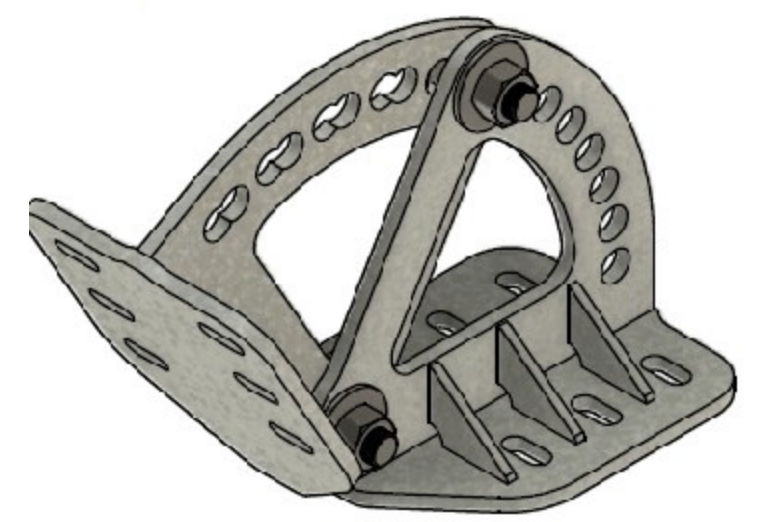


REVISIONS			
REV.	DESCRIPTION	BY	DATE
A	INITIAL RELEASE	MJP	11/17/23



Ø .28"



Angle		Bolts
60	Deg	3B
64	Deg	3B
68.5	Deg	3B
73	Deg	3B
77	Deg	3B
81.5	Deg	3B
86	Deg	3B
90	Deg	3B
94.5	Deg	3B
99	Deg	3B
103	Deg	3B
107	Deg	2B
111.5	Deg	2B
120	Deg	2B



TOLERANCES		SAP MATERIAL MASTER	
1 PLACE .X ± SEE NOTE 1 3 PLACE .XXX ±			
2 PLACE .XX ±		ANGLES ±	
FINISH		MATERIAL	
UNLESS OTHERWISE SPECIFIED DIMENSIONS ARE IN INCHES INTERPRET PER ANSI Y 14.5M-1994	NAME	DATE	TITLE
	CE		U-ANG-ADP-6R12-3T4
	RW		
	AD		
	RE		
ECN			
SCALE	DOCUMENT NO.		
1:42	U-ANG-ADP-6R12-3T4		
SIZE	Auth Group	MODEL	DRAWING
C		VERSION	STATUS
		REVISION	REVISION
		VERSION	STATUS
		REVISION	REVISION
		SHEET 1 OF 1	

DENSITY	lbs/in <sup>3</sup>
MASS	lbs
VOLUME	in <sup>3</sup>
SURFACE AREA	in <sup>2</sup>
HEIGHT	
LENGTH	
WIDTH	