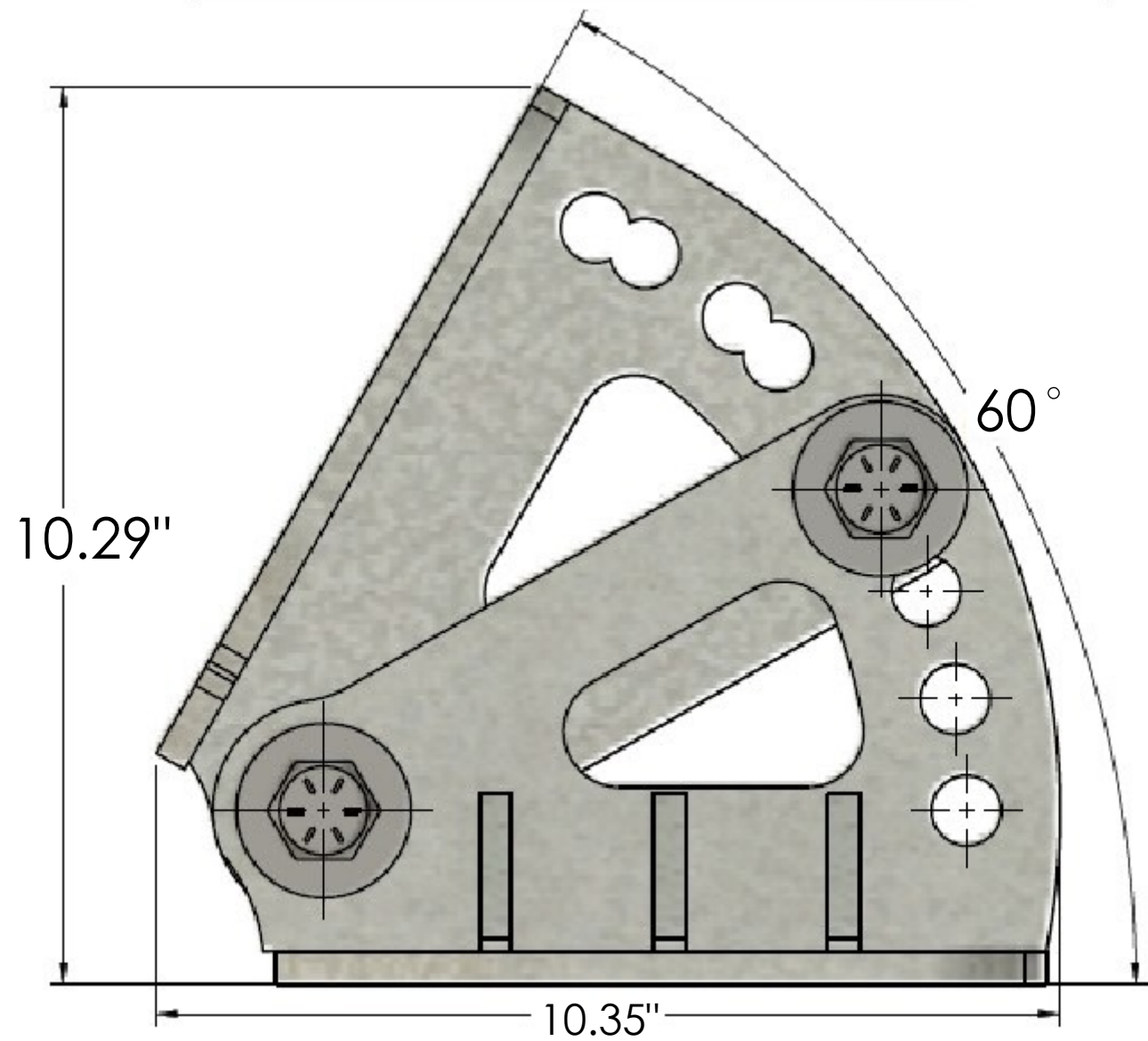
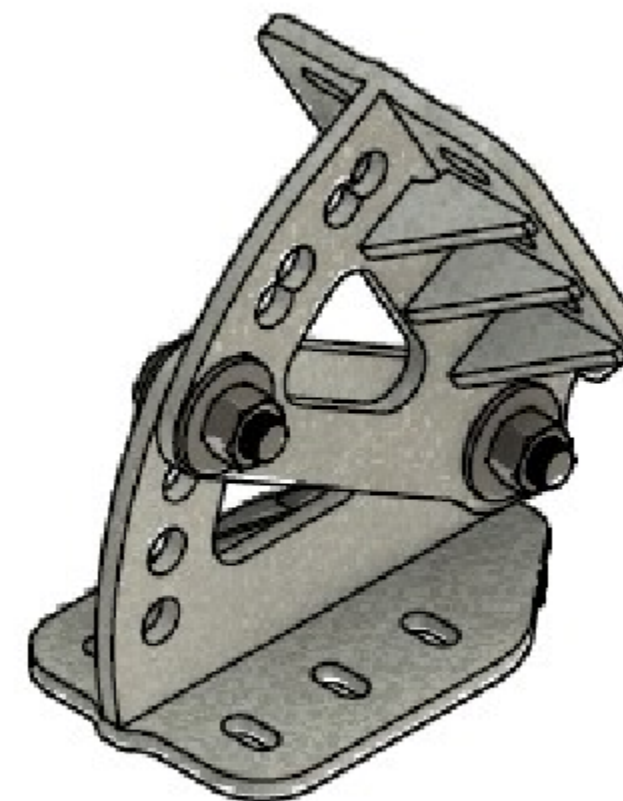
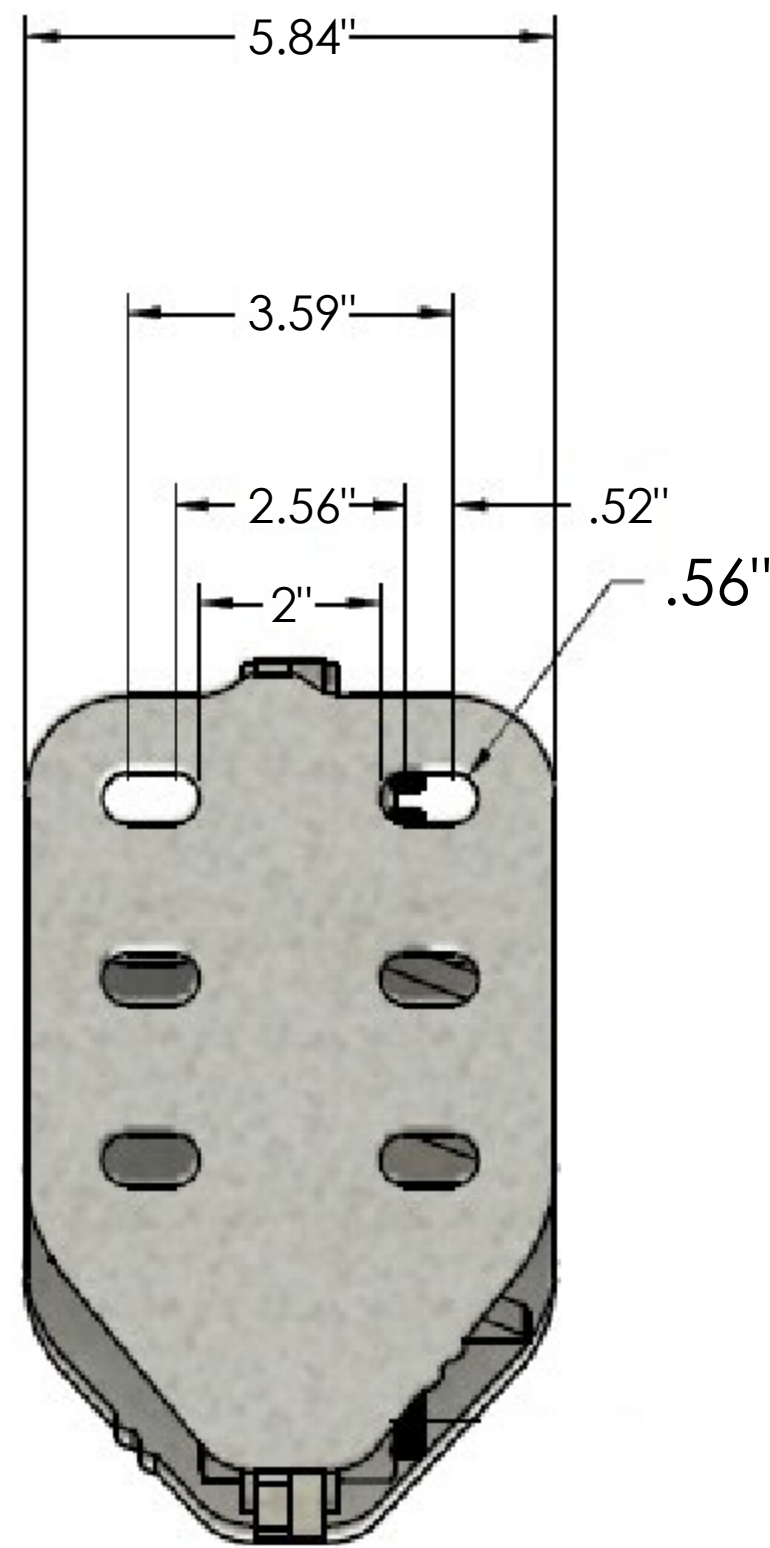
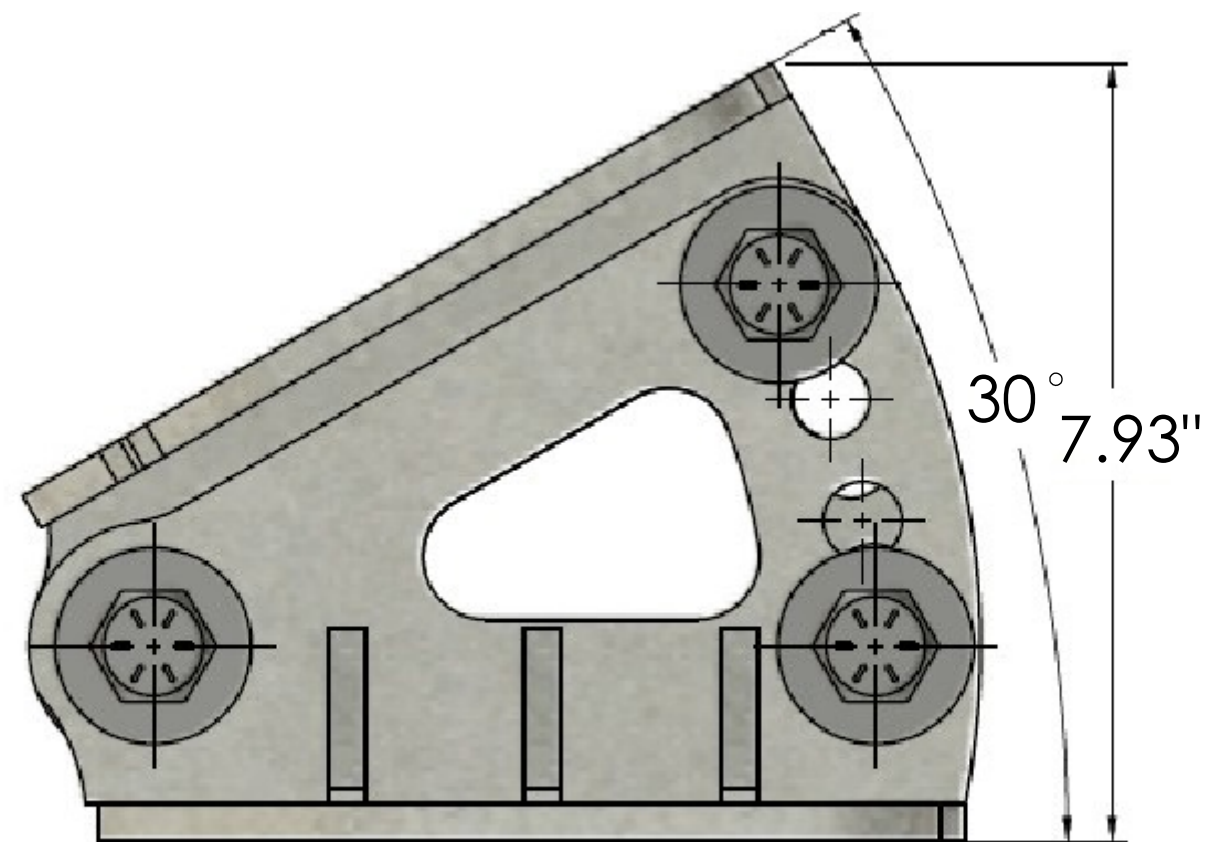


REVISIONS			
REV.	DESCRIPTION	BY	DATE
A	INITIAL RELEASE	MJP	11/17/23



TOLERANCES		SAP MATERIAL MASTER	
1 PLACE .X ± SEE NOTE 1 3 PLACE .XXX ±			
2 PLACE .XX ±		ANGLES ±	
FINISH		MATERIAL	
UNLESS OTHERWISE SPECIFIED DIMENSIONS ARE IN INCHES INTERPRET PER ANSI Y 14.5M-1994		U-ANG-ADP-3R6-2T3	
NAME	DATE	TITLE	
CE		U-ANG-ADP-3R6-2T3	
RW			
AD			
RE			
ECN			
SCALE	DOCUMENT NO.	U-ANG-ADP-3R6-2T3	
1:42			
SIZE	Auth Group	MODEL	
C		DRAWING	
		VERSION	STATUS
		REVISION	VERSION
		REVISION	STATUS
		REVISION	REVISION
			SHEET
			1 OF 1

DENSITY	lbs/in <sup>3</sup>
MASS	lbs
VOLUME	in <sup>3</sup>
SURFACE AREA	in <sup>2</sup>
HEIGHT	
LENGTH	
WIDTH	