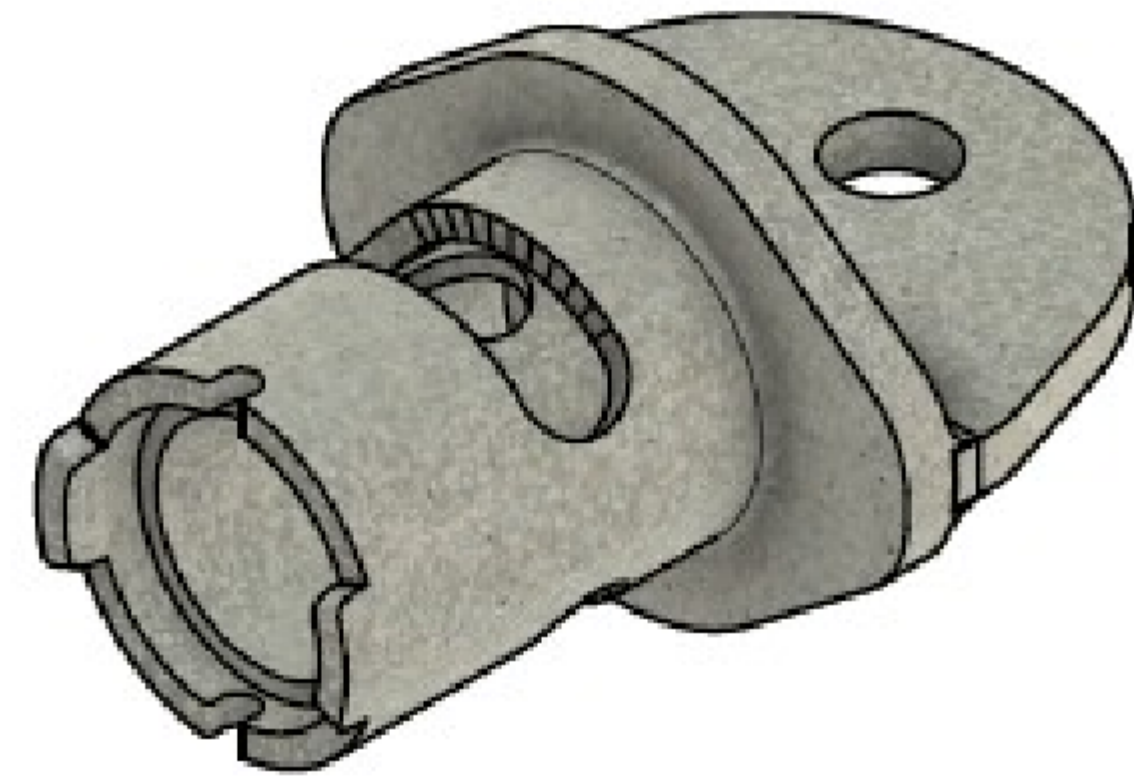
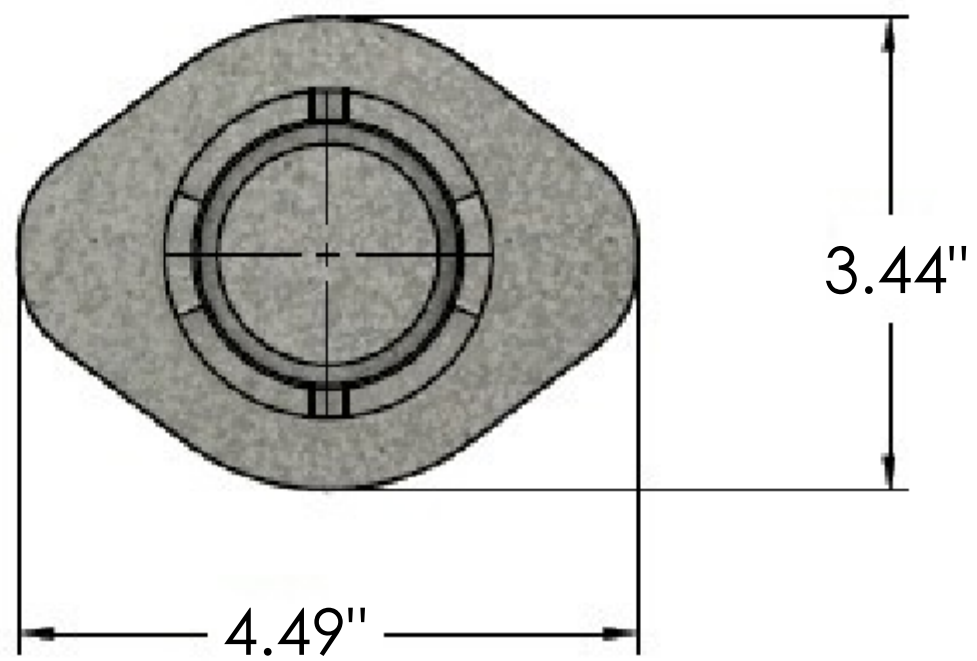
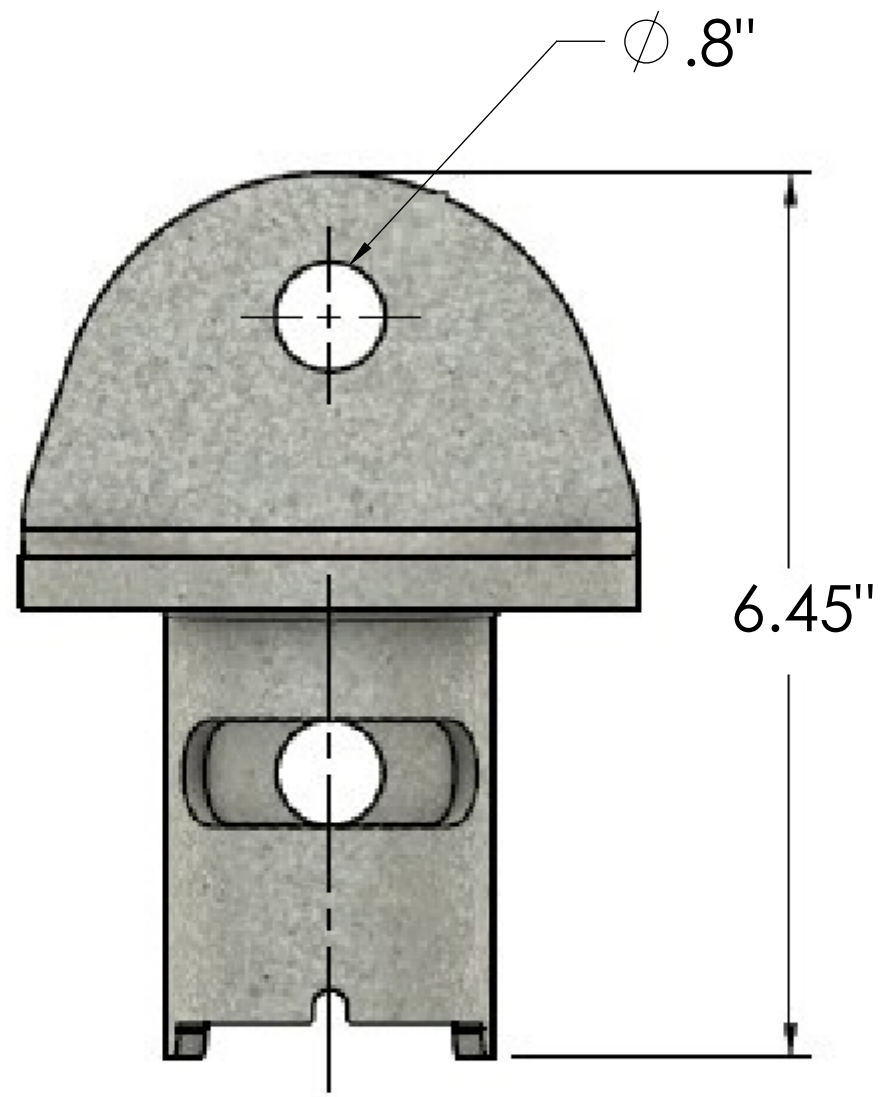
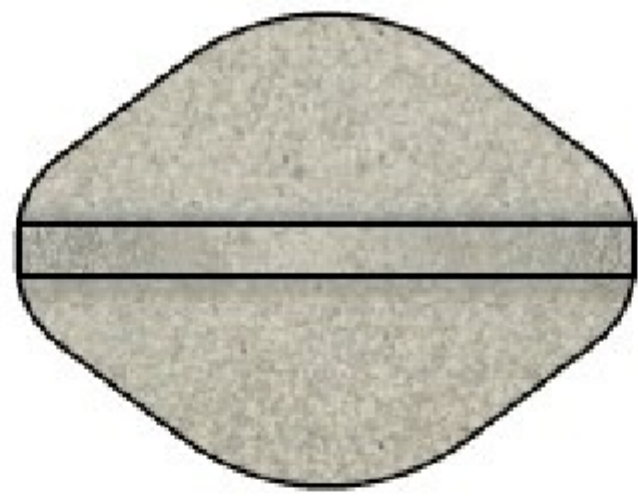


REVISIONS			
REV.	DESCRIPTION	BY	DATE
A	INITIAL RELEASE	MJP	11/17/23



TOLERANCES		SAP MATERIAL MASTER	
1 PLACE .X ± SEE NOTE 1 3 PLACE .XXX ±			
2 PLACE .XX ±		ANGLES ±	
FINISH		MATERIAL	
UNLESS OTHERWISE SPECIFIED DIMENSIONS ARE IN INCHES INTERPRET PER ANSI Y 14.5M-1994		NAME DATE TITLE	
CE		KICKBLADE-90R-V1	
RW			
AD			
RE			
ECN			
SCALE		DOCUMENT NO.	
1:42		KICKBLADE-90R-V1	
SIZE		MODEL	
Auth Group		DRAWING	
C		VERSION STATUS REVISION	
		VERSION STATUS REVISION	
		SHEET 1 OF 1	

DENSITY	lbs/in ³
MASS	lbs
VOLUME	in ³
SURFACE AREA	in ²
HEIGHT	
LENGTH	
WIDTH	