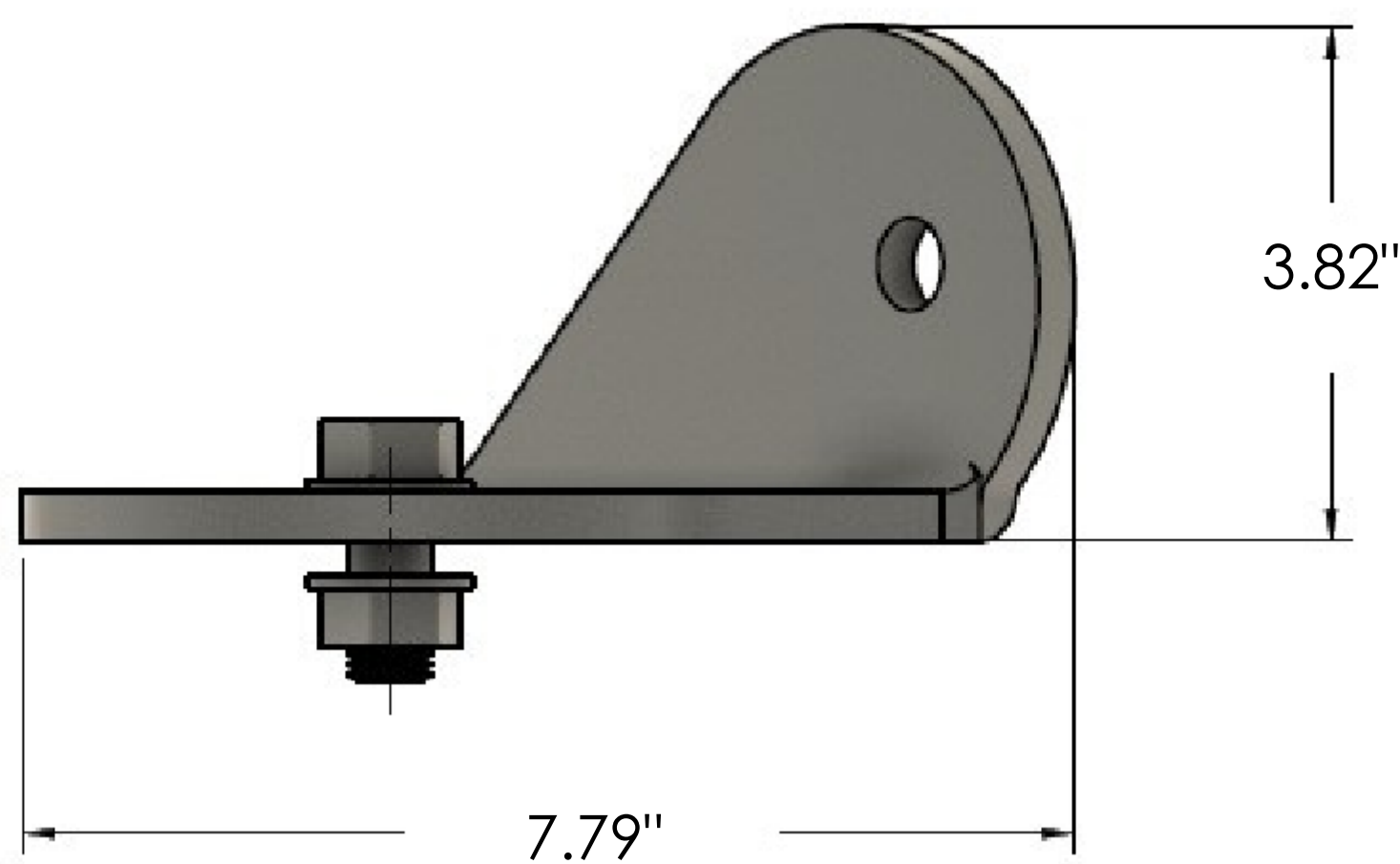
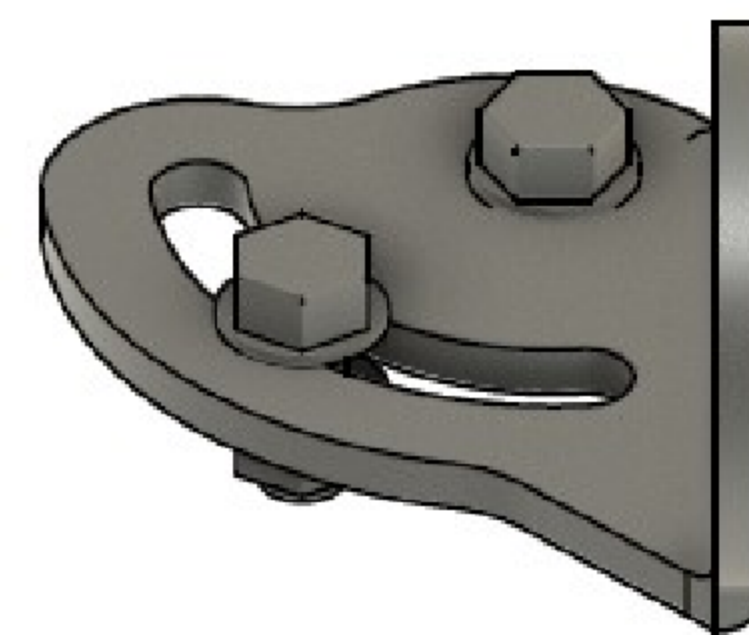
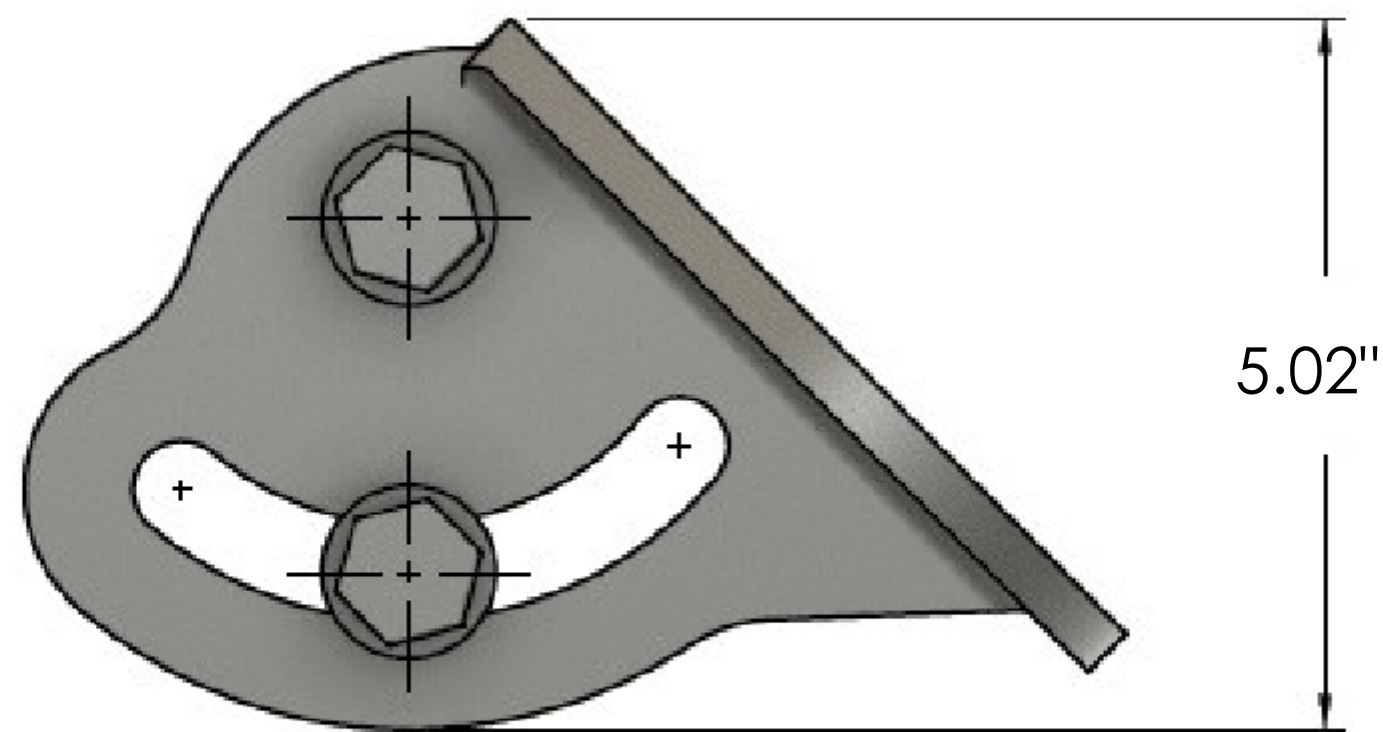


REVISIONS			
REV.	DESCRIPTION	BY	DATE
A	INITIAL RELEASE	MJP	11/17/23



TOLERANCES		SAP MATERIAL MASTER			
1 PLACE .X ± SEE NOTE 1 3 PLACE .XXX ±					
2 PLACE .XX ±		ANGLES ±			
FINISH		MATERIAL			
UNLESS OTHERWISE SPECIFIED DIMENSIONS ARE IN INCHES INTERPRET PER ANSI Y 14.5M-1994		TITLE			
CE	NAME	DATE	AGL-IRON-BLADE-PVT		
RW					
AD					
RE					
ECN					
SCALE		DOCUMENT NO.			
1:42		AGL-IRON-BLADE-PVT			
SIZE	Auth Group	MODEL			
C		DRAWING			
		VERSION	STATUS	REVISION	VERSION
		SHEET			
		1 OF 1			

DENSITY	lbs/in <sup>3</sup>
MASS	lbs
VOLUME	in <sup>3</sup>
SURFACE AREA	in <sup>2</sup>
HEIGHT	
LENGTH	
WIDTH	