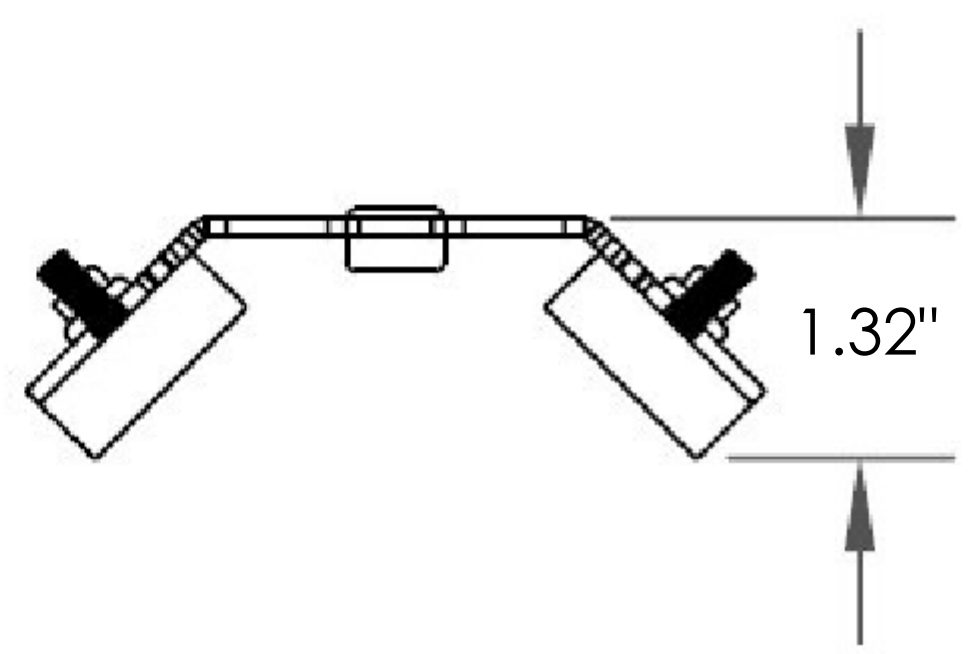
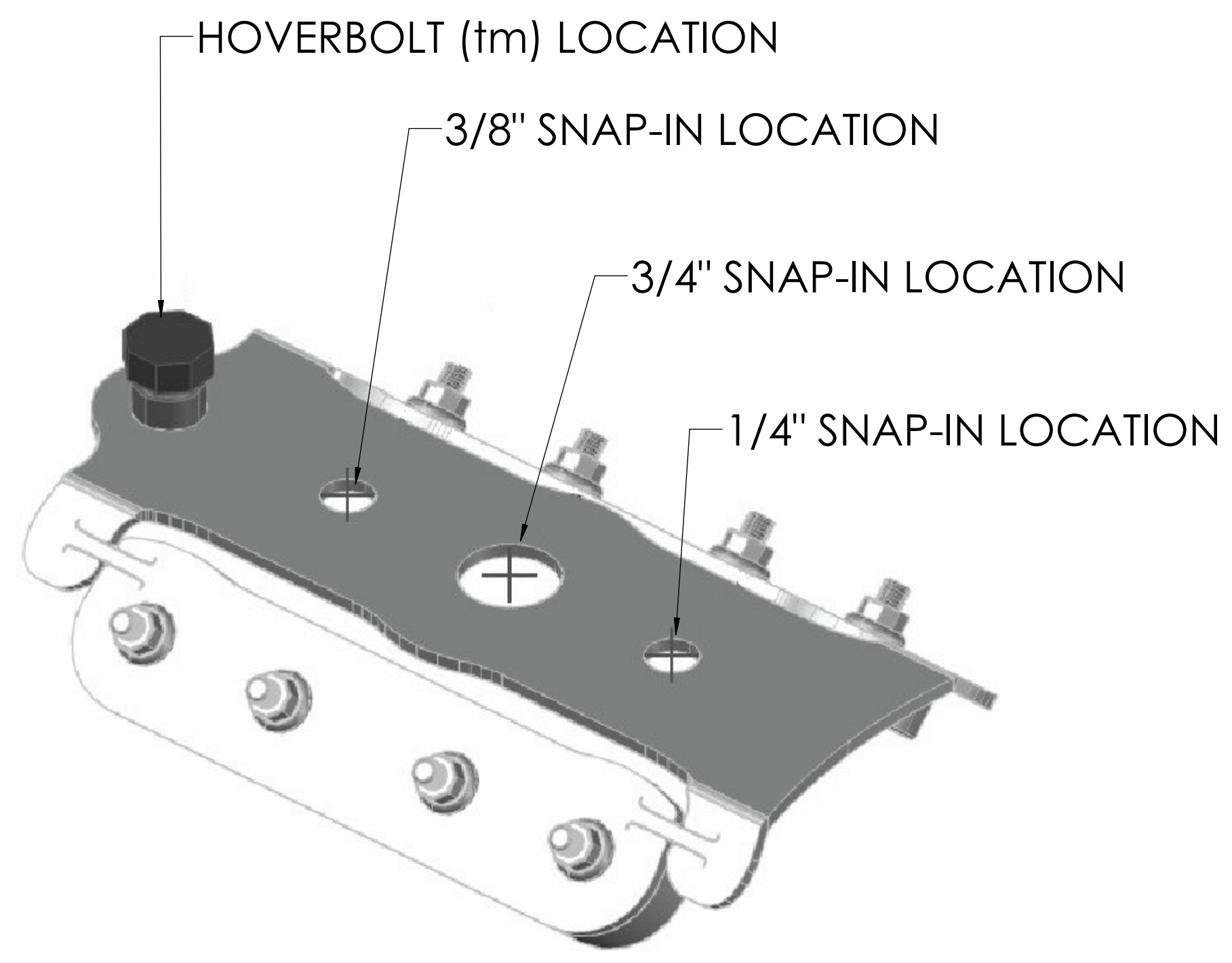
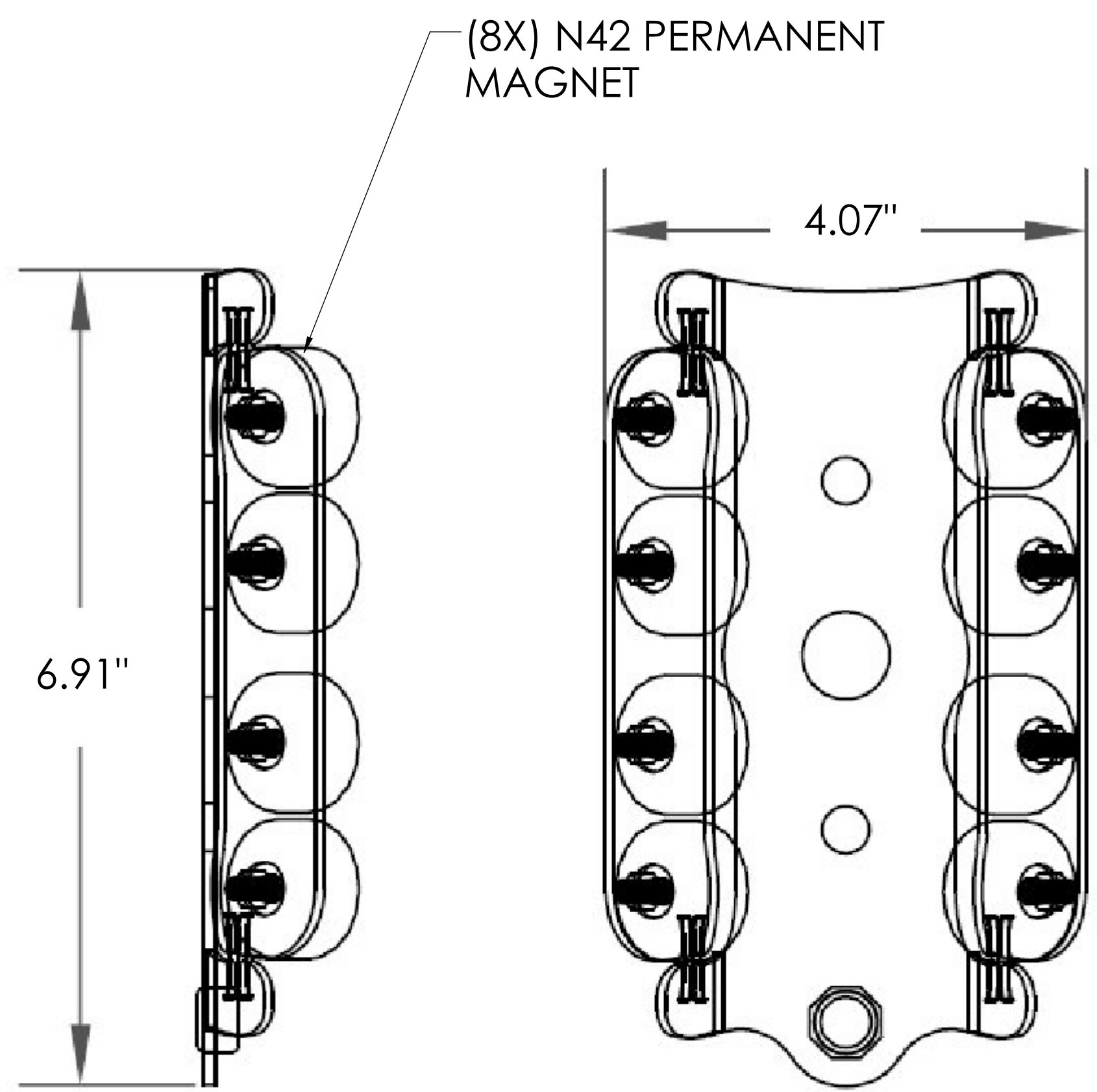


REVISIONS			
REV.	DESCRIPTION	BY	DATE
A	INITIAL RELEASE	MJP	11/17/23



TOLERANCES		SAP MATERIAL MASTER	
1 PLACE .X ±	SEE NOTE 1	3 PLACE .XXX ±	
2 PLACE .XX ±		ANGLES ±	

FINISH	MATERIAL
--------	----------

UNLESS OTHERWISE SPECIFIED DIMENSIONS ARE IN INCHES INTERPRET PER ANSI Y 14.5M-1994	NAME	DATE	TITLE
	CE		Talon1-SLIM
	RW		
	AD		SCALE
	RE		DOCUMENT NO.
ECN		1:42	T1F-08-S

DENSITY	lbs/in ³
MASS	lbs
VOLUME	in ³
SURFACE AREA	in ²
HEIGHT	
LENGTH	
WIDTH	

SIZE	Auth Group	MODEL	DRAWING			SHEET			
C	⊕	▽	VERSION	STATUS	REVISION	VERSION	STATUS	REVISION	1 OF 1