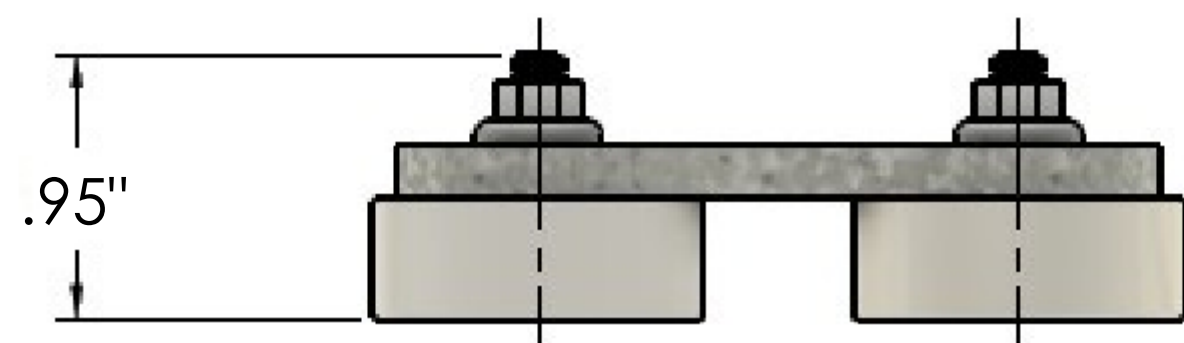
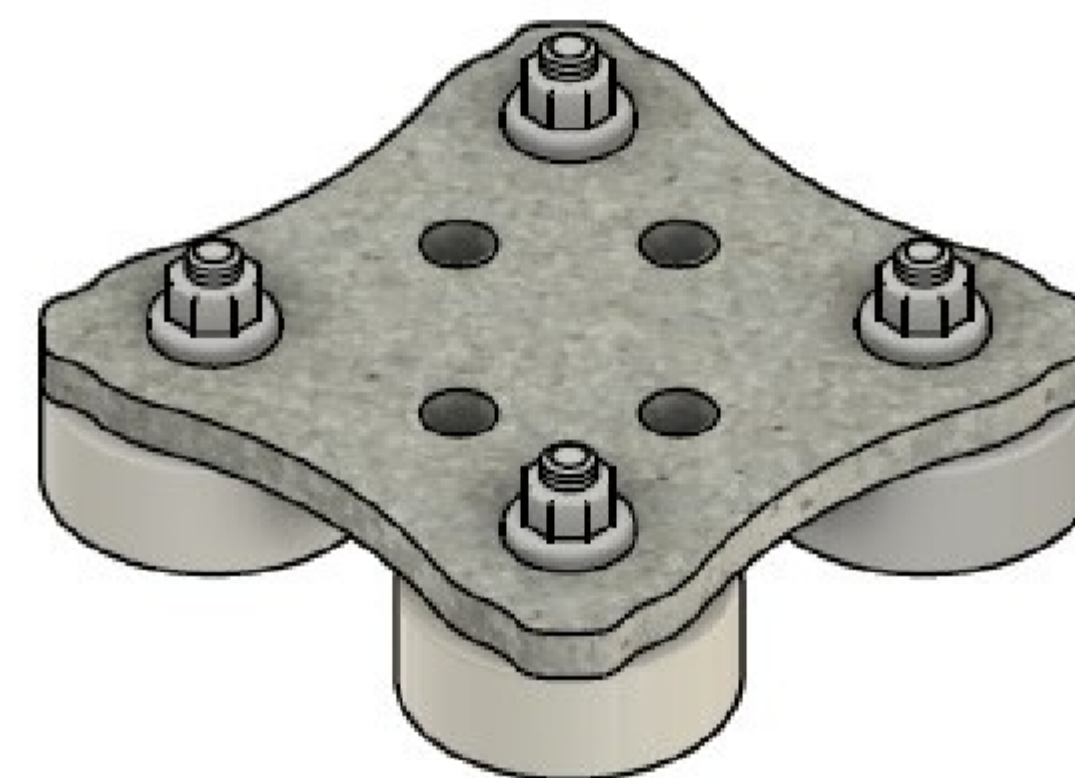
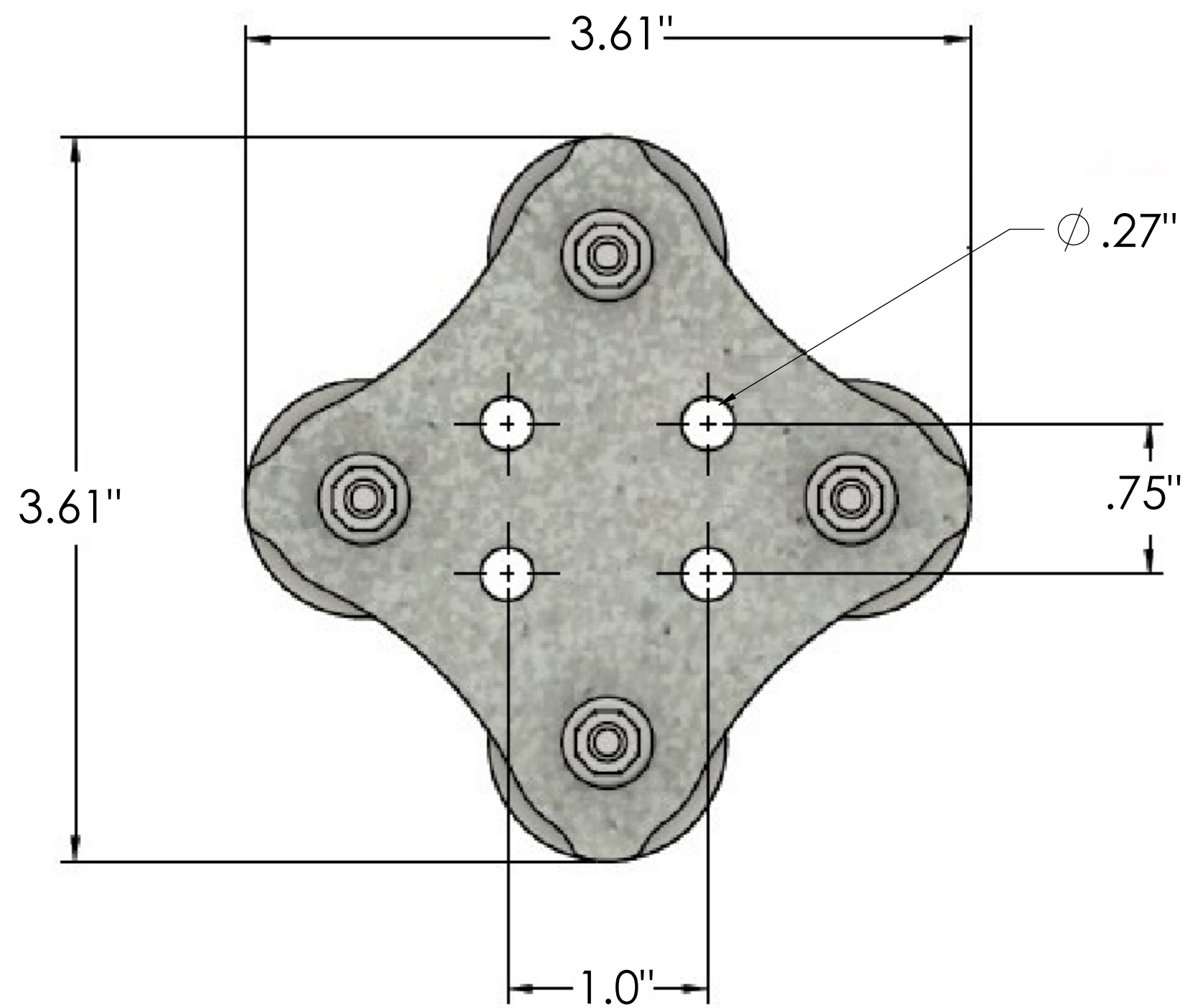


REVISIONS			
REV.	DESCRIPTION	BY	DATE
A	INITIAL RELEASE	MJP	11/17/23



FINISH		MATERIAL	
TOLERANCES		SAP MATERIAL MASTER	
1 PLACE .X ± SEE NOTE 1		3 PLACE .XXX ±	
2 PLACE .XX ±		ANGLES ±	
UNLESS OTHERWISE SPECIFIED DIMENSIONS ARE IN INCHES INTERPRET PER ANSI Y 14.5M-1994	NAME	DATE	TITLE
	CE		TALON-GROUND-4
	RW		
	AD		
	RE		
ECN			
SCALE	DOCUMENT NO.		
1:42	TALON-GROUND-4		
SIZE	Auth Group	MODEL	DRAWING
C		VERSION	STATUS
		REVISION	VERSION
			STATUS
			REVISION
			SHEET
			1 OF 1

DENSITY	lbs/in <sup>3</sup>
MASS	lbs
VOLUME	in <sup>3</sup>
SURFACE AREA	in <sup>2</sup>
HEIGHT	
LENGTH	
WIDTH	