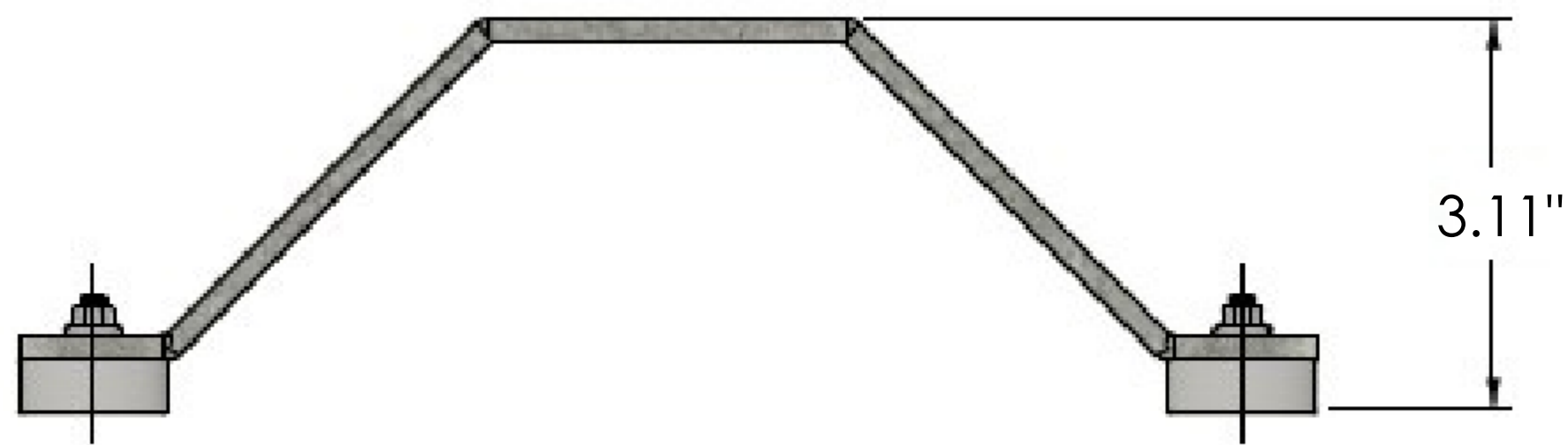
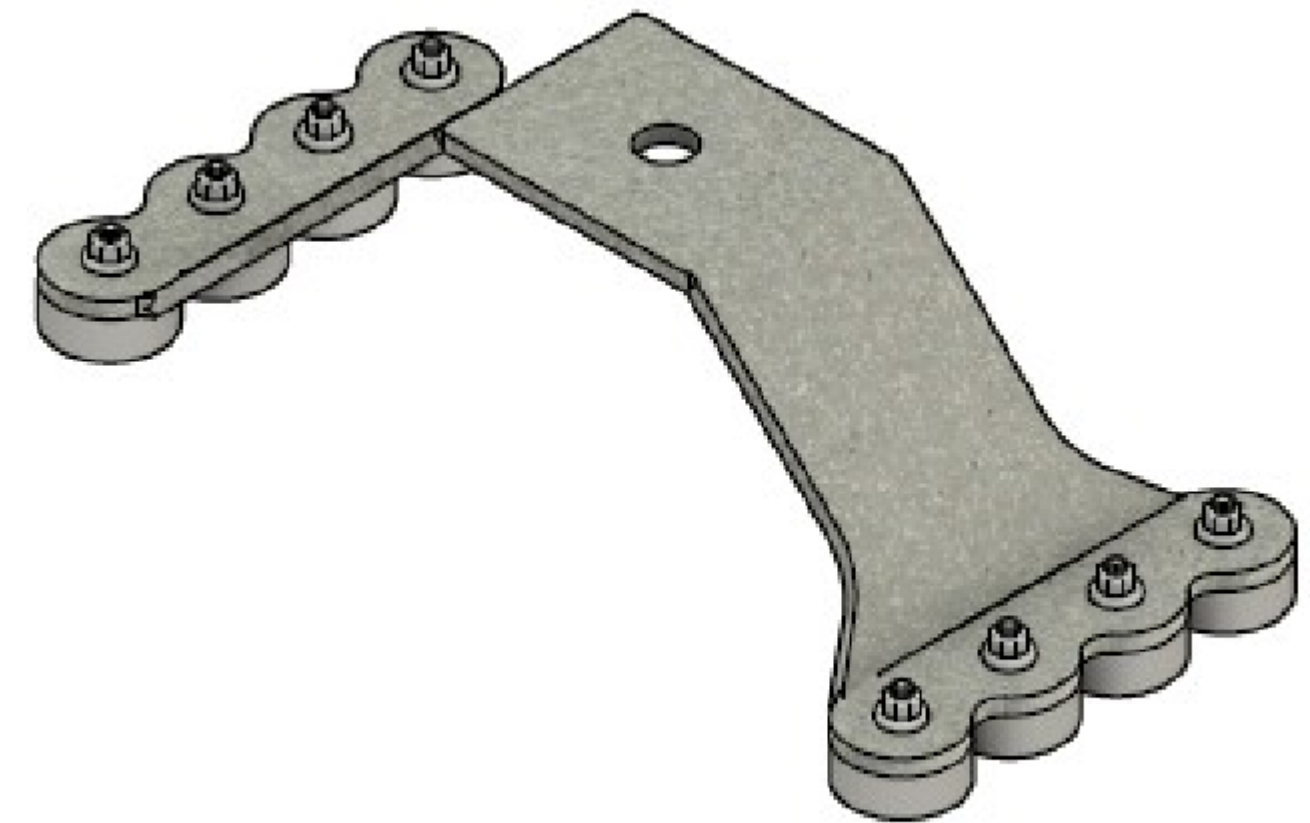
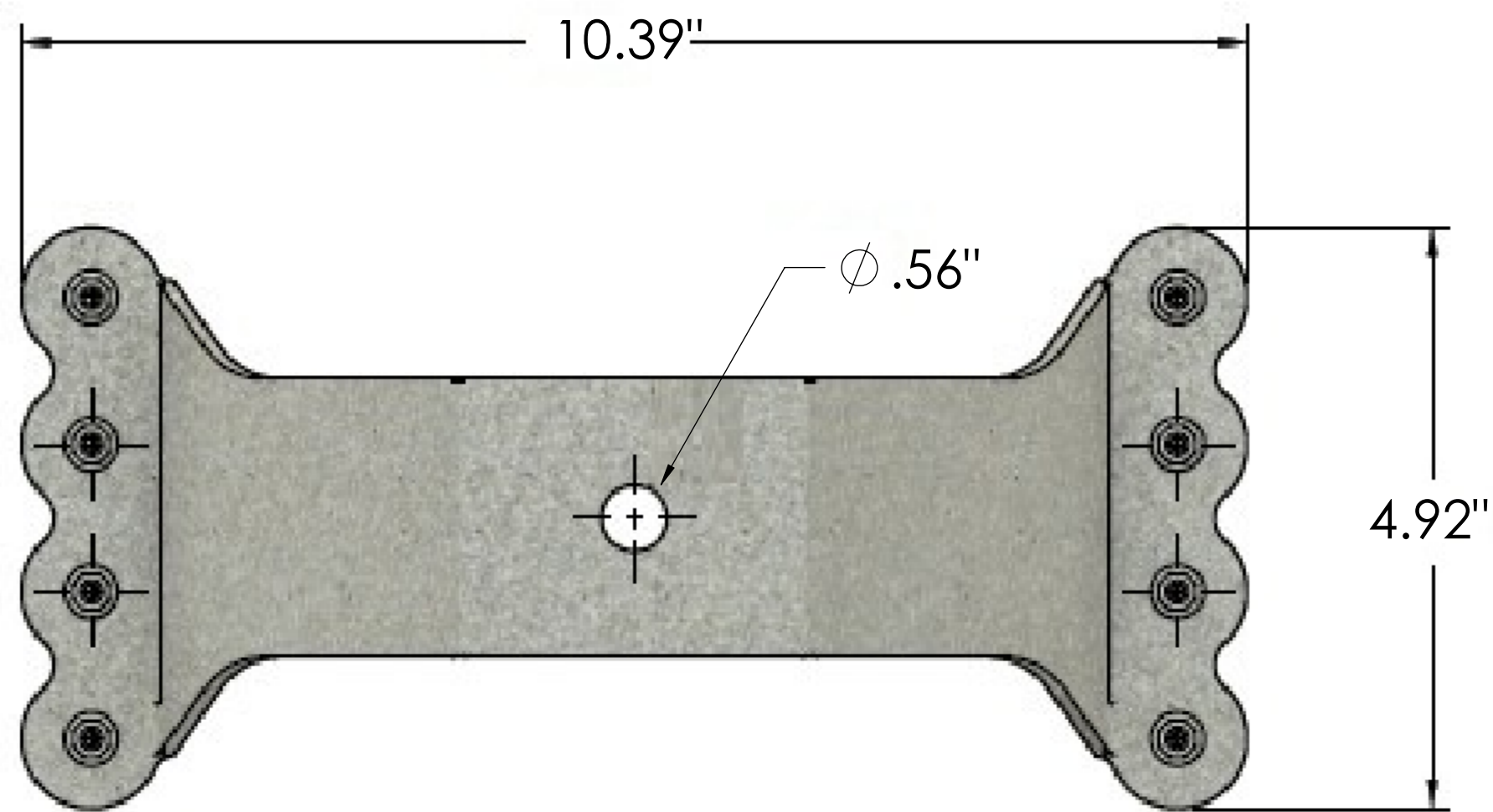


REVISIONS			
REV.	DESCRIPTION	BY	DATE
A	INITIAL RELEASE	MJP	04/08/26



FINISH		MATERIAL	
TOLERANCES		SAP MATERIAL MASTER	
1 PLACE .X ± SEE NOTE 1 3 PLACE .XXX ±			
2 PLACE .XX ±		ANGLES ±	
UNLESS OTHERWISE SPECIFIED DIMENSIONS ARE IN INCHES INTERPRET PER ANSI Y 14.5M-1994	NAME	DATE	TITLE
	CE		OPGW-FLT
	RW		
	AD		
	RE		
ECN		SCALE	DOCUMENT NO.
		1:42	OPGW-FLT
SIZE	Auth Group	MODEL	DRAWING
C		VERSION	STATUS
		REVISION	VERSION
			STATUS
			REVISION
			SHEET
			1 OF 1

DENSITY	lbs/in ³
MASS	lbs
VOLUME	in ³
SURFACE AREA	in ²
HEIGHT	
LENGTH	
WIDTH	

4

3

2

1