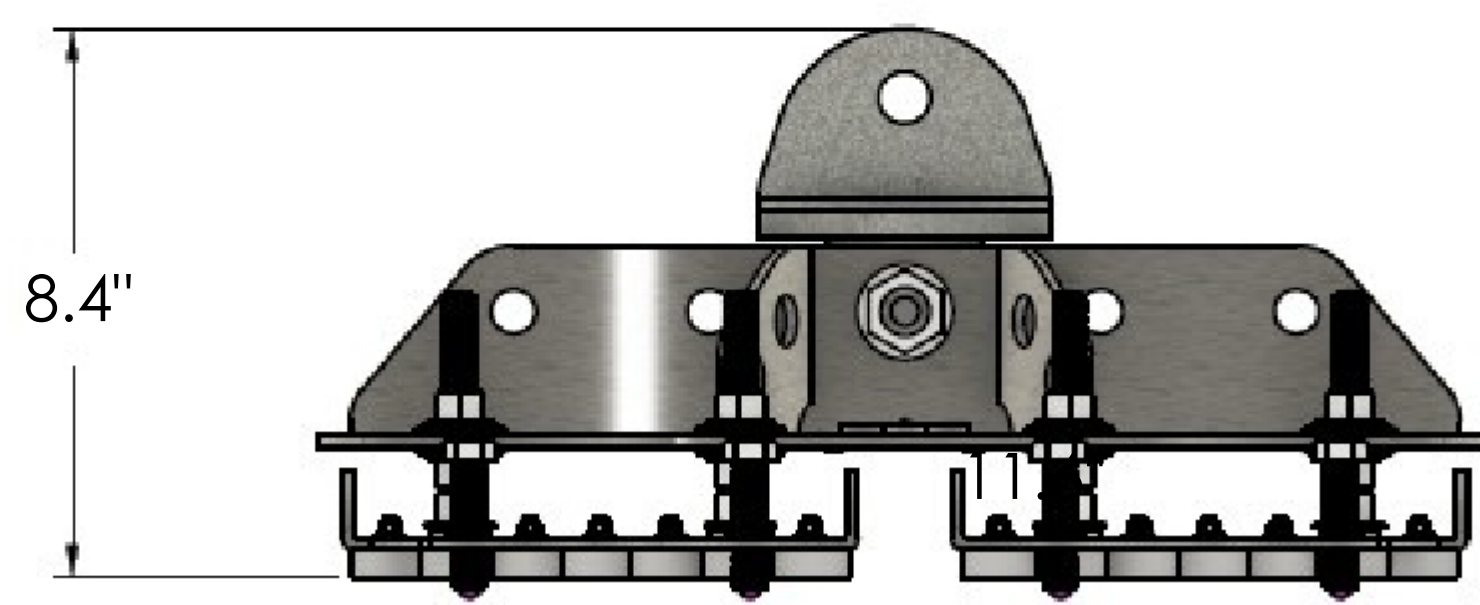
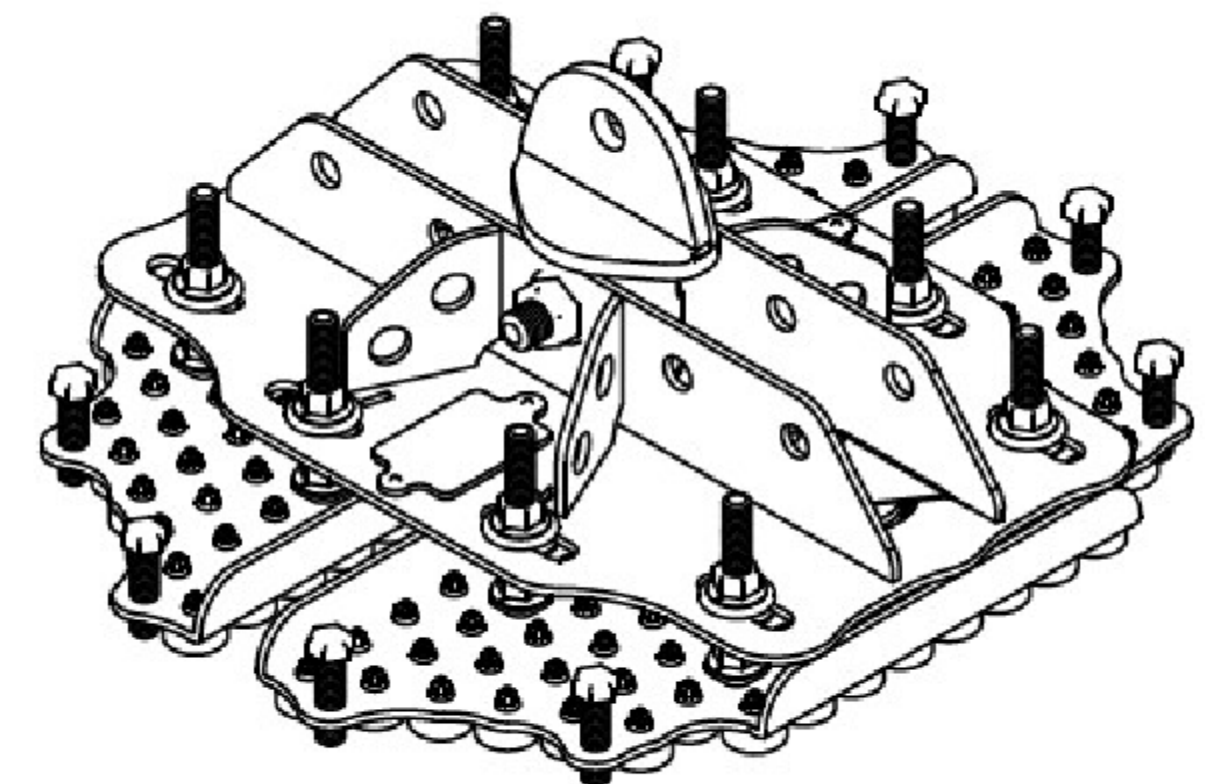
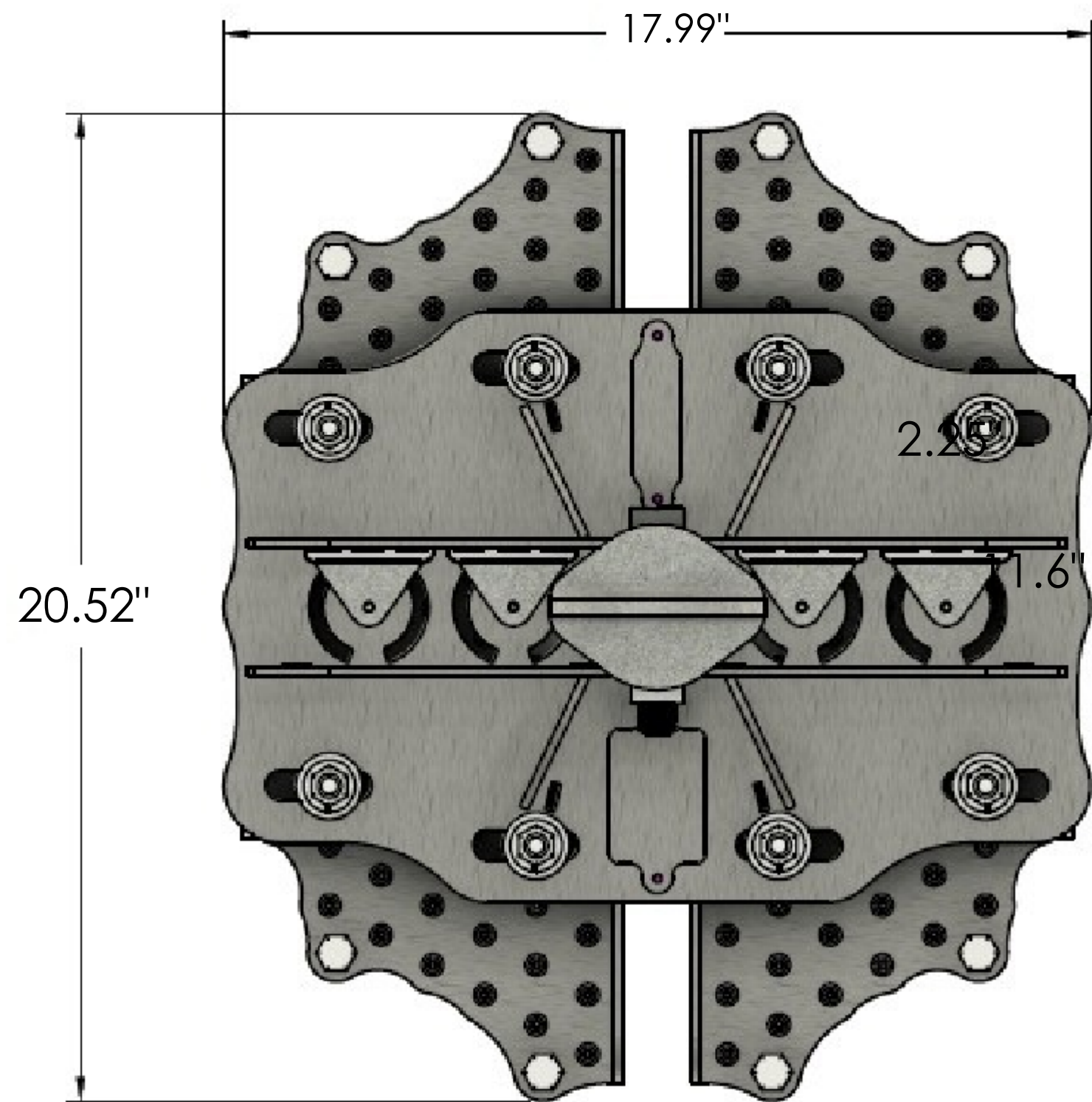


REVISIONS			
REV.	DESCRIPTION	BY	DATE
A	INITIAL RELEASE	MJP	11/17/23



TOLERANCES		SAP MATERIAL MASTER	
1 PLACE .X ± SEE NOTE 1		3 PLACE .XXX ±	
2 PLACE .XX ±		ANGLES ±	
FINISH		MATERIAL	
UNLESS OTHERWISE SPECIFIED DIMENSIONS ARE IN INCHES INTERPRET PER ANSI Y 14.5M-1994	NAME	DATE	TITLE
	CE		MAGFOOT-170-FLT
	RW		
	AD		
	RE		
ECN			SCALE DOCUMENT NO. 1:42 MAGFOOT-170-FLT
SIZE	Auth Group	MODEL	DRAWING
C	⊕	VERSION	STATUS
		REVISION	REVISION
		REVISION	REVISION
			SHEET 1 OF 1

DENSITY	lbs/in ³
MASS	lbs
VOLUME	in ³
SURFACE AREA	in ²
HEIGHT	
LENGTH	
WIDTH	