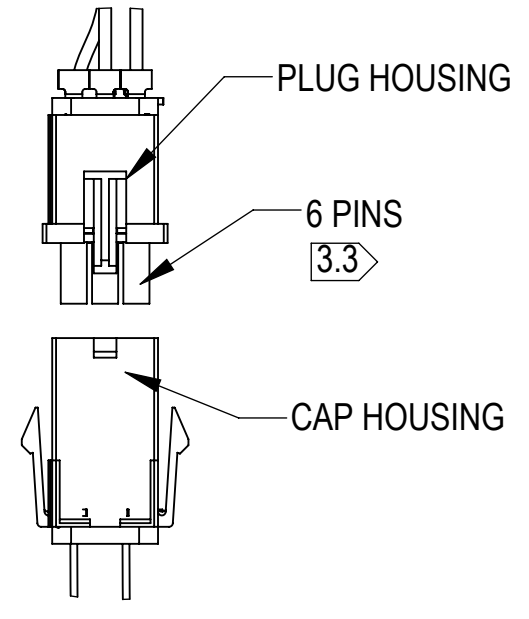
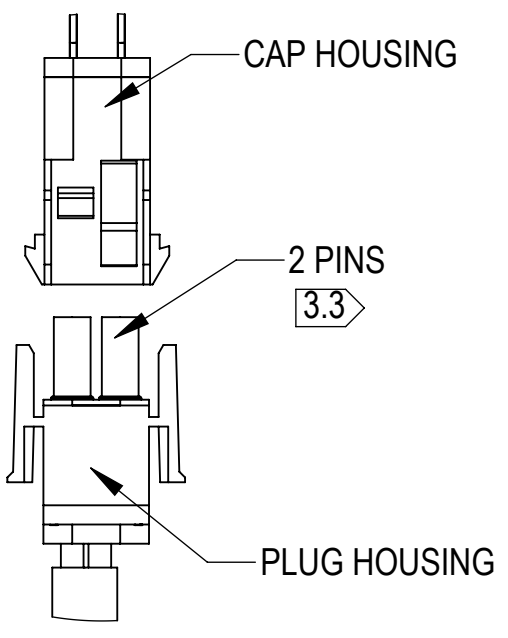


- 1.0 GENERAL NOTES
 1.1 ALL METRIC DIMENSIONS ARE IN BRACKETS [X.X]
 1.2 FEATURES CRITICAL TO QUALITY ARE INDICATED IN ROUNDED BOX (X.X)
 1.3 3D DIGITAL FILES ARE FOR REFERENCE. IN CASE OF CONFLICT FOLLOW PDF DRAWING
- 2.0 DESIGN NOTES
- 3.0 MANUFACTURING/SPECIAL REQUIREMENTS
- 3.1 Y-CABLE
 - 3.1A LEAVE SUFFICIENT SLACK. LOCATE THERMISTORS 0.5 TO 2.0 INCHES ABOVE HIGHEST POWER RADIO SO THERMISTOR IS NOT TOUCHING ANYTHING AND DRESS CABLE WITH TIES
 - 3.1B CABLE TIE OVER ALL WIRING WITHIN 2.0" ENTERING 2 POSITION CONNECTOR
 - 3.1C CABLE TIE OVER WIRING PAIRS IN 2 LOCATIONS, EQUALLY SPACED ALONG REMAINING LENGTH CREATING "Y" CABLE
 - 3.2 POWER SUPPLY CABLE
 - 3.2A CONNECT THE END WIRE TO THE CIRCUIT BREAKER.
 - 3.2B CONNECT POWER SUPPLY INPUT TO 120V AC SOURCE, ROUTE POWER SUPPLY INPUT CABLE FROM POWER TO BOTTOM PLATE THEN SECURE WITH CABLE TIES.
 - 3.2C GREEN WIRE CONNECTED TO GROUND
 - 3.2D WHITE WIRE CONNECTED TO "NEUTRAL" BUSBAR
 - 3.2E BLACK WIRE CONNECTED TO BREAKERS, BOTH 5 AMP AND 15 AMP BREAKER ARE FINE. 5 AMP IS PREFERRED.
 - 3.3 ENSURE THAT THE MATING CONNECTORS HAVE IDENTICAL NUMBER OF CIRCUITS AND A PIN CONTACT MATING WITH A SOCKET CONTACT. ALIGN THE MATING FACES OF THE CONNECTORS, AND PUSH THEM TOGETHER UNTIL THE LOCKING LATCH FULLY ENGAGES THE LOCKING TAB.
 - 3.4 APPLICABLE TO FANS 860644949 AND 860638375
 - 3.5 APPLICABLE TO POWER SUPPLY CABLE 860642044 AND 860691152
- 4.0 TEST
- 5.0 PACKAGING
 5.1 PACKAGING SHALL MEET ANDREW REQUIREMENTS PER DOCUMENT IS-PL-3005

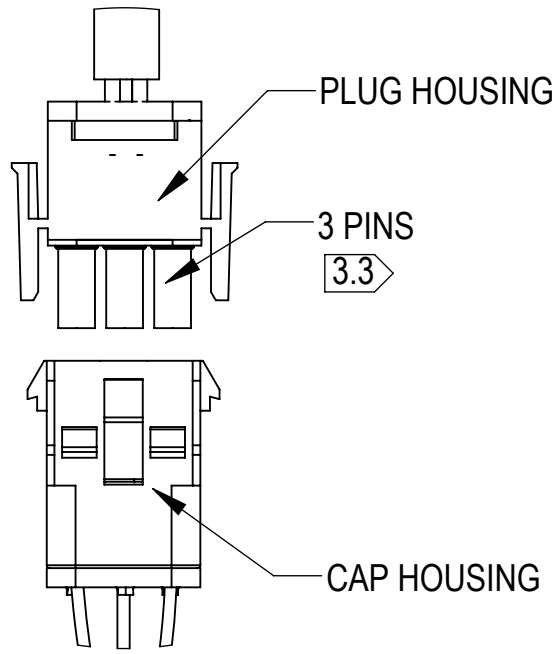
REVISIONS			
REV.	DESCRIPTION	DATE	APPROVED
A	INITIAL RELEASE	ZL1057 26MAR26	WQ1001 50107337AMO



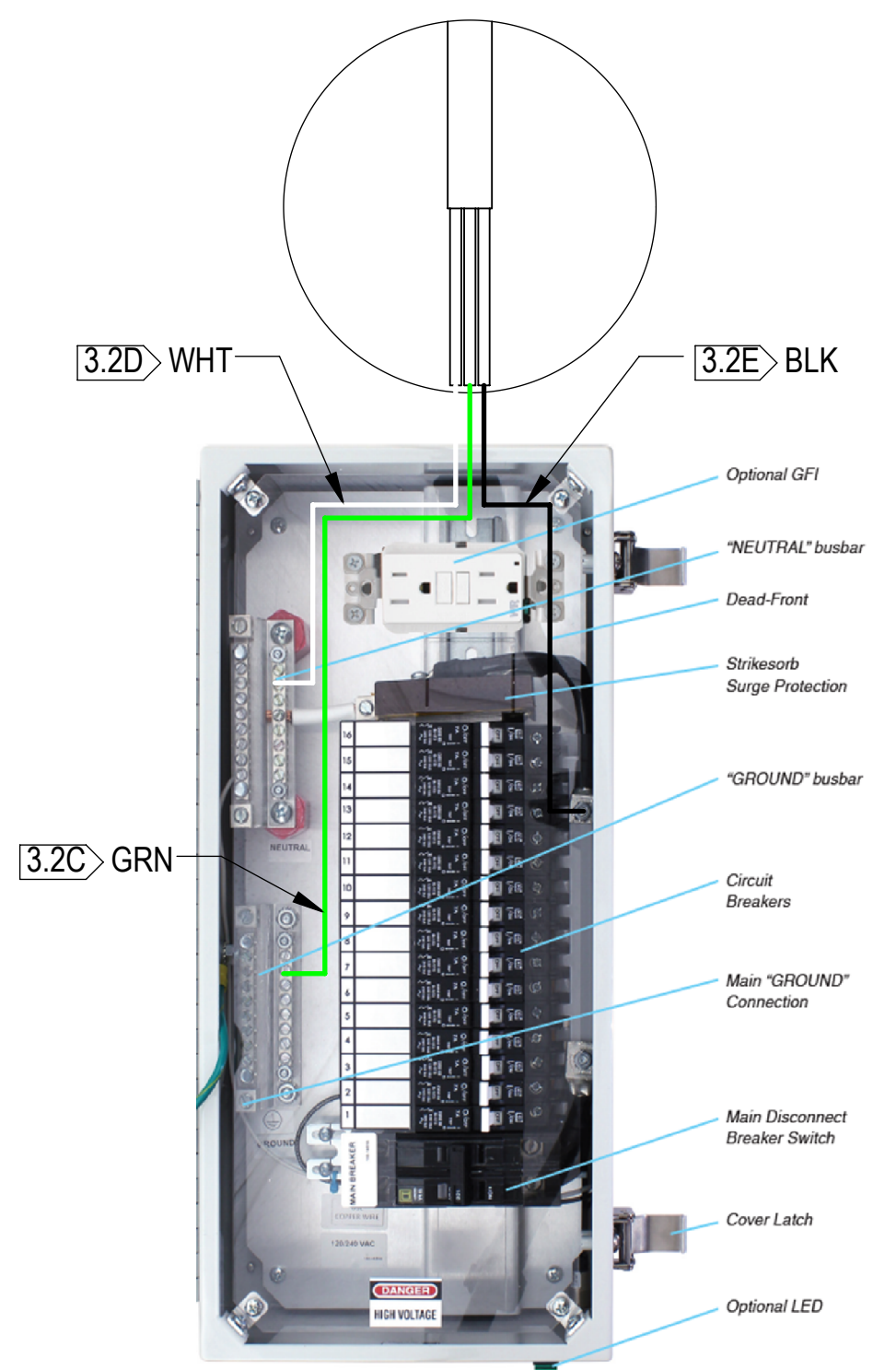
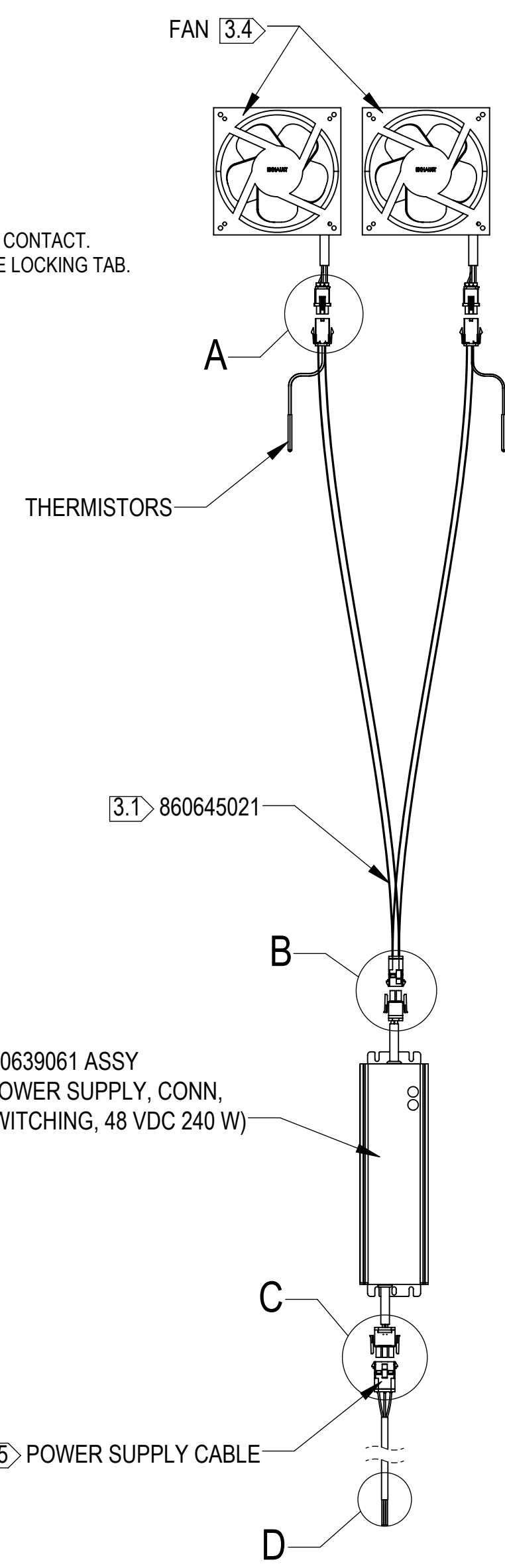
DETAIL A
SCALE 1 : 1



DETAIL B
SCALE 1 : 1



DETAIL C
SCALE 1 : 1



DETAIL D
SCALE 1 : 1
REFERENCE ONLY

DENSITY	lbs/in ³
MASS	lbs
VOLUME	in ³
SURFACE AREA	in ²
HEIGHT	
LENGTH	
WIDTH	

Confidential

TOLERANCES		SAP MATERIAL MASTER	
1 PLACE .X[X] ± 0.2[6.3]	3 PLACE .XXX[X] ± 0.060[1.5]		
2 PLACE .XX[X] ± 0.12[3.0]	ANGLES ± 2°		
FINISH		MATERIAL	
<small>UNLESS OTHERWISE SPECIFIED DIMENSIONS ARE IN INCHES INTERPRET PER ANSI Y 14.5M-1994</small>		NAME	DATE
		CE ZL1057	26MAR26
		RW ZL1057	04/03/2026
		AD WQ1001	04/07/2026
ECN 50107337AMO		RE DM1121	04/07/2026
TITLE		SCALE	
FAN INSTALLATION INSTRUCTIONS		1:4	
		MC-FAN KIT-IB	
SIZE		DRAWING	
Auth Group	INSL	MODEL	VERSION
RE	RE	REVISION	REVISION
00	00	RE	A
SHEET		1 OF 1	