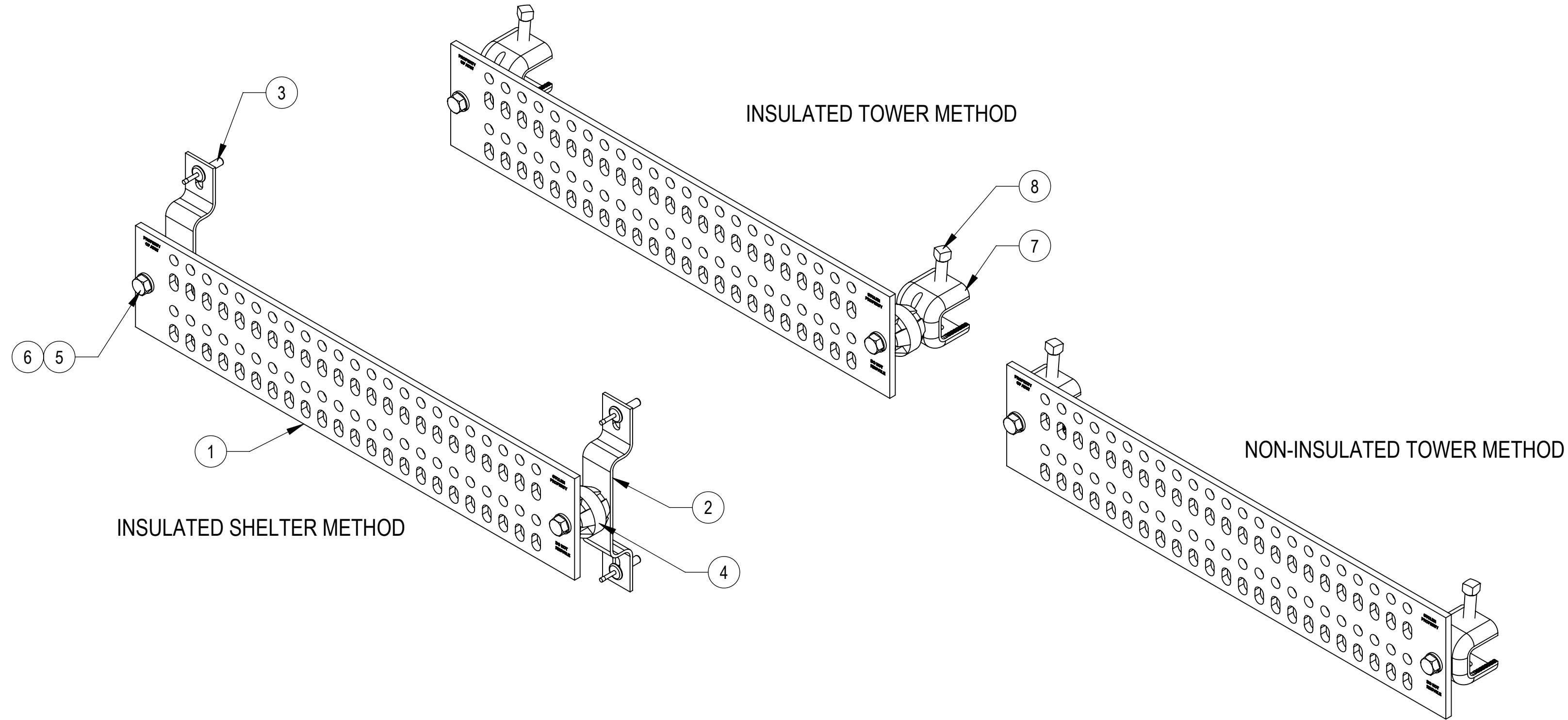


- 1.0 GENERAL NOTES
 - 1.1 ALL METRIC DIMENSIONS ARE IN BRACKETS [X. X]
 - 1.2 FOR PATENT INFO: <https://www.adwpat.com>
- 2.0 DESIGN NOTES
 - 2.1 BUS BAR SHOWN IN VARIOUS MOUNTING CONFIGURATIONS.
- 3.0 MANUFACTURING/SPECIAL REQUIREMENTS
- 5.0 PACKAGING
 - 5.1 PACKAGING SHALL MEET ANDREW REQUIREMENTS PER DOCUMENT IS-PL-3005
 - 5.2 PRINTED DOCUMENT TO BE PLACED INSIDE POLYBAG AND THEN IN SHIPPING CONTAINER
 - 5.3 EXTRA HARDWARE MAY BE SUPPLIED, BAGGED AND SHIPPED

REVISIONS			
REV.	DESCRIPTION	DATE	APPROVED
A	INITIAL RELEASE	MSM 10DEC09	TP
B	UPDATE BOM	MSM 10APR13	TP
C	UPDATED DRAWING FORMAT TO NEW	LL1090 28NOV25	BA1025 50106033AMO




COMPONENT PART NUMBERS PROVIDED FOR ASSEMBLY PURPOSES;
INDIVIDUAL COMPONENTS MAY BE SHIPPED AS PARTS WITHIN AN INCLUDED KIT.

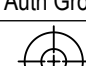
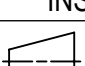
ITEM	PART NO.	DESCRIPTION	QTY.	WEIGHT	NOTE NO.
1	MTC99920420T01	GROUND BUSS BAR	1	5.16 LBS	
2	MT500GDP	STANDOFF BRACKET	2	0.33 LBS	
3	DPA141ZP	6.5 X 25MM DRIVE PIN ANCHOR	4	0.02 LBS	
4	MT520	INSULATOR W/ 3/8" INSERT	2	0.21 LBS	
5	SB0305	3/8" X 5/8" SS BOLT	4	0.04 LBS	
6	SWL-03	3/8" SS LOCK WASHER	4	0.01 LBS	
7	45840G-1	HANGER CLAMP	2	0.38 LBS	
8	GB0316-4	SQUARE HEAD SET SCREW, 3/8-16X1-3/4	2	0.07 LBS	

DENSITY	lbs/in ³
MASS	lbs
VOLUME	in ³
SURFACE AREA	in ²
HEIGHT	
LENGTH	
WIDTH	

Confidential



ANDREW® an Amphenol company

TOLERANCES		SAP MATERIAL MASTER	
1 PLACE .X[X] ± 0.2[6.3]	3 PLACE .XXX[X] ± 0.06[1.5]	MTC99920420T	
2 PLACE .XX[X] ± 0.12[3.0]	ANGLES ± 2°		
FINISH		MATERIAL	
UNLESS OTHERWISE SPECIFIED DIMENSIONS ARE IN INCHES INTERPRET PER ANSI Y 14.5M-1994		NAME	DATE
		CE MSM	10DEC09
		RW LL1090	01/08/2026
		AD YMENG	01/08/2026
RE YMENG	01/09/2026	4IN X 20IN CUSTOM GROUND BUS BAR, TINNED	
ECN 50106429AMO			
SCALE 1:1		DOCUMENT NO. MTC99920420T	
SIZE C	Auth Group INSL	MODEL	
		VERSION	STATUS
		01	RE
		DRAWING	
		VERSION	STATUS
		01	RE
		REVISION	REVISION
		C	C
		SHEET 1 OF 1	