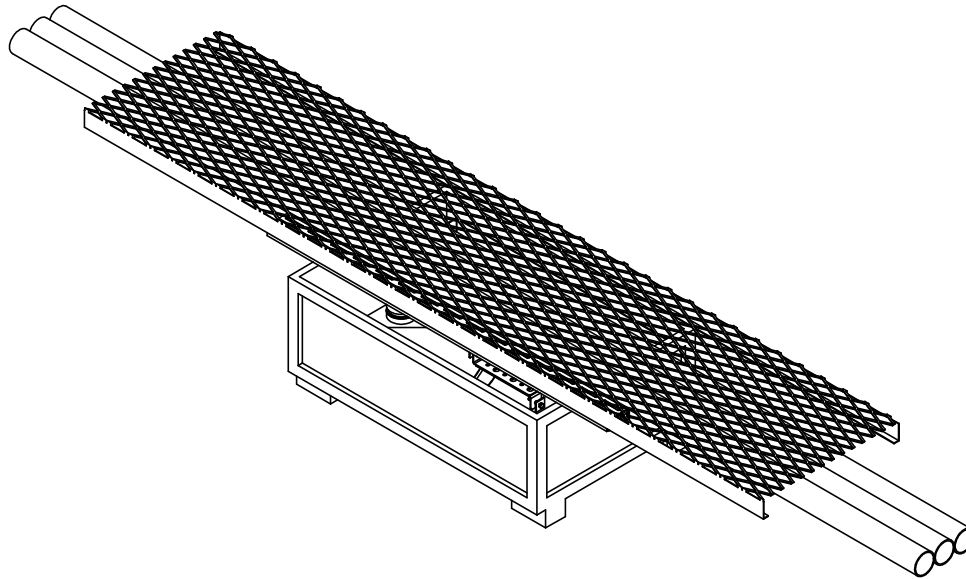


NOTES:
1.0 ALL METRIC DIMENSIONS ARE IN BRACKETS.

REVISIONS				
REV.	ECN	DESCRIPTION	BY	DATE
A	8000008278	INITIAL RELEASE	MSM	05/20/15



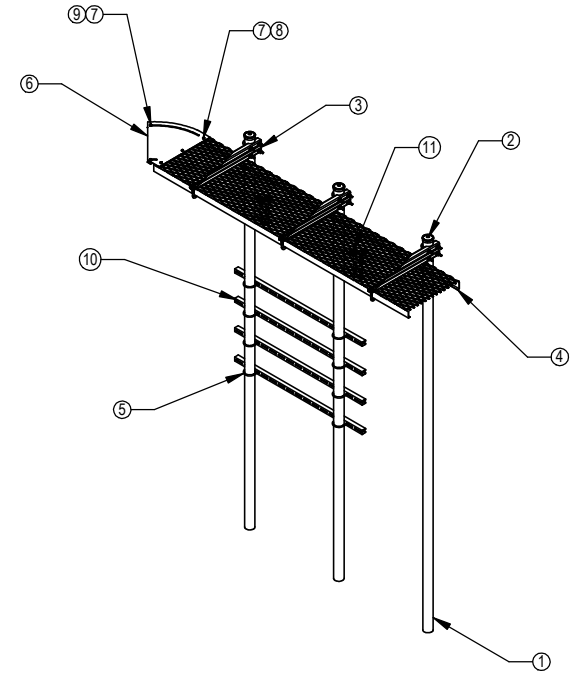
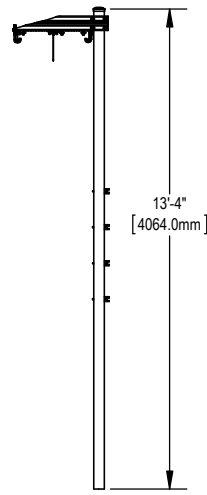
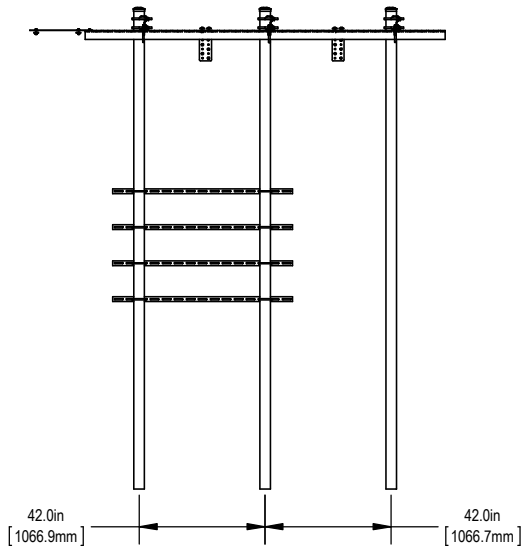
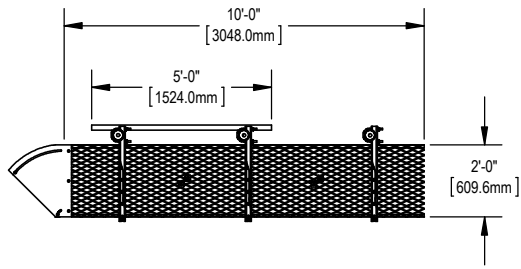
ITEM	PART NO.	DESCRIPTION	QTY.	WEIGHT	NOTE NO.
1	MTC3746BHK	HARDWARE KIT FOR MTC3746B	1	98.73 LBS	
2	WB-CY210	SAFETY GRATING 24" X 10'	1	44.39 LBS	
3	MF-130	Ø3.5" O.D. X 13'-4" DIRECT BURIAL PIPE COLUMN	3	78.64 LBS	
4	MT50460	SQ. SUPPORT RAIL 1-5/8" X 60" LONG	4	9.34 LBS	

COMMSCOPE, INC. OF NORTH CAROLINA

TOLERANCES		SAP MATERIAL MASTER		
0 PLACE X ± .25	2 PLACE XX ± .06	MTC3746B		
1 PLACE .X ± .12	ANGLES ± 2°			
FINISH GALV A123		MATERIAL A36, A500, A568		
UNLESS OTHERWISE SPECIFIED, DIMENSIONS ARE IN MILLIMETERS (IN PARENTHESES). SURFACE FINISH SHALL BE UNLESS OTHERWISE SPECIFIED. VOLUMES 1 & 2, THIRD EDITION (2012)		NAME CE MSM	DATE 05/05/15	TITLE CUSTOM BURIAL WGB WITH CHANNELS
DENSITY	416.41 lbs/in ³	RE	TP	SCALE 1:12
MASS	lbs	ECN	8000008278	DOCUMENT NO. MTC3746B
VOLUME	in ³	SIZE WORK AREA		
SURFACE AREA	in ²	VERSION		STATUS
HEIGHT		REVISION		REVISION
LENGTH		DRAWING		STATUS
WIDTH		REVISION		REVISION
		SHEET		1 OF 2

DENSITY	416.41	lbs/in ³
MASS		lbs
VOLUME		in ³
SURFACE AREA		in ²
HEIGHT		
LENGTH		
WIDTH		

NOTES:
1.0 ALL DIMENSIONS ARE IN BRACKETS.



ITEM	PART NO.	DESCRIPTION	QTY.	WEIGHT	NOTE NO.
1	MF-130	Ø3.5" O.D. X 13'-4" DIRECT BURIAL PIPE COLUMN	3	78.64 LBS	
2	PC-034	Ø3½" PIPE CAP	3	0.54 LBS	
3	WB-LB24-3	24" WAVEGUIDE BRIDGE SUPPORT KIT	3	10.14 LBS	
4	WB-CY210	SAFETY GRATING 24" X 10'	1	44.39 LBS	
5	GUB-3365	3/8" X 3-5/8" X 4-1/2" GALV U-BOLT	8	0.36 LBS	
6	MTC373904	ADJUSTABLE SPLICE	1	11.04 LBS	
7	GB-03145	3/8" X 1-1/2" GALV BOLT KIT	5	0.07 LBS	
8	MT-387	SQUARE WASHER, 1-1/2" X 1-1/2" W/ 7/16" HOLE	5	0.11 LBS	
9	GWf-03	3/8" GALV FLAT WASHER	2	0.01 LBS	
10	MT50460	SQ. SUPPORT RAIL 1-5/8" X 60" LONG	4	9.34 LBS	
11	ZB-V6	Waveguide Bridge Bracket	2	1.88 LBS	

COMMSCOPE, INC. OF NORTH CAROLINA			
TITLE			
CUSTOM BURIAL WGB WITH CHANNELS			
SIZE	SCALE	DOCUMENT NO.	
C	1:32	MTC3746B	
DRAWING		VERSION	STATUS
REVISION		REVISION	STATUS
SHEET		2 OF 2	