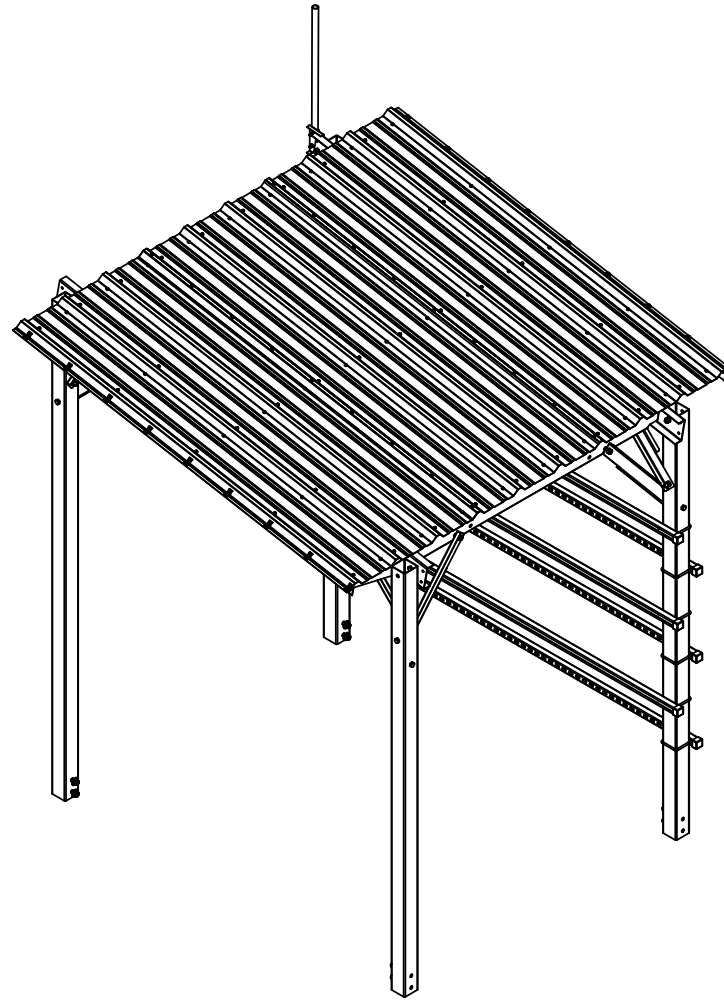


NOTES:



ITEM	PART NO.	DESCRIPTION	QTY.	WEIGHT	NOTE NO.
1	GB-03125	3/8" X 1-1/4" GALV BOLT KIT	32	0.06 LBS	
2	GB-03225	3/8" X 2-1/4" GALV BOLT KIT	2	0.09 LBS	
3	GB-05125	5/8" X 1-1/4" GALV BOLT KIT	12	0.20 LBS	
4	GB-05205	5/8" X 2" GALV BOLT KIT	8	0.26 LBS	
5	GB-05545	5/8" X 5-1/2" GALV BOLT KIT	8	0.56 LBS	
6	GW-05	5/8" GALV FLAT WASHER	16	0.06 LBS	
7	MT504108	UNISTRUT, SLOTTED GALV, 1-5/8 SQ X 108"	6	15.69 LBS	
8	MTC371084	3/8" X 4" X 5" SQUARE U-BOLT	12	0.50 LBS	
9	MTC371531	1/4-14X7/8 SELF DRILLING HEX HEAD LAP SCREW	36	0.02 LBS	
10	MTC3738100	ANGLE, CANOPY END	2	13.81 LBS	
11	MTC3738102	CHANNEL, CANOPY SUPPORT - PRIMARY	2	34.73 LBS	
12	MTC3738103	BRACKET, MOUNT - GPS	1	0.97 LBS	
13	MTC3738104	PIPE, GPS MOUNT	1	3.24 LBS	
14	MTC3738107	POST, CANOPY - SHORT	2	55.36	
15	MTC3738126	POST, CANOPY - LONG	2	64.61	
16	MTC373817	SUPPORT, CANOPY END - ROOF	10	3.64 LBS	
17	MTC373872	CHANNEL, CANOPY SUPPORT - SECONDARY	3	22.82 LBS	
18	MTC3799C26	CLIP, RDR PANEL	18	0.05 LBS	
19	MTC3813C14	CANOPY BRACE, 11 GA, 30"	8	4.18 LBS	
20	PTCR01	END CAP	12	0.05 LBS	
21	RDR2636100	ROOF DECKING PBR 24 GA 36" X 144"	3	29.54 LBS	
22	TS1275	TEK SCREW #12 X 3/4, WITH NEOPRENE WASHER	84	0.02 LBS	
23	WB-TS12	TRAPEZE KIT, 12" WIDE, 1 RUNG	3	2.15 LBS	

DENSITY	0.28	lbs/in ³
MASS	1760.21	lbs
VOLUME	6235.74	in ³
SURFACE AREA		in ²
HEIGHT		
LENGTH		
WIDTH		

COMMSCOPE, INC. OF NORTH CAROLINA

TOLERANCES		SAP MATERIAL MASTER																											
0 PLACE X ± .25	2 PLACE XX ± .03	MTC3738CK																											
1 PLACE .X ± .06	ANGLES ± 2°																												
FINISH		MATERIAL																											
GALV A123		A500, A1011																											
<table border="1" style="width: 100%;"> <tr><th>NAME</th><th>DATE</th><th>TITLE</th></tr> <tr><td>CE RDLS</td><td>1/31/17</td><td rowspan="5" style="text-align: center;">KIT, 8X8 PLATFORM CANOPY</td></tr> <tr><td>RW</td><td></td></tr> <tr><td>RV</td><td></td></tr> <tr><td>AD</td><td></td></tr> <tr><td>RE TP</td><td>1/31/17</td></tr> </table>		NAME	DATE	TITLE	CE RDLS	1/31/17	KIT, 8X8 PLATFORM CANOPY	RW		RV		AD		RE TP	1/31/17	<table border="1" style="width: 100%;"> <tr><th>SCALE</th><th>DOCUMENT NO.</th></tr> <tr><td style="text-align: center;">1:20</td><td style="text-align: center;">MTC3738CK</td></tr> </table>		SCALE	DOCUMENT NO.	1:20	MTC3738CK								
NAME	DATE	TITLE																											
CE RDLS	1/31/17	KIT, 8X8 PLATFORM CANOPY																											
RW																													
RV																													
AD																													
RE TP	1/31/17																												
SCALE	DOCUMENT NO.																												
1:20	MTC3738CK																												
ECN 8000021052																													
<table border="1" style="width: 100%;"> <tr><th>SIZE</th><th>WORK AREA</th><th>MODEL</th><th>DRAWING</th></tr> <tr><td style="text-align: center;">C</td><td style="text-align: center;">⊕</td><td>VERSION</td><td>STATUS</td></tr> <tr><td></td><td></td><td>REVISION</td><td>VERSION</td></tr> <tr><td></td><td></td><td></td><td>STATUS</td></tr> <tr><td></td><td></td><td></td><td>REVISION</td></tr> <tr><td></td><td></td><td></td><td>A</td></tr> </table>		SIZE	WORK AREA	MODEL	DRAWING	C	⊕	VERSION	STATUS			REVISION	VERSION				STATUS				REVISION				A	<table border="1" style="width: 100%;"> <tr><th>SHEET</th></tr> <tr><td style="text-align: center;">2 OF 5</td></tr> </table>		SHEET	2 OF 5
SIZE	WORK AREA	MODEL	DRAWING																										
C	⊕	VERSION	STATUS																										
		REVISION	VERSION																										
			STATUS																										
			REVISION																										
			A																										
SHEET																													
2 OF 5																													

4

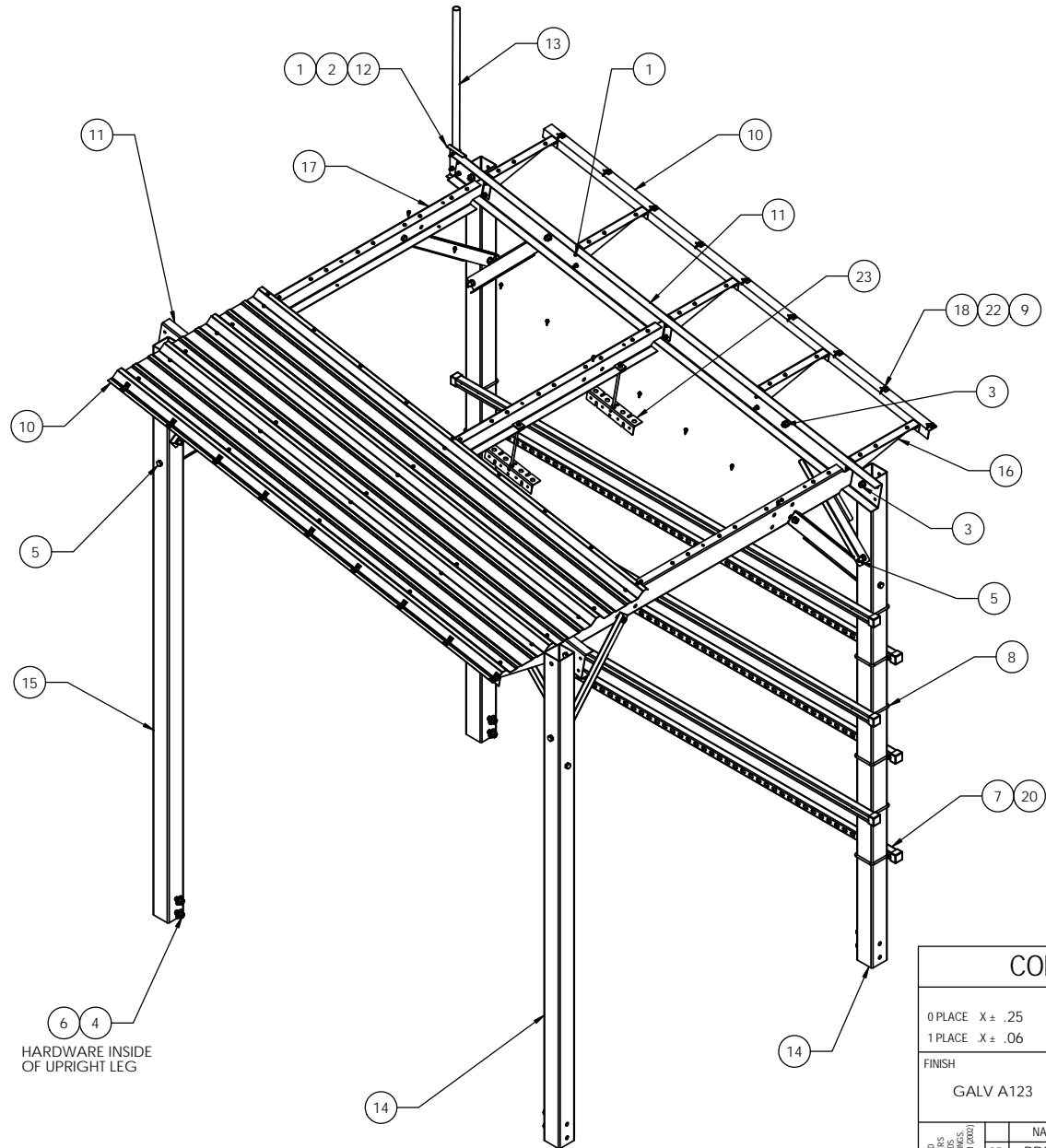
3

2

1

NOTES:

EDGE CLIPS SPACED EVERY 12" ALONG ENTIRETY OF ROOF

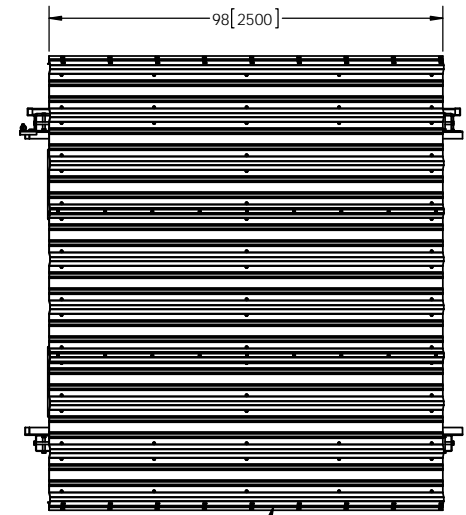
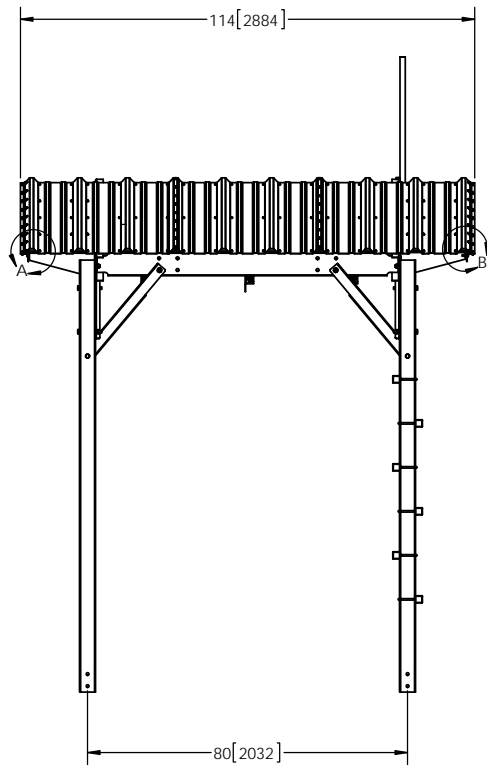
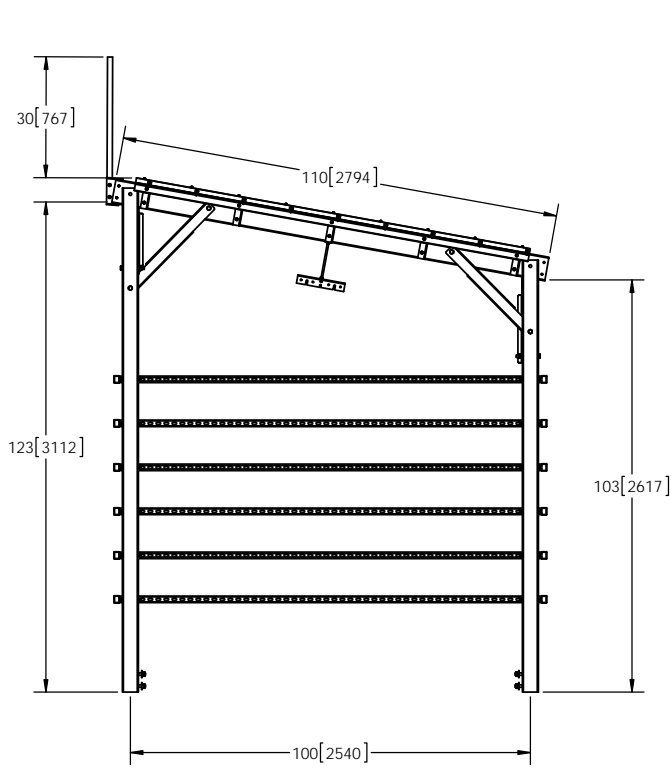
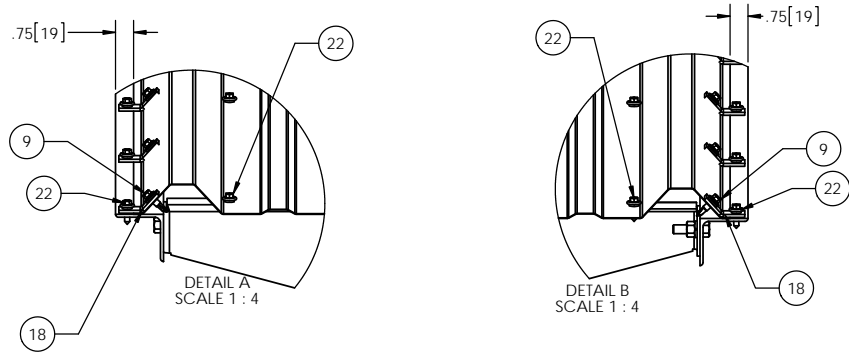


HARDWARE INSIDE OF UPRIGHT LEG

COMMSCOPE, INC. OF NORTH CAROLINA					
TOLERANCES			SAP MATERIAL MASTER		
0 PLACE	X ± .25	2 PLACE	XX ± .03	MTC3738CK	
1 PLACE	X ± .06	ANGLES	± 2°		
FINISH			MATERIAL		
GALV A123			A500, A1011		
UNLESS OTHERWISE SPECIFIED, DIMENSIONS ARE IN MILLIMETERS (IN PARENTHESES). DIMENSIONS ARE TO CENTER UNLESS OTHERWISE SPECIFIED. VOLUMES (1 & 2, THIRD EDITION (2002))		NAME	DATE	TITLE	
CE	RDLs	1/31/17	KIT, 8X8 PLATFORM CANOPY		
RW					
RV					
AD					
RE	TP	1/31/17			
ECN	8000021052		SCALE	DOCUMENT NO.	
			1:16	MTC3738CK	
HEIGHT		SIZE	WORK AREA	MODEL	
LENGTH				VERSION	REVISION
WIDTH				VERSION	REVISION
					A
					SHEET
					3 OF 5

NOTES:

EDGE CLIPS SPACED EVERY 12" ALONG ENTIRETY OF ROOF

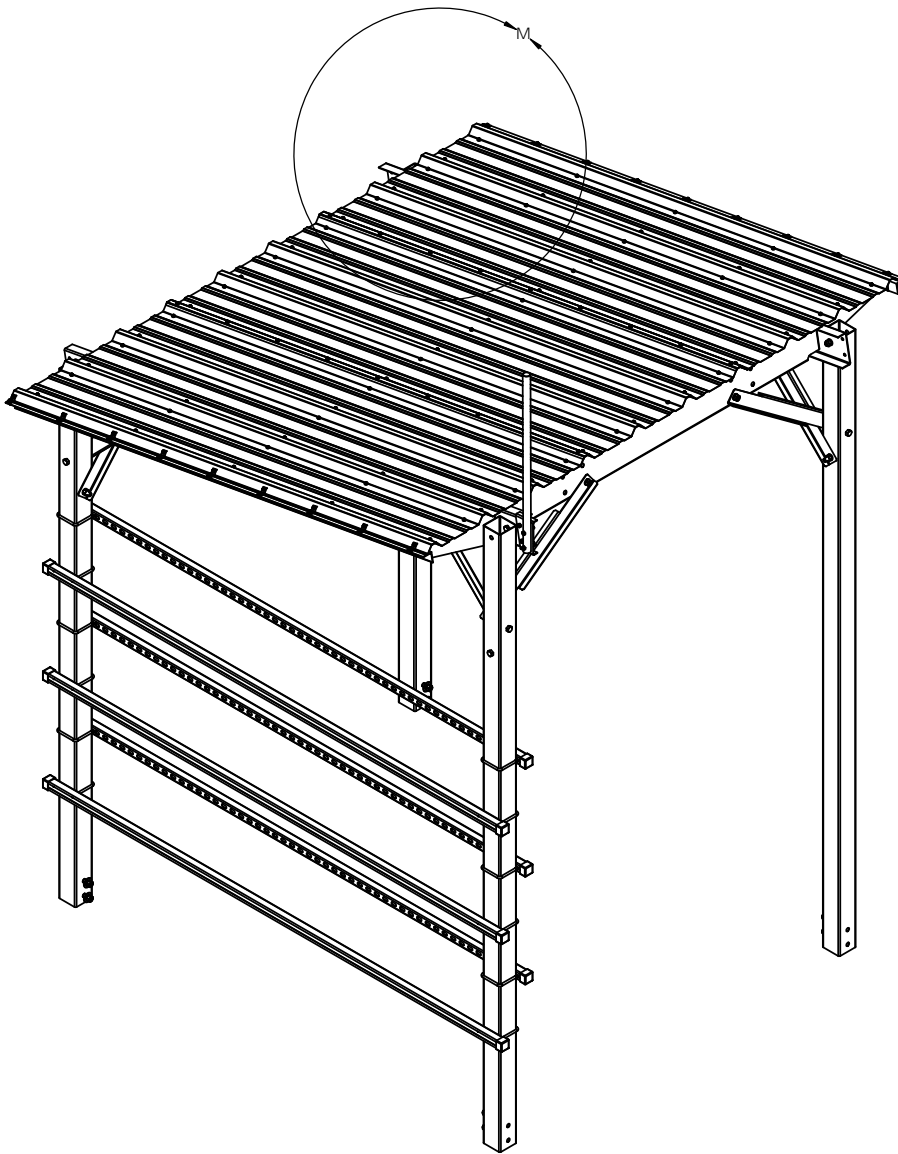


ROTATE FINAL PANEL SO THAT FINAL EDGE RESTS ON CHANNEL AS SHOWN IN DETAIL A AND DETAIL B

DENSITY	0.28	lbs/in ³
MASS	1760.21	lbs
VOLUME	6235.74	in ³
SURFACE AREA		in ²
HEIGHT		
LENGTH		
WIDTH		

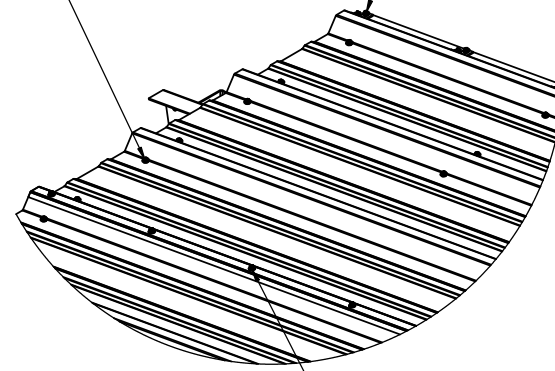
COMMSCOPE, INC. OF NORTH CAROLINA										
TOLERANCES					SAP MATERIAL MASTER					
0 PLACE X ± .25		2 PLACE XX ± .03			MTC3738CK					
1 PLACE .X ± .06		ANGLES ± 2°								
FINISH					MATERIAL					
GALV A123					A500, A1011					
UNLESS OTHERWISE SPECIFIED, DIMENSIONS ARE IN MILLIMETERS (INCHES IN PARENTHESES). INTERPOLATE BETWEEN DIMENSIONS. VOLUMES (1 & 2, THIRD EDITION (2002))		NAME	DATE	TITLE						
		CE	RDLS	1/31/17	KIT, 8X8 PLATFORM CANOPY					
		RW								
		RV								
		AD								
RE	TP	1/31/17	SCALE	DOCUMENT NO.						
ECN	8000021052		1:24	MTC3738CK						
SIZE	WORK AREA	MODEL		DRAWING		SHEET				
		VERSION	STATUS	REVISION	VERSION	STATUS	REVISION	A		

NOTES:



SCREWS SPACED EVERY 6" ON STRINGERS

CLIPS SPACED EVERY 12" ALONG EDGES



SCREWS SPACED EVERY 12" AT SEAMS

DETAIL M
SCALE 1 : 8

COMMScope, INC. OF NORTH CAROLINA

TOLERANCES		SAP MATERIAL MASTER		
0 PLACE X ± .25	2 PLACE XX ± .03	MTC3738CK		
1 PLACE .X ± .06	ANGLES ± 2°			
FINISH		MATERIAL		
GALV A123		A500, A1011		
UNLESS OTHERWISE SPECIFIED, DIMENSIONS ARE IN MILLIMETERS (IN PARENTHESES). DIMENSIONS ARE TO FACE UNLESS OTHERWISE SPECIFIED. VOLUMES (I & P, THIRD EDITION (2002))		NAME	DATE	TITLE
CE	RCLS	1/31/17	KIT, 8X8 PLATFORM CANOPY	
RW				
RV				
AD				
RE	TP	1/31/17		
ECN	8000021052	SCALE	DOCUMENT NO.	
		1:24	MTC3738CK	
HEIGHT		SIZE	WORK AREA	
LENGTH		MODEL		
WIDTH		VERSION	STATUS	
		REVISION	VERSION	
		REVISION	STATUS	
			REVISION	
			A	
			SHEET	
			5 OF 5	

DENSITY	0.28	lbs/in ³
MASS	1760.21	lbs
VOLUME	6235.74	in ³
SURFACE AREA		in ²