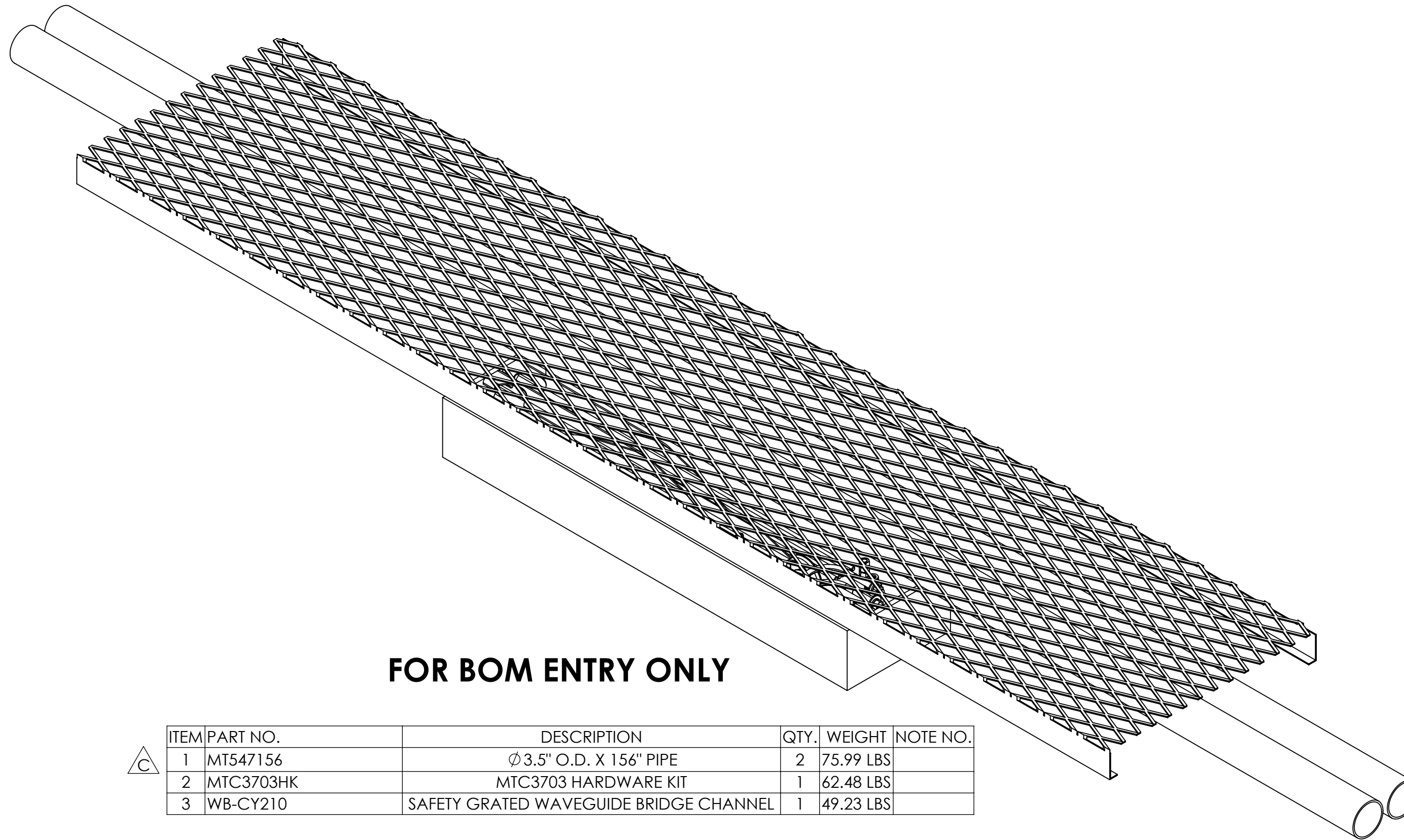


NOTES:

- 1.0 GENERAL
 - 1.1 ALL METRIC DIMENSIONS ARE IN BRACKETS
 - 1.2 FOR PATENTS, SEE WWW.CS-PAT.COM
- 2.0 DESIGN NOTES
- 3.0 MANUFACTURING/SPECIAL REQUIREMENTS
- 4.0 TEST
- 5.0 PACKAGING

REVISIONS				
REV.	ECN	DESCRIPTION	BY	DATE
A	800007710	INITIAL RELEASE	RJC	04/15/15
B	8000025996	ADDED 12' OPTION	RDLS	08/31/17
C	8000040066	UPGRADED PIPE TO 0.165" WALL THICKNESS	ES1081	04/06/20



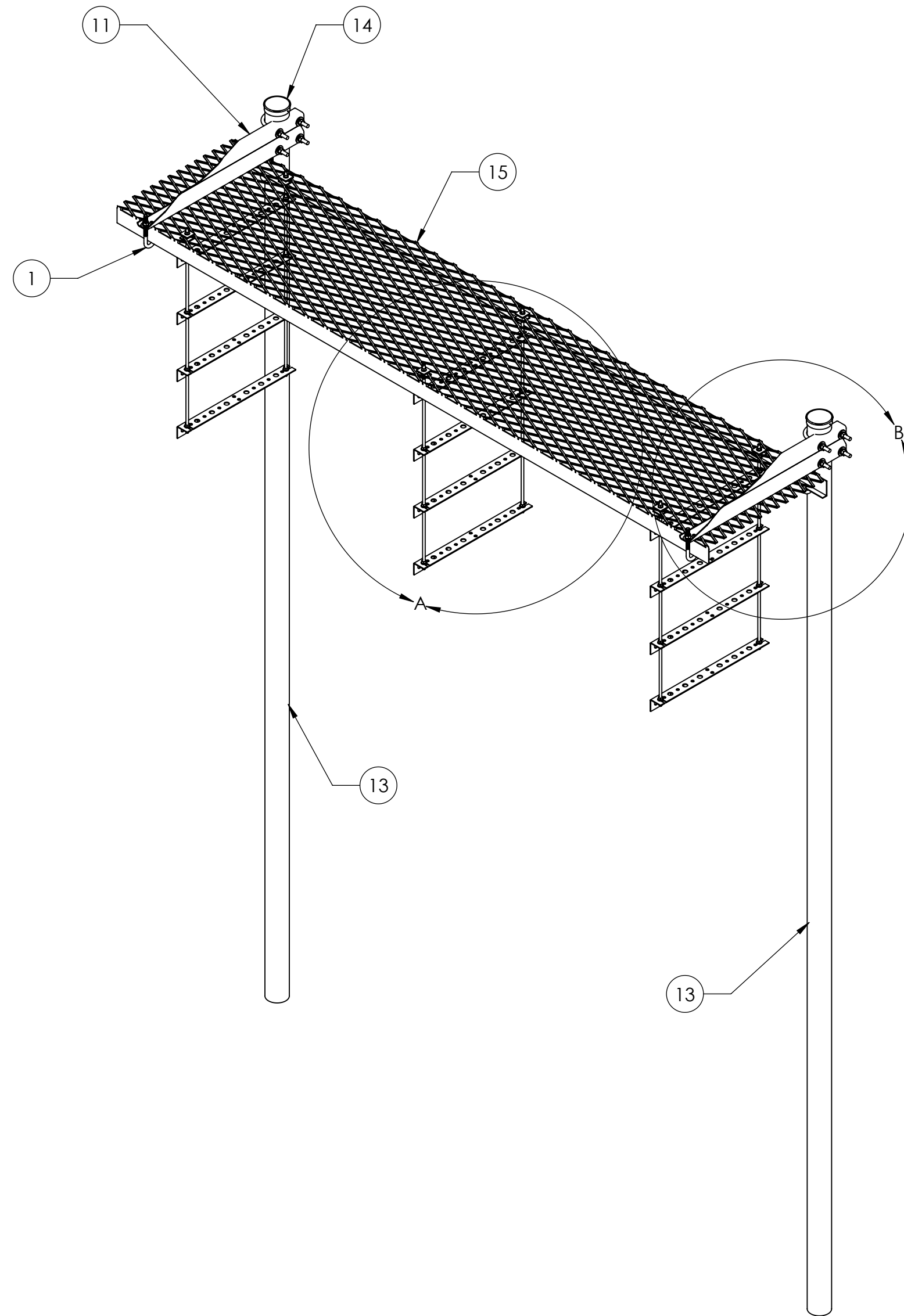
FOR BOM ENTRY ONLY

ITEM	PART NO.	DESCRIPTION	QTY.	WEIGHT	NOTE NO.
1	MT547156	Ø 3.5" O.D. X 156" PIPE	2	75.99 LBS	
2	MTC3703HK	MTC3703 HARDWARE KIT	1	62.48 LBS	
3	WB-CY210	SAFETY GRATED WAVEGUIDE BRIDGE CHANNEL	1	49.23 LBS	

COMMSCOPE, INC. OF NORTH CAROLINA										
TOLERANCES					SAP MATERIAL MASTER					
1 PLACE .X ± .25		3 PLACE .XXX ± 0.06			MTC3703					
2 PLACE .XX ± 0.12		ANGLES ± 2°								
FINISH GALV A123					MATERIAL A36, A53, A568					
UNLESS OTHERWISE SPECIFIED DIMENSIONS ARE IN INCHES INTERPRET PER ANSI Y 14.5M-1994	CE	NAME	DATE	TITLE						
	RW	ES1081	04/28/2020	CUSTOM WAVEGUIDE BRIDGE KIT						
	RV									
	AD	BCROSS	04/28/2020							
	RE	JA1132	04/29/2020							
ECN 008000040066		SCALE	DOCUMENT NO.							
		1:12	MTC3703							
SIZE		WORK AREA	MODEL			DRAWING				SHEET 1 OF 4
C		24	VERSION	STATUS	REVISION	VERSION	STATUS	REVISION		
			02	RE	C	04	RE	C		

DENSITY	lbs/in ³
MASS	lbs
VOLUME	in ³
SURFACE AREA	in ²
HEIGHT	
LENGTH	
WIDTH	


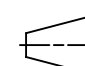
NOTES:



QUANTITIES MAY VARY DEPENDING ON SELECTED CONFIGURATION

ITEM	PART NO.	DESCRIPTION	QTY.	WEIGHT
1	WBJB6	1/2" J-BOLT	4	0.41 LBS
2	GWL-04	1/2" GALV LOCK WASHER	4	0.01 LBS
3	GN-04	1/2" GALV HEX NUT	4	0.04 LBS
4	GWF-04	1/2" GALV FLAT WASHER	4	0.04 LBS
5	GUB-4356	1/2" X 3-5/8" X 6" GALV U-BOLT	4	0.81 LBS
6	MT-374	3/8" X 36" SS THREADED ROD	6	1.12 LBS
7	SWL-03	3/8" SS LOCK WASHER	30	0.01 LBS
8	SN-03	3/8" SS HEX NUT	60	0.02 LBS
9	SWF-03	3/8" SS FLAT WASHER	48	0.01 LBS
10	MT-387	SQUARE WASHER, 1-1/2" X 1-1/2" W/ 7/16" HOLE	12	0.11 LBS
11	WBLB24308	24" WAVEGUIDE BRIDGE SUPPORT BRACKET	2	7.14 LBS
12	WBT24302	HORIZONTAL TRAPEZE SECTION	12	2.68 LBS
13	MT547156	Ø3.5" O.D. X 156" PIPE	2	75.99 LBS
14	PC-034	PIPE CAP 3-1/2"	2	0.66 LBS
15	WB-CY210	SAFETY GRATED WAVEGUIDE BRIDGE CHANNEL	1	49.23 LBS

12' LENGTH SAFETY GRATE PART NUMBER IS MTC963101

COMMSCOPE, INC. OF NORTH CAROLINA					
TITLE CUSTOM WAVEGUIDE BRIDGE KIT					
SIZE C	SCALE 1:40	DOCUMENT NO. MTC3703			
 		DRAWING			SHEET 2 OF 4
		VERSION 04	STATUS RE	REVISION C	

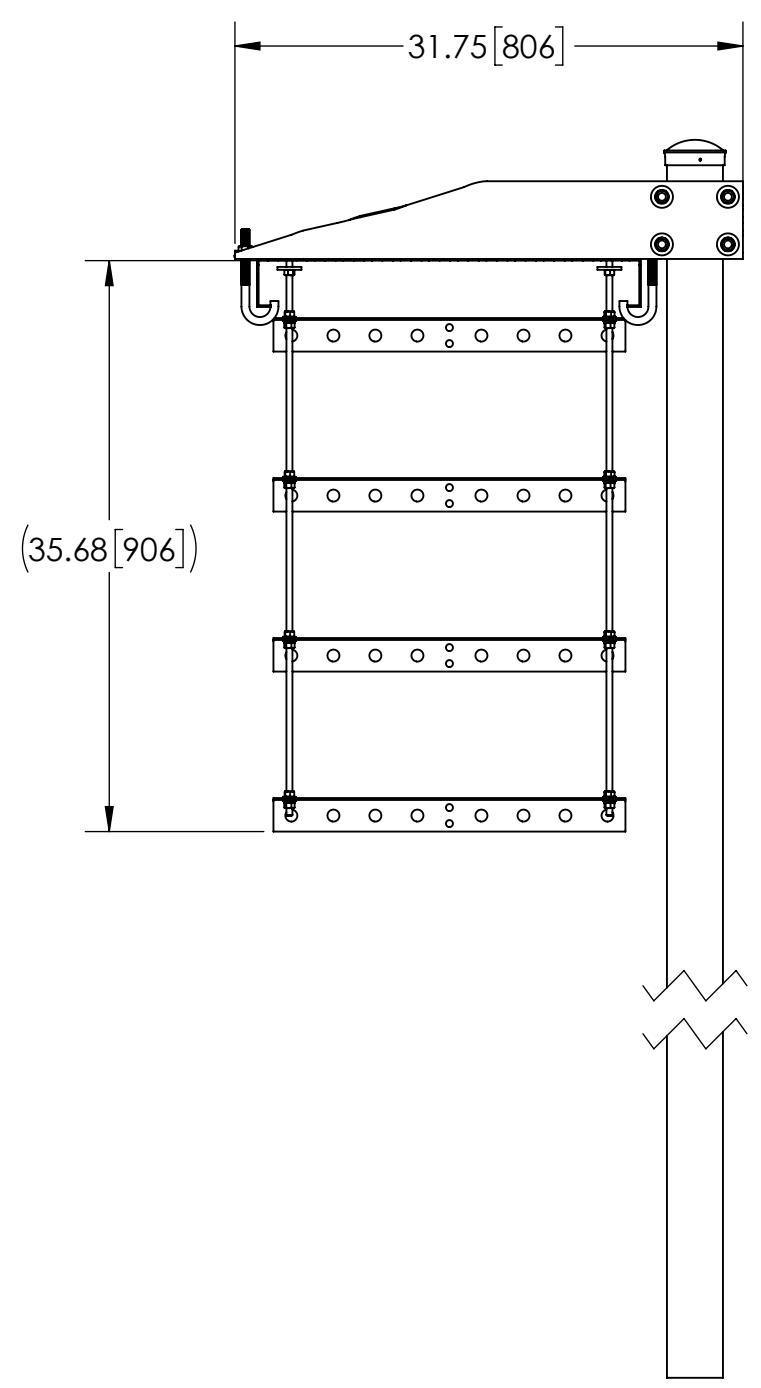
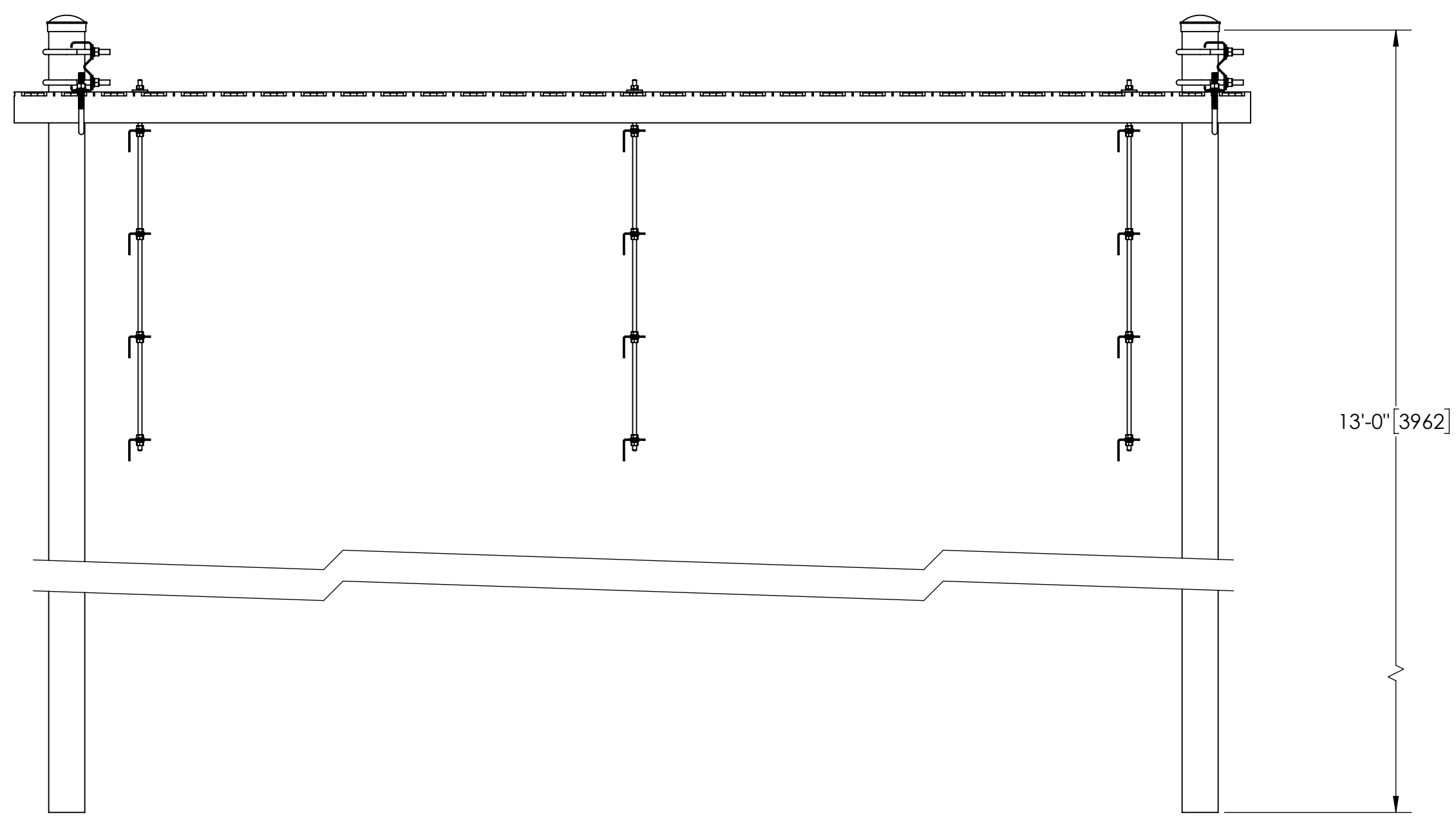
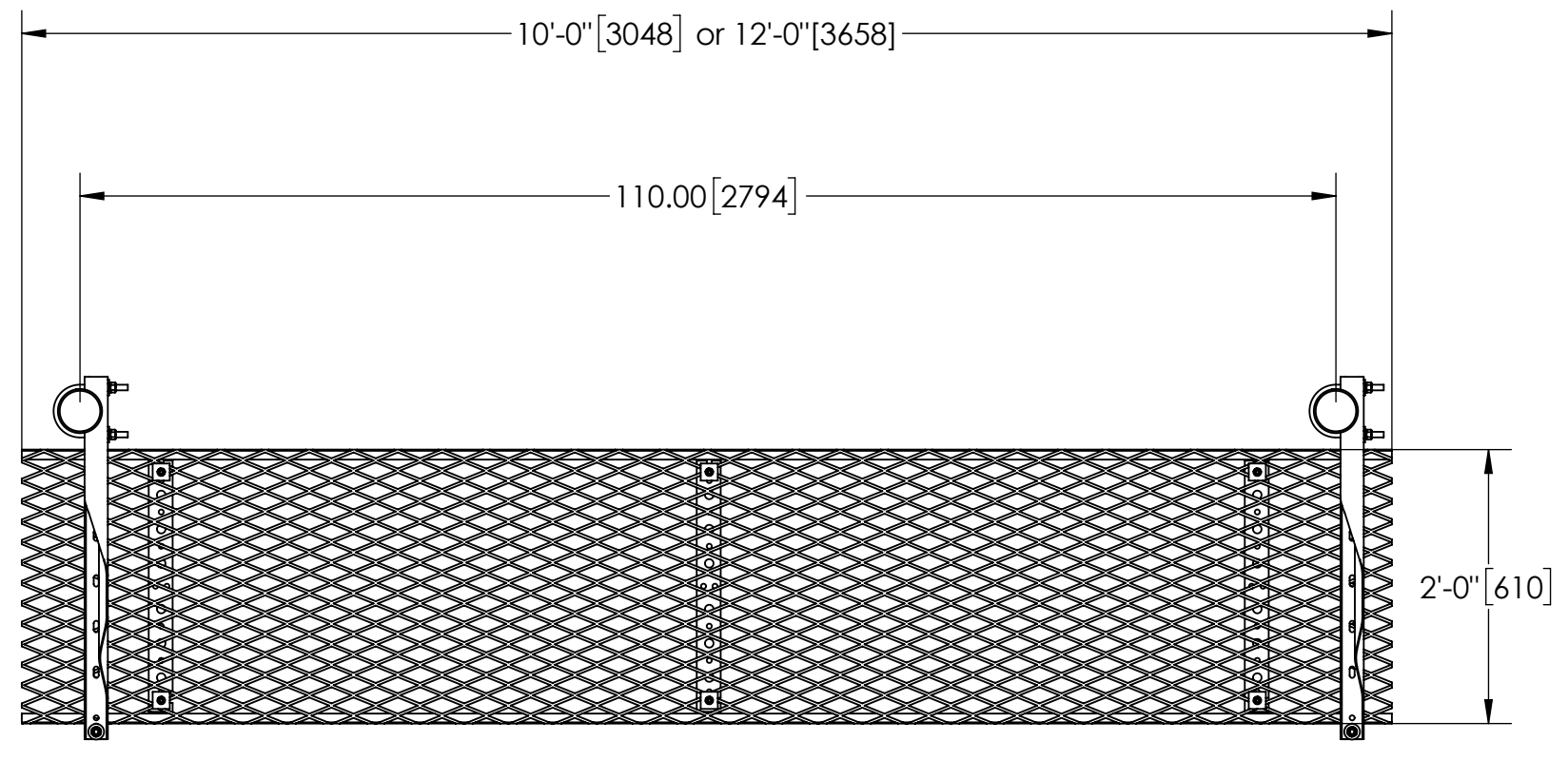
4

3

2

1


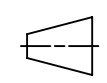
NOTES:



COMMSCOPE, INC. OF NORTH CAROLINA

TITLE
CUSTOM WAVEGUIDE BRIDGE KIT

SIZE C	SCALE 1:40	DOCUMENT NO. MTC3703
------------------	----------------------	--------------------------------

 	DRAWING			SHEET 3 OF 4
	VERSION 04	STATUS RE	REVISION C	

© 2020 CommScope, Inc. Confidential

4

3

2

1

4

3

2

1

NOTES:

D

D

C

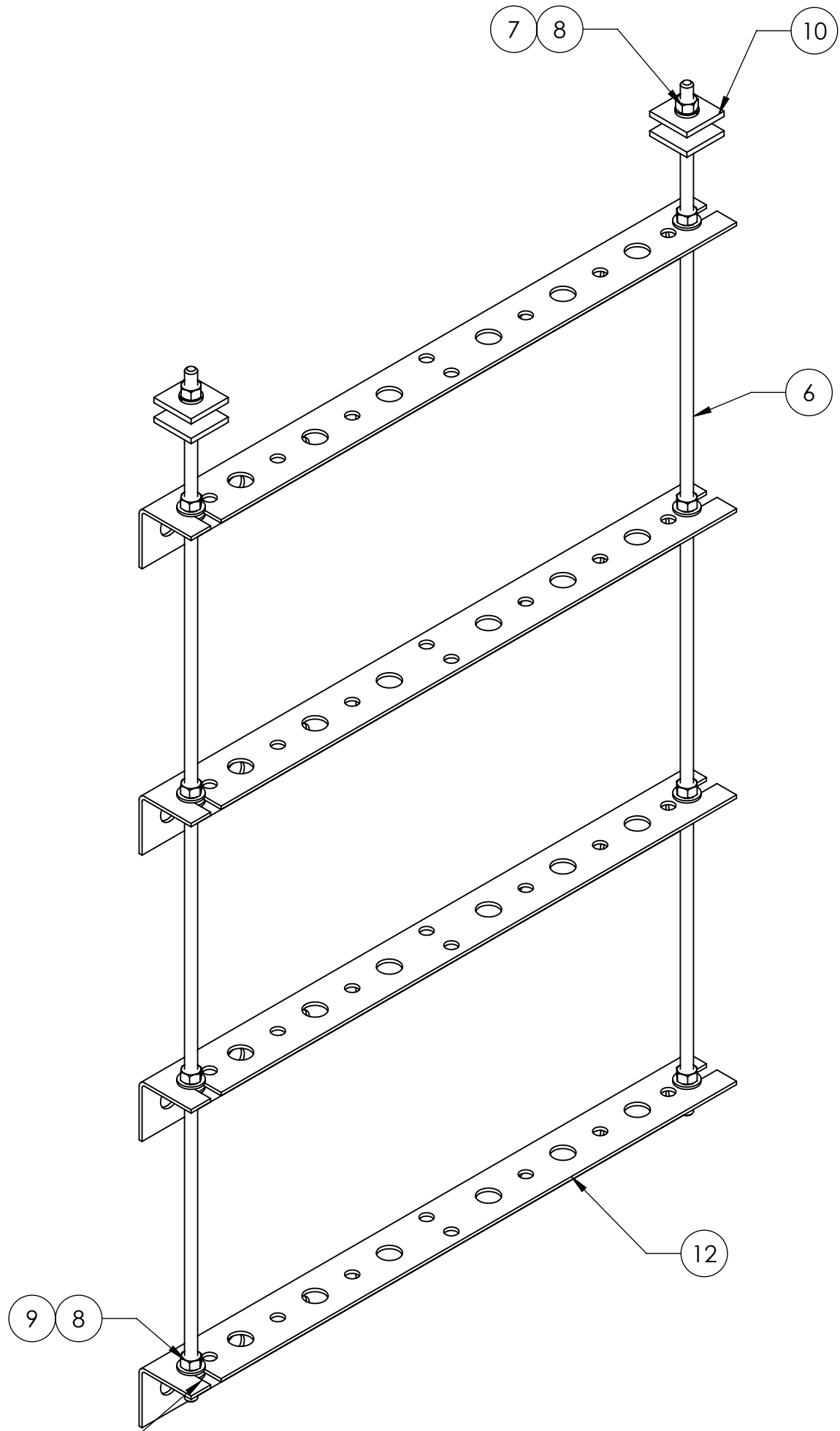
C

B

B

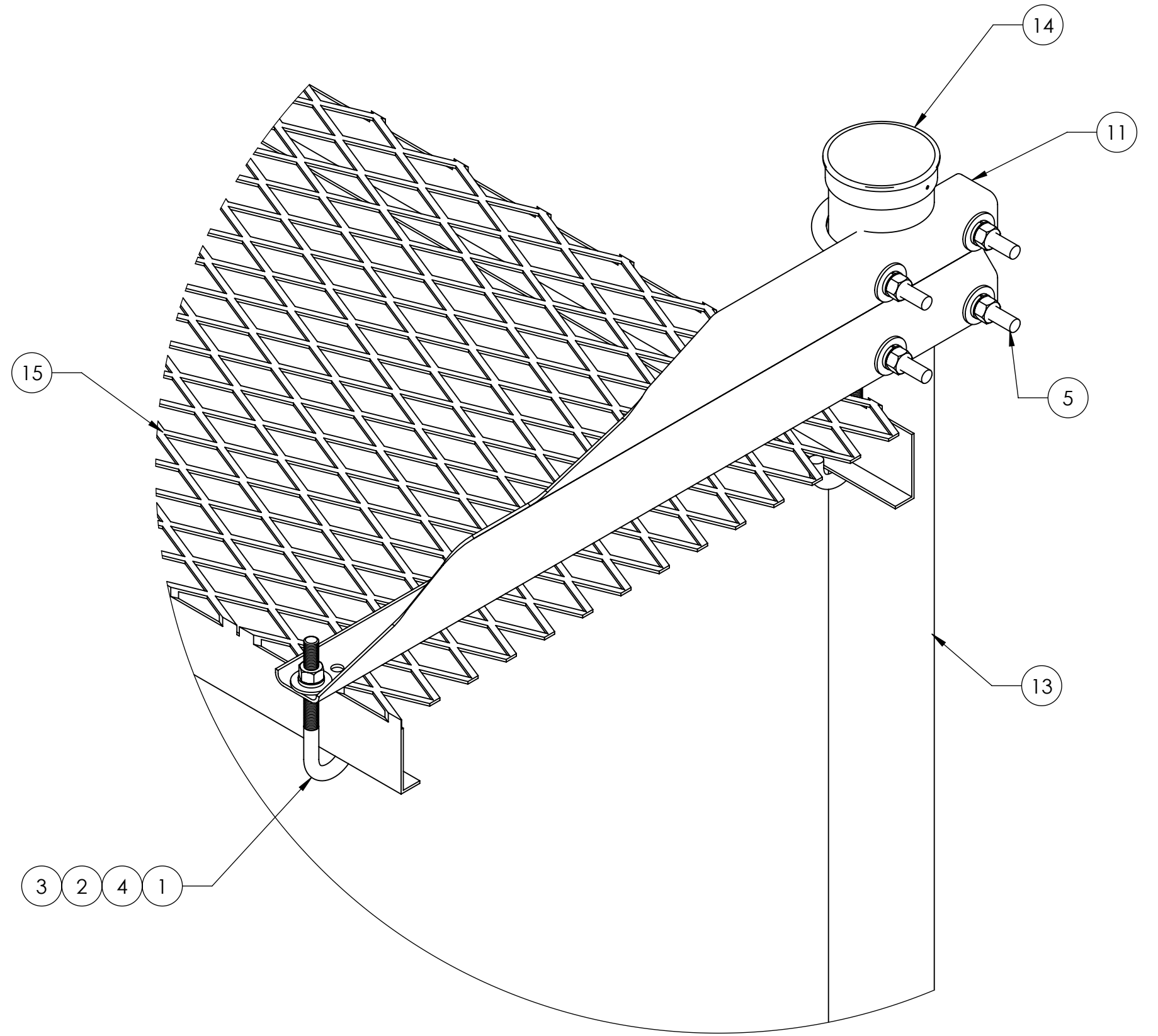
A

A



DETAIL A
SCALE 1 : 4

- 12
- 7
- 9



DETAIL B
SCALE 1 : 4

- 3
- 2
- 4
- 1

COMMSCOPE, INC. OF NORTH CAROLINA

TITLE
CUSTOM WAVEGUIDE BRIDGE KIT

SIZE C	SCALE 1:40	DOCUMENT NO. MTC3703
------------------	----------------------	--------------------------------

	DRAWING			SHEET 4 OF 4
	VERSION 04	STATUS RE	REVISION C	

© 2020 CommScope, Inc. Confidential

4

3

2

1