

PIM-GUARD[®] RADIUS CONTROL BRACKETS: SMART. CLEAN. PIM SAFE CABLE MANAGEMENT.

Engineered for PIM performance and built for the realities of modern deployments, PIM-Guard Radius Control Brackets deliver precise bend radius control, robust cable support, and seamless compatibility with the full PIM Guard ecosystem.

Key features

Purpose built radius control: Designed to securely support cables under antennas while maintaining proper bend radius to reduce stress and prevent performance degradation

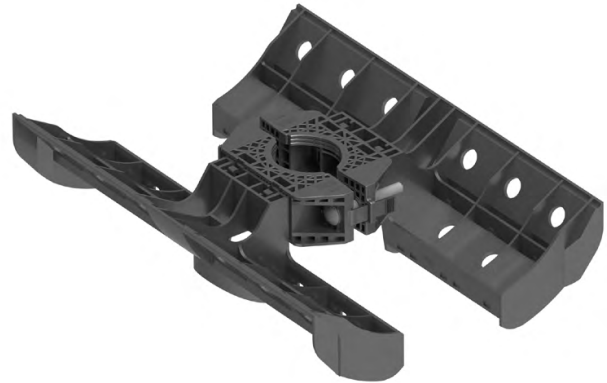
PIM mitigation by design: Tested for Passive Intermodulation (PIM) performance as part of the trusted PIM-Guard family

Lease space friendly: Helps ensure jumper routing stays within site lease boundaries when properly installed

High capacity cable management: 10 cable positions, each supporting double stacked SnapTak[®] hangers for up to 20 cables per bracket

Optimized structural design: Double T structure for strength and stability combined with precisely curved geometry to control cable bend radius

Flexible cable routing: Cables can enter from multiple angles, enabling cleaner, more adaptable routing that simplifies installation



Ordering information

Part Number	Description
PGP-RC-10	PIM-Guard Radius Control Bracket for antenna and RRU cable support with 10 positions / 20 cables for SnapTak hangers (up to 2 per position). Includes PIM-Guard Pipe Clamp plus front & rear Radius Control Brackets.

Looking to learn more about how you can support your cell build?

Contact us: SteelProducts@andrew.com

ANDREW.COM Visit our website or contact your local ANDREW representative for more information.