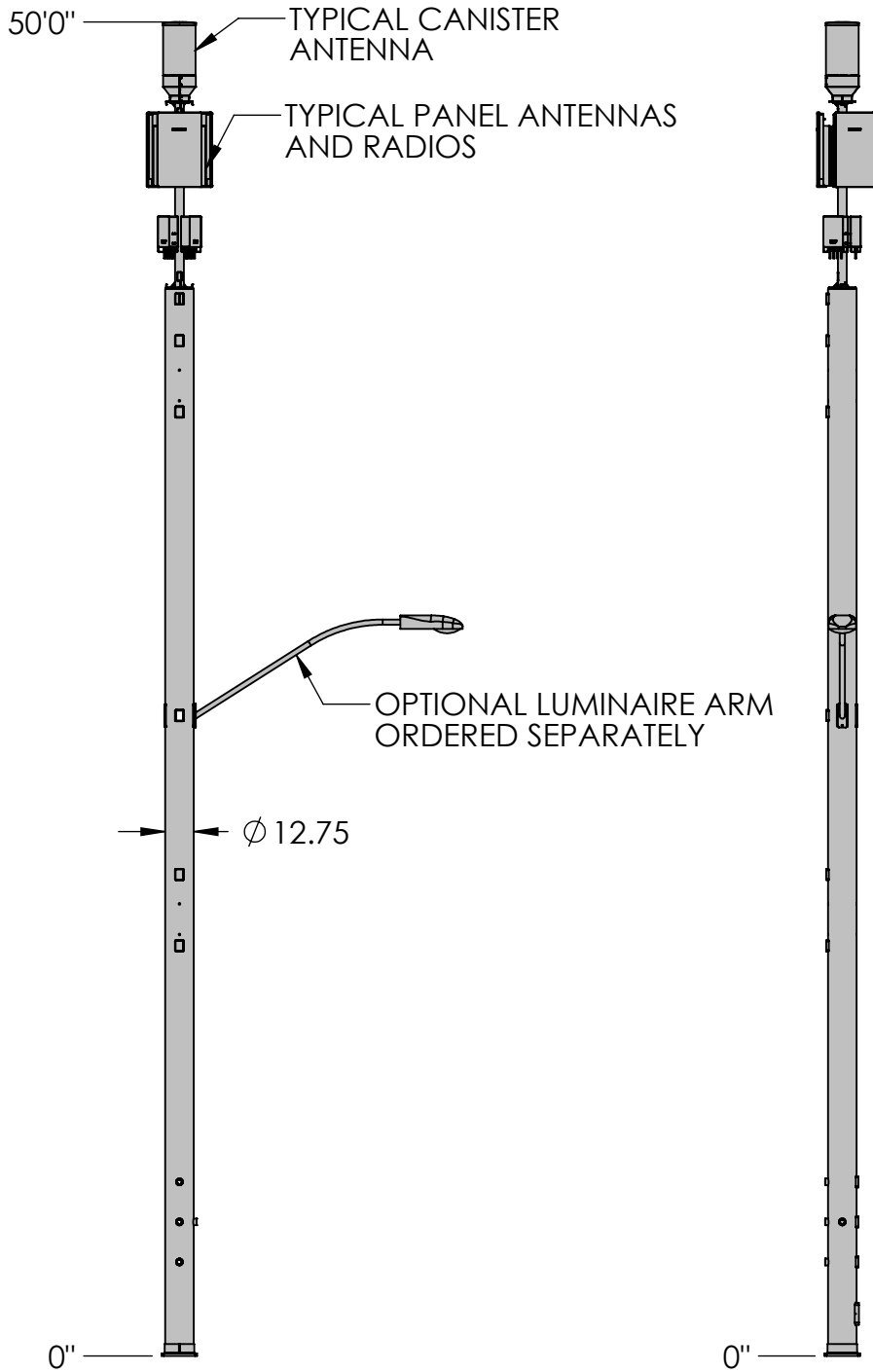


REVISIONS			
REV.	DESCRIPTION	DATE	APPROVED
A	INITIAL RELEASE	04/01/26	MJP



These drawings and specifications are the proprietary property of CommScope Inc. and may be used only for the specific purpose authorized in writing by CommScope Inc.

ALL DIMENSIONS ARE IN INCHES U.O.S.  
TOLERANCES UNLESS OTHERWISE SPECIFIED:

.X = ±	.12	ANGLES	±2°
.XX = ±	.06	FRACTIONS	±1/32
.XXX = ±	.031		

REMOVE BURRS AND BREAK EDGES .005

DO NOT SCALE THIS PRINT

DRAWN BY: MJP	SHEET: 1 of 2	PART NUMBER: 760263224 Series Mid Cell Solution
CHECKED BY:	SCALE:	DESCRIPTION:
DATE:	MATERIAL:	DRAWING TYPE:
REVISION: A	FINISH:	
	WEIGHT:	

50'0"

TYPICAL PANEL ANTENNAS

TYPICAL WIRELESS EQUIPMENT

OPTIONAL LUMINAIRE ARM ORDERED SEPARATELY

Ø 12.75

0"

0"

D

D

C

C

B

B

A

A

These drawings and specifications are the proprietary property of CommScope Inc. and may be used only for the specific purpose authorized in writing by CommScope Inc.

DRAWN BY:

MJP

SHEET:

2 of 2

PART NUMBER:

760263224 Series Mid Cell Solution-2

CHECKED BY:

SCALE:

DESCRIPTION:

DATE:

MATERIAL:

DRAWING TYPE:

REVISION:

A

FINISH:

WEIGHT:



ANDREW an Amphenol company

ALL DIMENSIONS ARE IN INCHES U.O.S. TOLERANCES UNLESS OTHERWISE SPECIFIED:

.X = ± .12 ANGLES ±2°  
.XX = ± .06 FRACTIONS ±1/32  
.XXX = ± .031

REMOVE BURRS AND BREAK EDGES .005

DO NOT SCALE THIS PRINT

4

1

3

↑

2

1

1