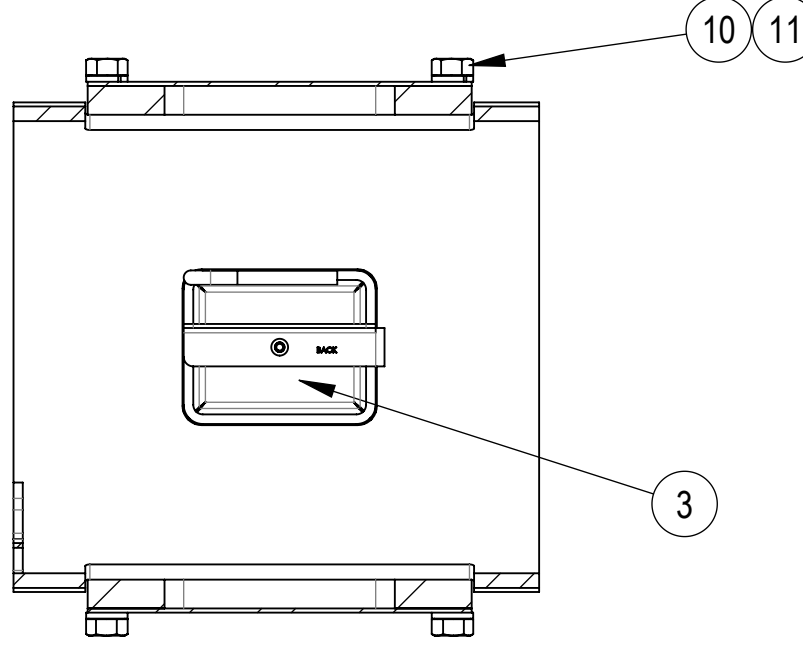
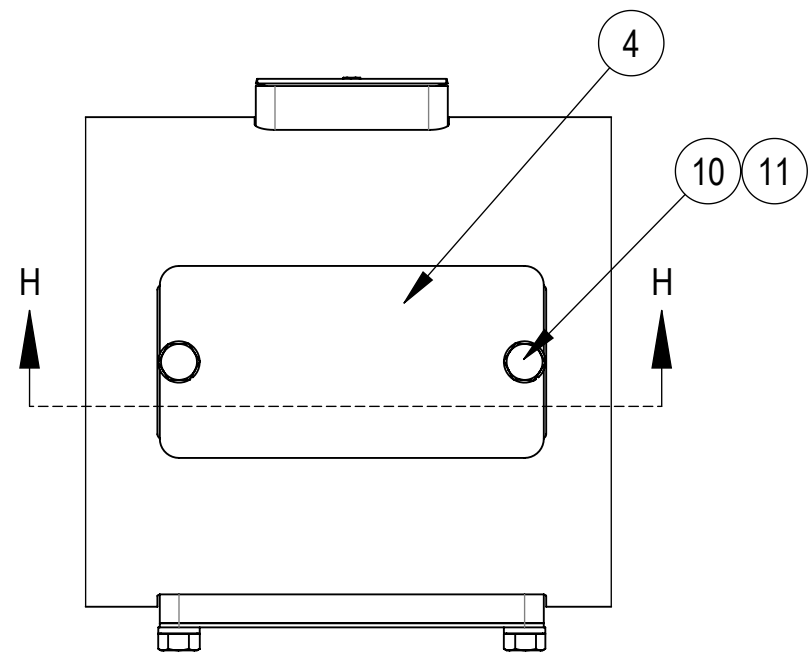
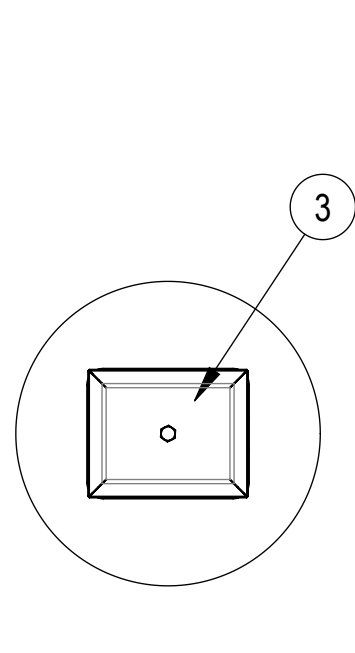
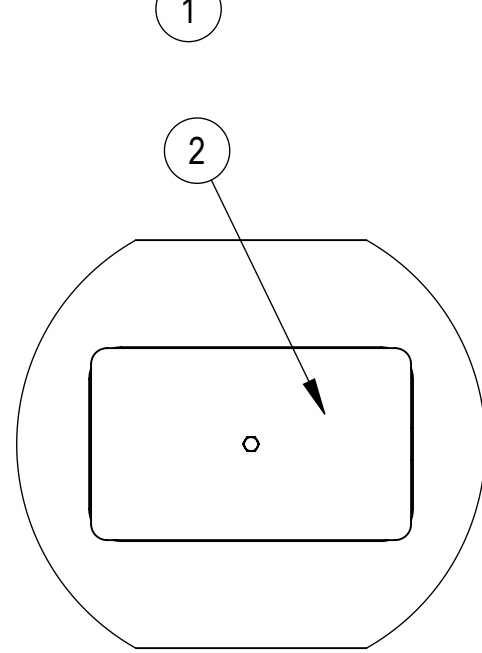
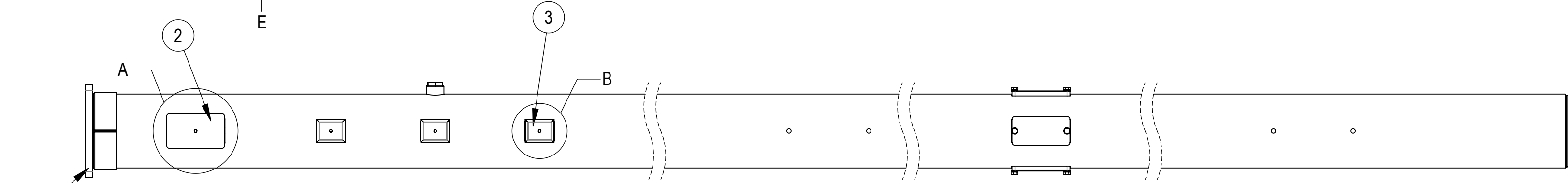
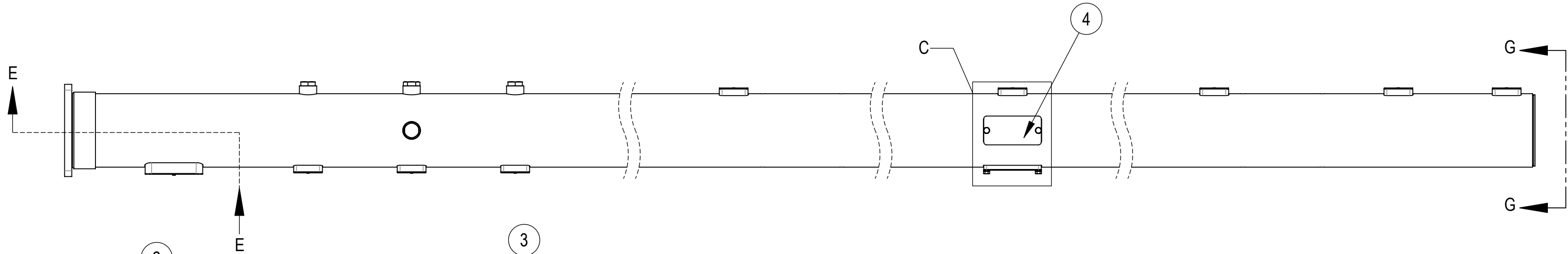
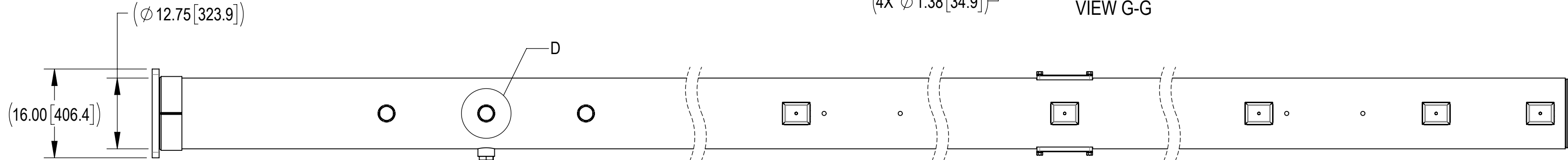
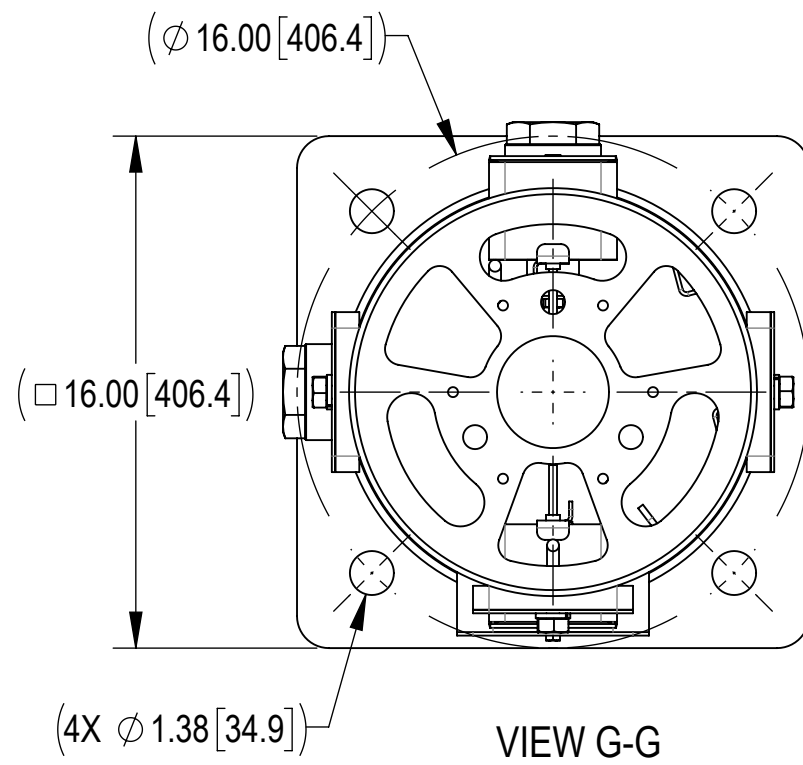
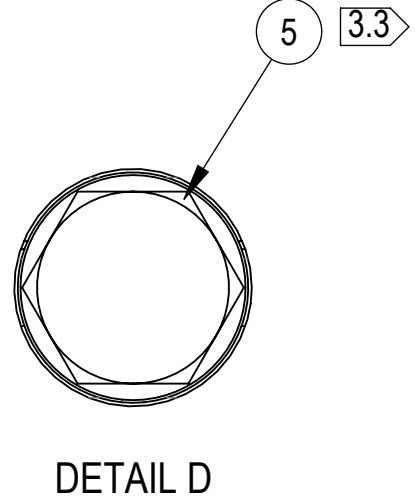


- 1.0 GENERAL NOTES
 - 1.1 ALL METRIC DIMENSIONS ARE IN BRACKETS [X.X]
 - 1.2 FEATURES CRITICAL TO QUALITY ARE INDICATED IN ROUNDED BOX (XX)
 - 1.3 3D DIGITAL FILES ARE FOR REFERENCE. IN CASE OF CONFLICT FOLLOW PDF DRAWING.
 - 1.4 YY DENOTES LENGTH, XX DENOTES FINISH. SEE NOTE 3.1, TABLE 1
- 2.0 DESIGN NOTES
- 3.0 MANUFACTURING/SPECIAL REQUIREMENTS
 - 3.1 FINISH : -XX OR -X SUFFIX ON PRODUCT PART NUMBER REPRESENTS SPECIFIC COLOR AND/OR FINISH. REFER TO METROCELL PRODUCT COLOR/FINISH SPECIFICATION MTM1004 FOR SPECIFIC REQUIREMENTS
 - 3.2 DRAWING IS FOR MULTIPLE CONFIGURATIONS. SEE TABLE 1 FOR SPECIFIC LENGTH/COLOR CONFIGURATIONS
 - 3.3 APPLY ANTI-SEIZE TO ITEM 5 PRIOR TO INSTALLATION
 - 3.4 PAINT EXPOSED PART OF PIPE PLUG TO MATCH POLE COLOR
- 4.0 TEST
- 5.0 PACKAGING
 - 5.1 PACKAGING SHALL MEET COMMSCOPE REQUIREMENTS PER DOCUMENT IS-PL-3005

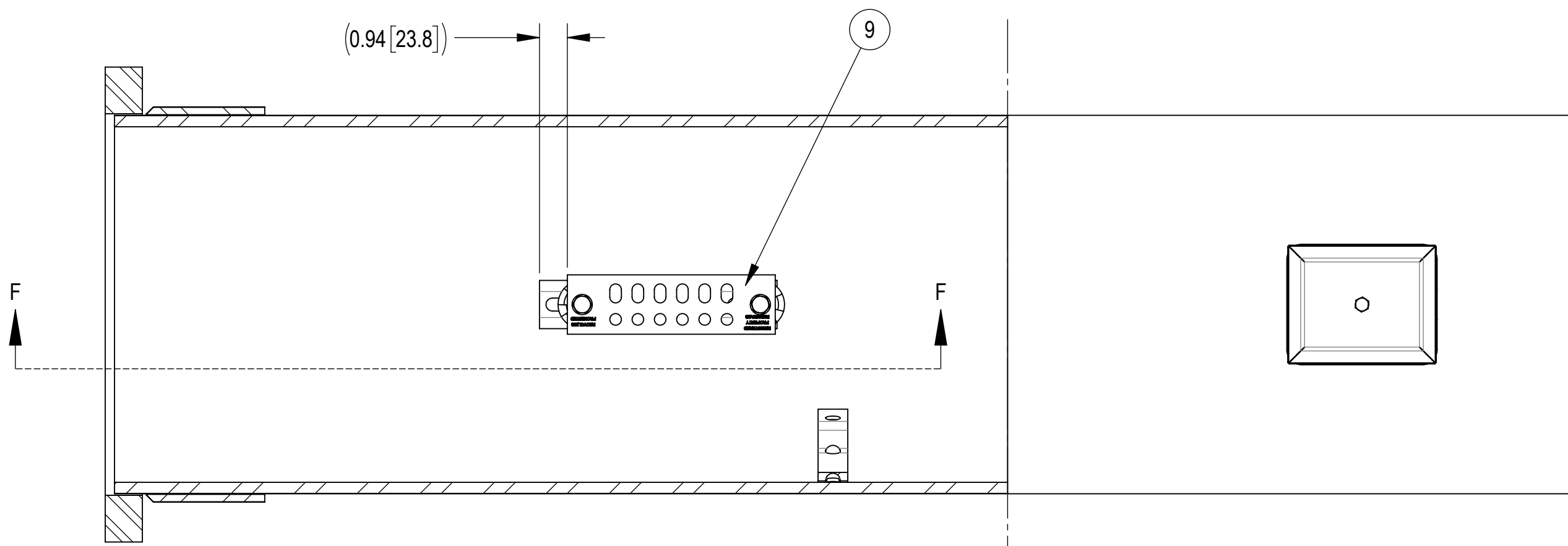
REVISIONS			
REV.	DESCRIPTION	DATE	APPROVED
A	INITIAL RELEASE	MS1288 12DEC24	LX1002 40210375CMO



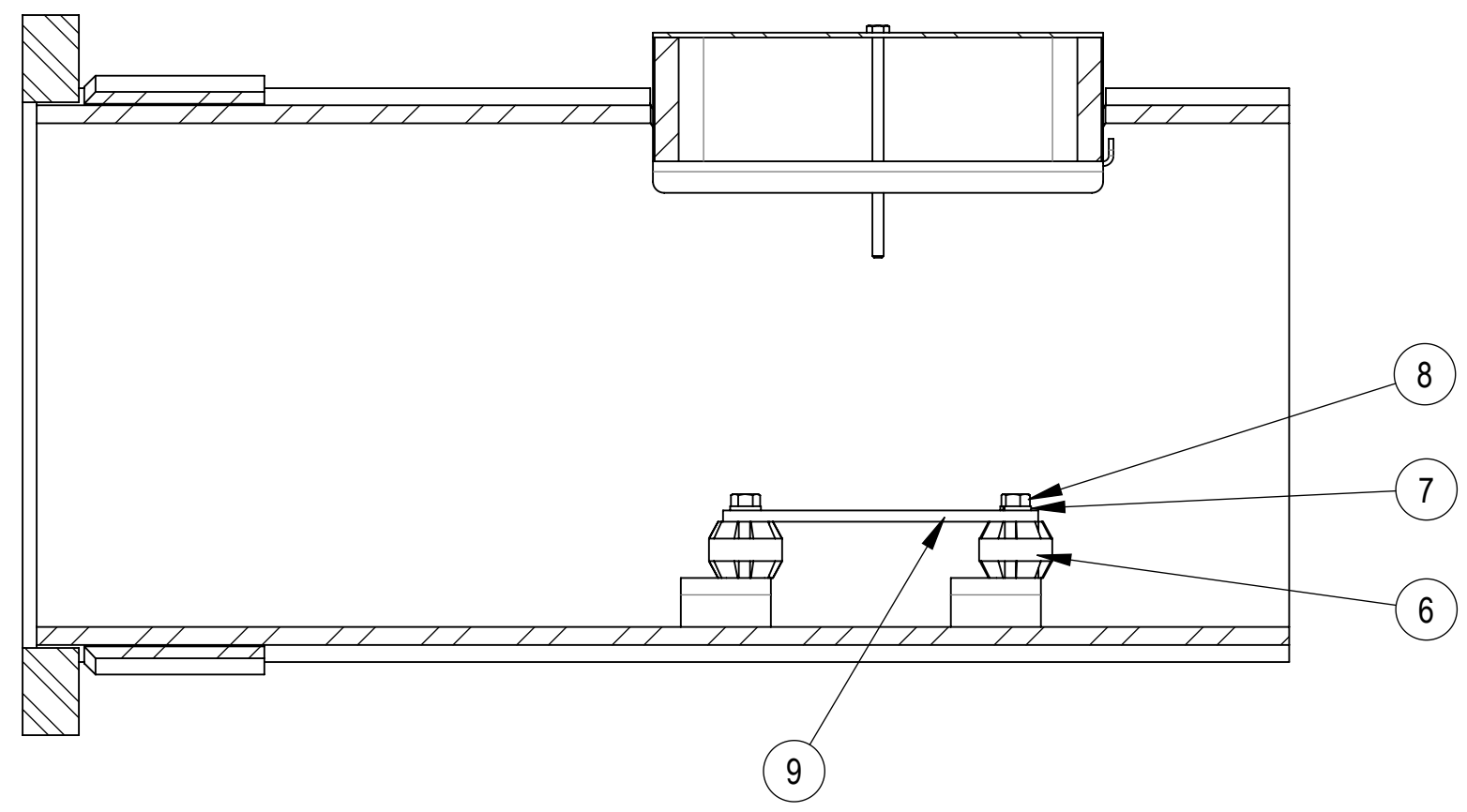
COMMSCOPE, INC. OF NORTH CAROLINA									
TOLERANCES					SAP MATERIAL MASTER				
1 PLACE .X[X] ± 0.2[6.3]			3 PLACE .XXX[X] ± 0.060[1.5]		MTM1211-70YY-XX				
2 PLACE .XX[X] ± 0.12[3.0]			ANGLES ± 2°		MATERIAL SEE SEPERATE BILLS OF MATERIAL				
FINISH					MATERIAL SEE SEPERATE BILLS OF MATERIAL				
UNLESS OTHERWISE SPECIFIED DIMENSIONS ARE IN INCHES INTERPRET PER ANSI Y 14.5M-1994	NAME	DATE	TITLE						
	CE MS1288	12DEC24	POLE ASSY, 12.75"OD X 40', HD						
	RW MS1288	01/21/2025							
	AD LX1002	01/21/2025							
	RE DM1121	01/25/2025							
ECN 40210375CMO									
SCALE	DOCUMENT NO.								
1:64	MTM1211-70YY-XX								
SIZE	Auth Group	INSL	MODEL			DRAWING			
C			VERSION	STATUS	REVISION	VERSION	STATUS	REVISION	SHEET
			00	RE	A	00	RE	A	1 OF 2

TABLE 1 POLE ASSEMBLY							
POLE ASSEMBLY MID_P/N	POLE ASSEMBLY SAP DESCRIPTION	WGHT (LBS)	ITEM 1 WELDMENT MID_P/N	ITEM 3 QTY	ITEM 4 QTY LUM PLATES	ITEM 10 QTY	ITEM 11 QTY
MTM1211-7040-XX	POLE ASSY, 12.75"OD X 40', HD	2073.80	MTM1211-7440-XX	9	3	6	6


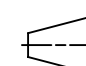
© 2024 CommScope, Inc. Confidential



SECTION E-E



SECTION F-F

COMMSCOPE, INC. OF NORTH CAROLINA				
TITLE POLE ASSY, 12.75"OD X 40', HD				
SIZE C	SCALE 1:64	DOCUMENT NO. MTM1211-70YY-XX		
 		DRAWING		SHEET 2 OF 2
		VERSION 00	STATUS RE	

© 2024 CommScope, Inc. Confidential