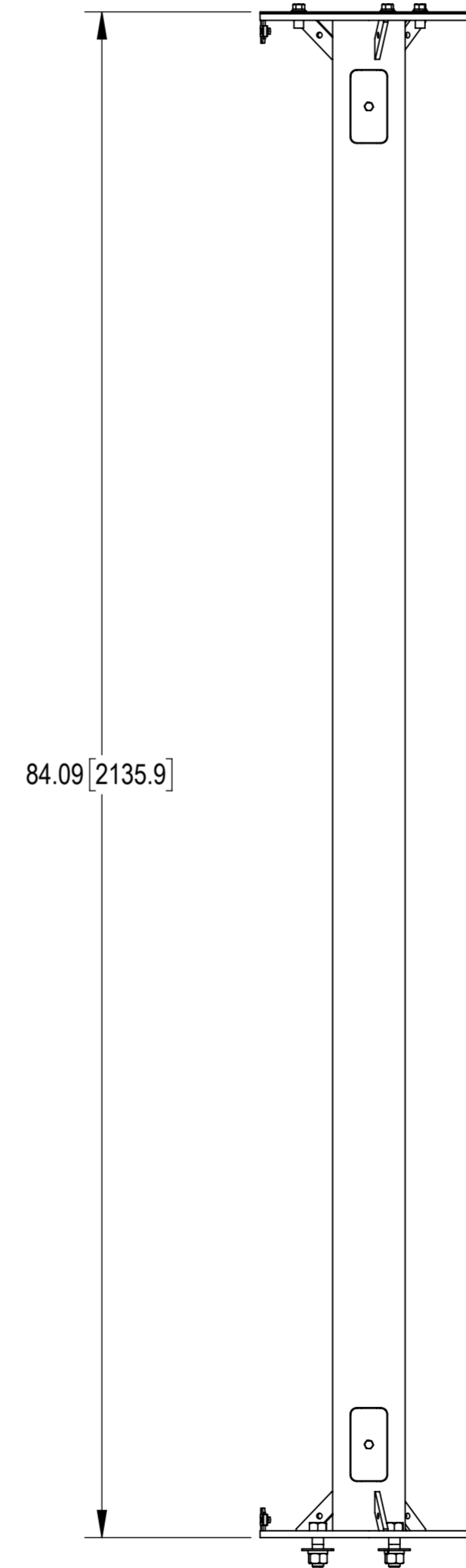
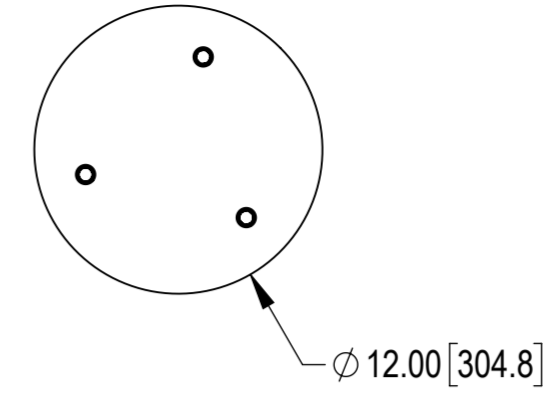
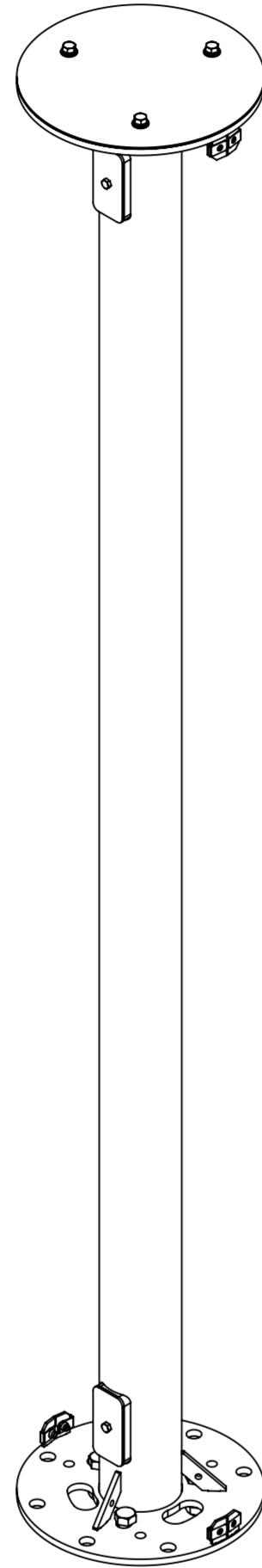


# Installation Instructions



## 860685489-XX-INSTALL INSTALLATION INSTRUCTION

### MID CELL, SPOOL, 4" DIA, 7' TALL, INSTALL



REVISIONS			
REV.	DESCRIPTION	DATE	APPROVED
A	INITIAL RELEASE	ZL1057 20OCT25	WQ1001 50105036AMO

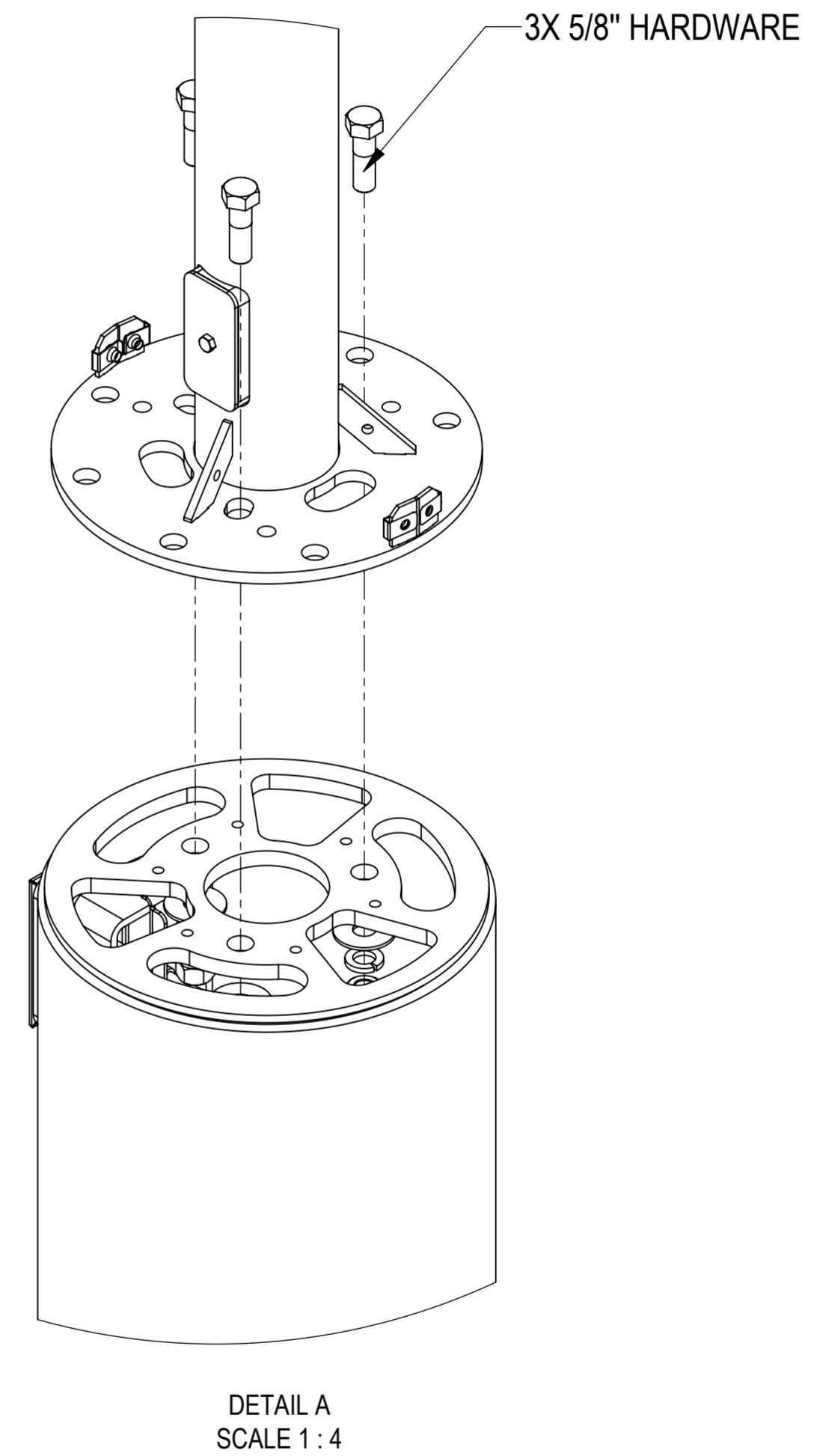
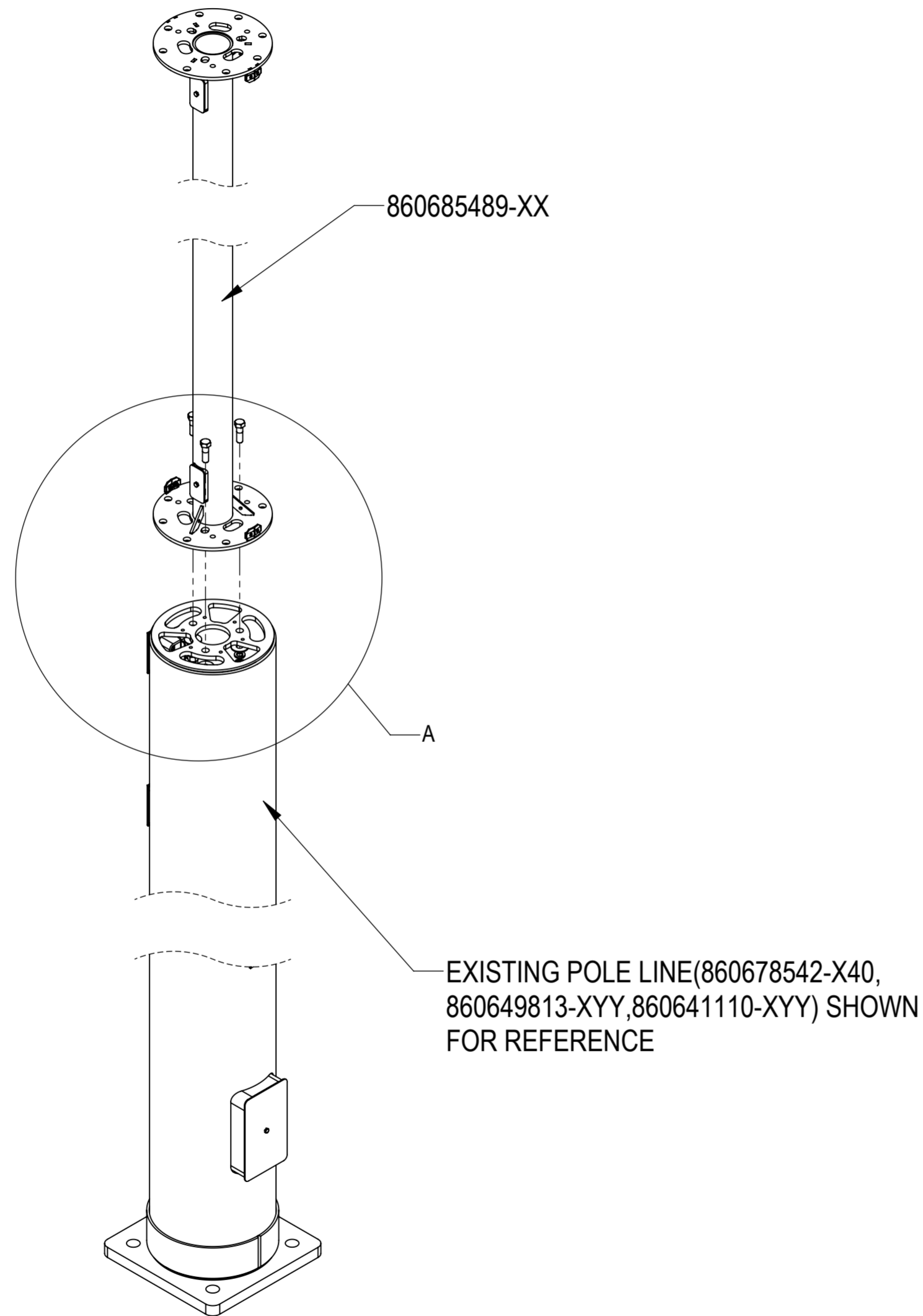
This table show the evolution and history of document from initial to current version.

Further information regarding ANDREW's commitment can be found at <https://www.andrew.com/sustainability/>.  
 Visit our website or contact your local ANDREW representative for more information.  
 This product is covered by one or more U.S. patents or their foreign equivalents. For patents, see [www.adwpat.com](http://www.adwpat.com).

# Installation Instructions

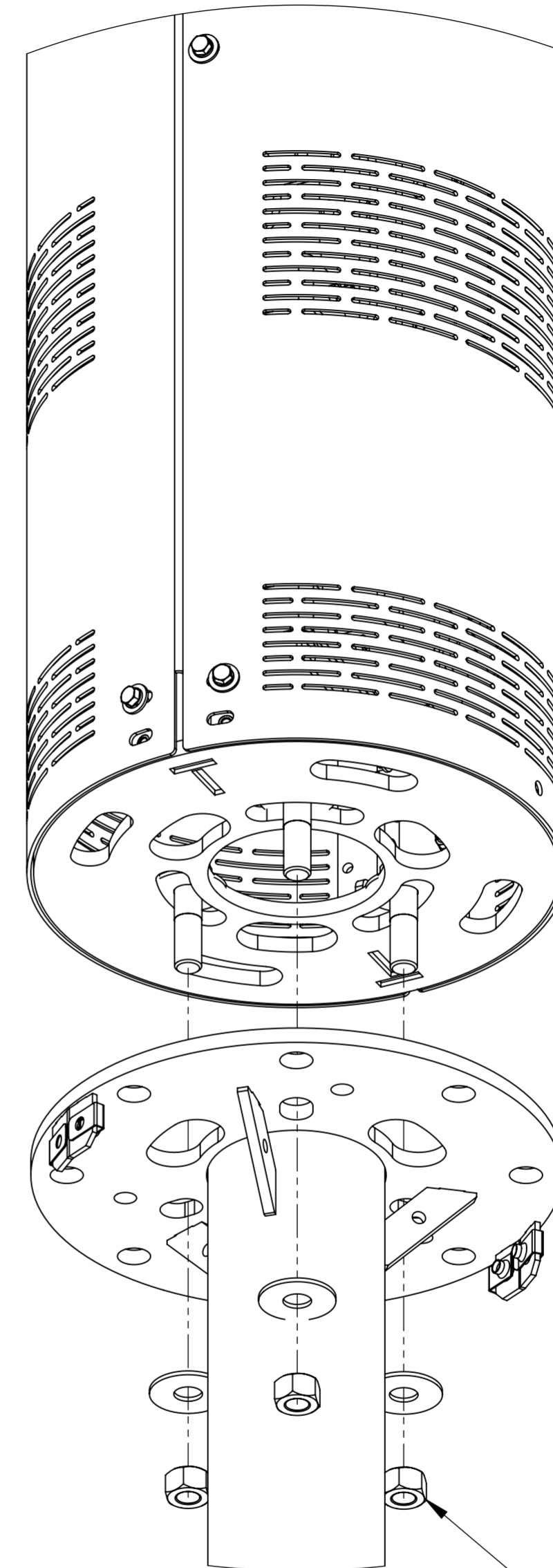
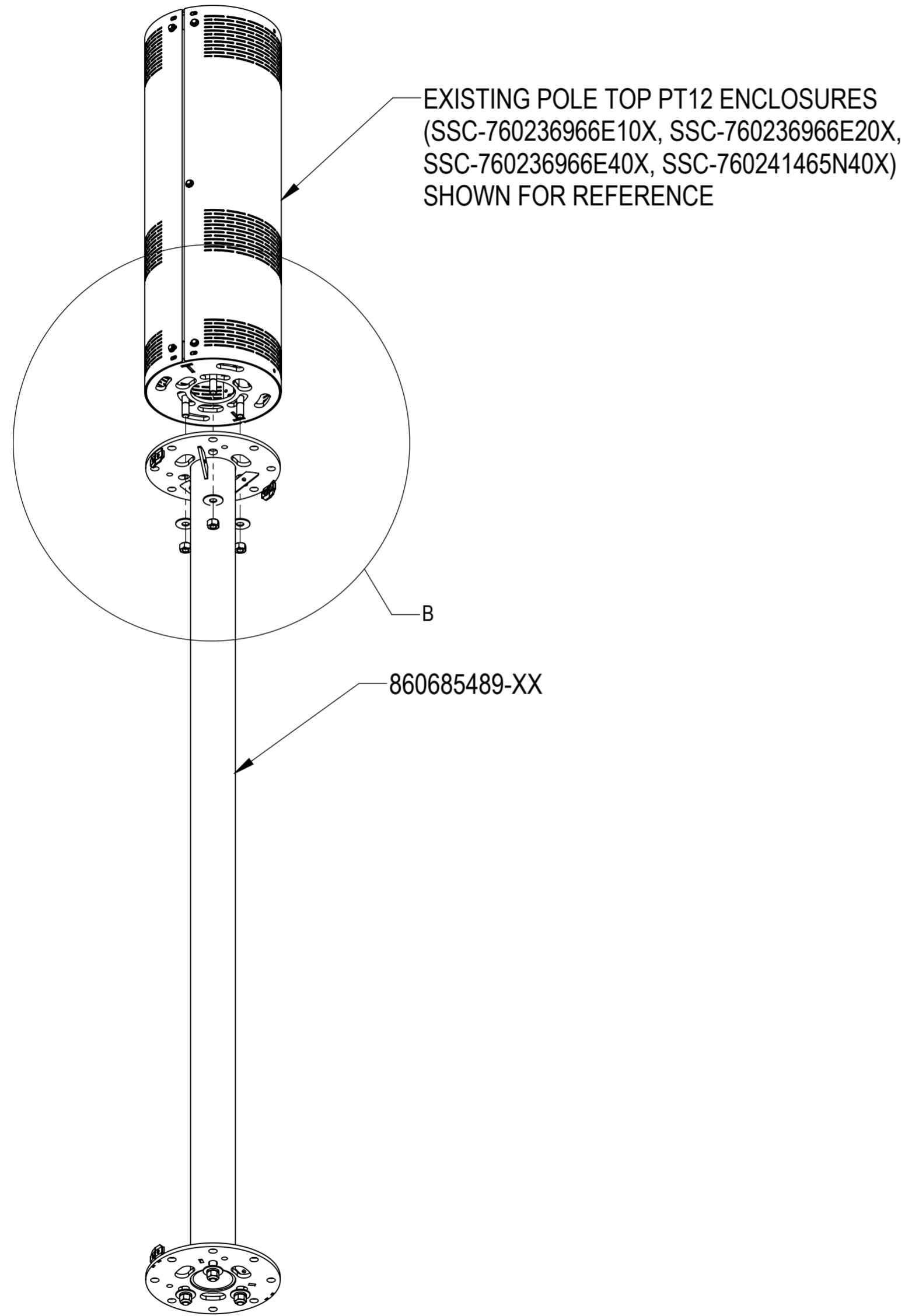


- 1.0 GENERAL NOTES
  - 1.1 ALL METRIC DIMENSIONS ARE IN BRACKETS [X.X]
- 2.0 DESIGN NOTES
- 3.0 MANUFACTURING/SPECIAL REQUIREMENTS
  - 3.1 TIGHTEN HARDWARE, TORQUE VALUE ARE SHOWN BELOW AS REFERENCE,
    - M6: TORQUE 40.0 IN-LB OR 4.5 N-M (W/ CLIP NUT)
    - M6: TORQUE 46.0 IN-LB OR 5.2 N-M (W/ THREADED CAST AL)
    - M6: TORQUE 75.0 IN-LB OR 8.5 N-M (W/ STEEL NUT)
    - M8: TORQUE 6.6 FT-LB OR 9.0 N-M (W/ THREADED CAST AL)
    - 1/4-20: TORQUE 4.8 FT-LB OR 6.6 N-M
    - 3/8-16: TORQUE 19.6 FT-LB OR 26.6 N-M



INSTALL POLE LINE TO THE SPOOL 860685489-XX USING 3 SETS OF 5/8" HEX BOLTS, LOCK WASHERS AND NUTS AS SHOWN

# Installation Instructions

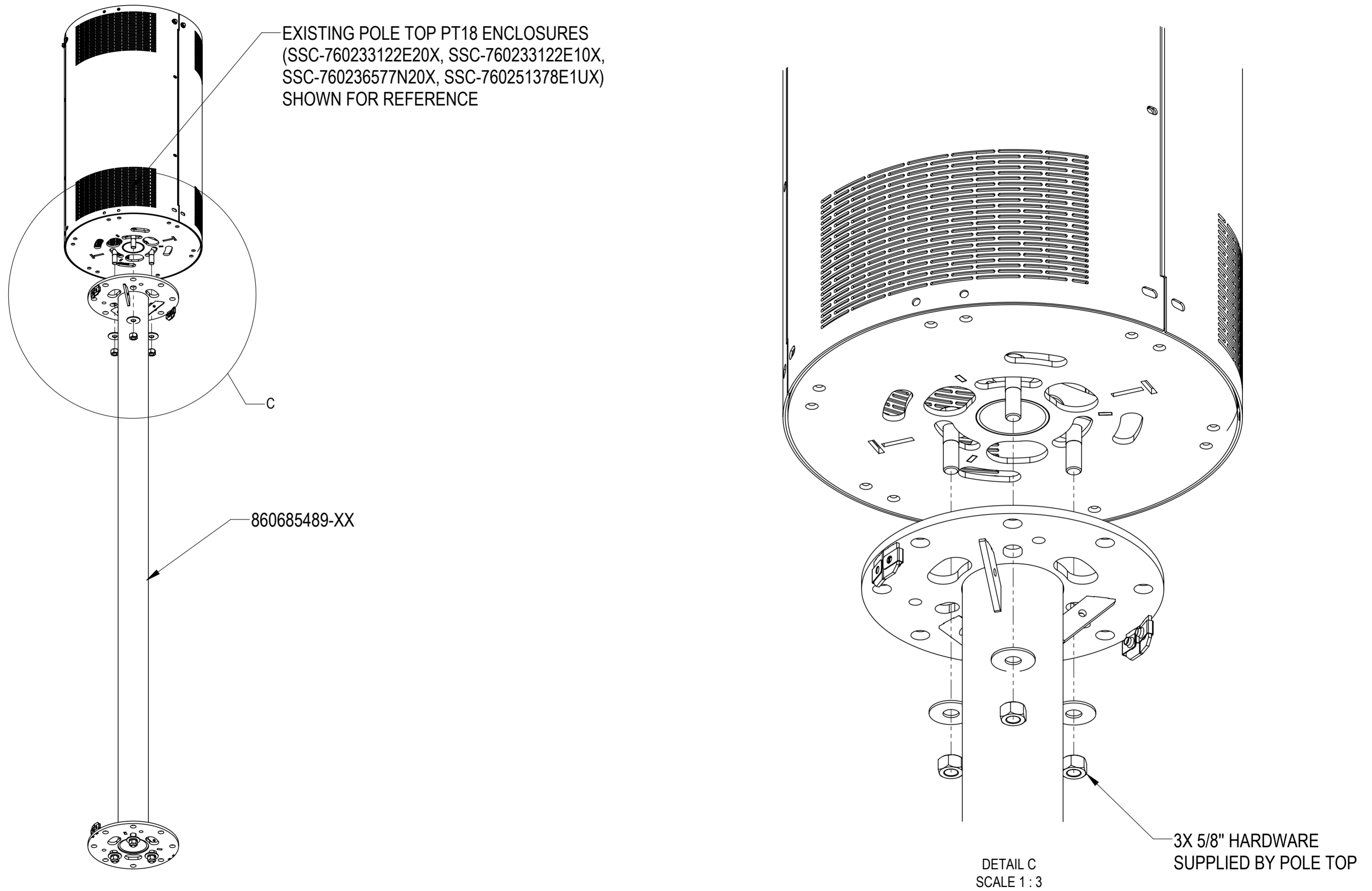


DETAIL B  
SCALE 1 : 3

3X 5/8" HARDWARE  
SUPPLIED BY POLE TOP

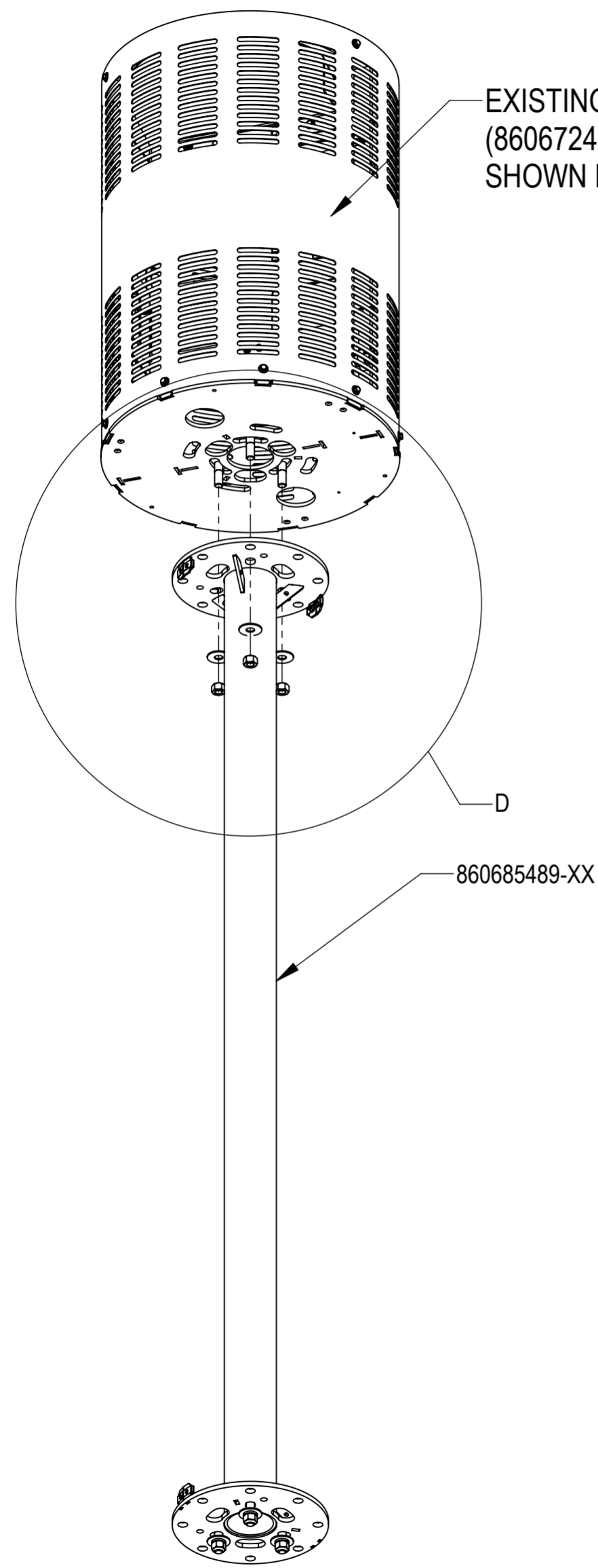
REMOVE TOP CAP MTM1225-2000-XX AND INSTALL POLE TOP PT12 ENCLOSURES TO THE SPOOL 860685489-XX USING 3 SETS OF 5/8" HEX BOLTS, LOCK WASHERS AND NUTS AS SHOWN

# Installation Instructions



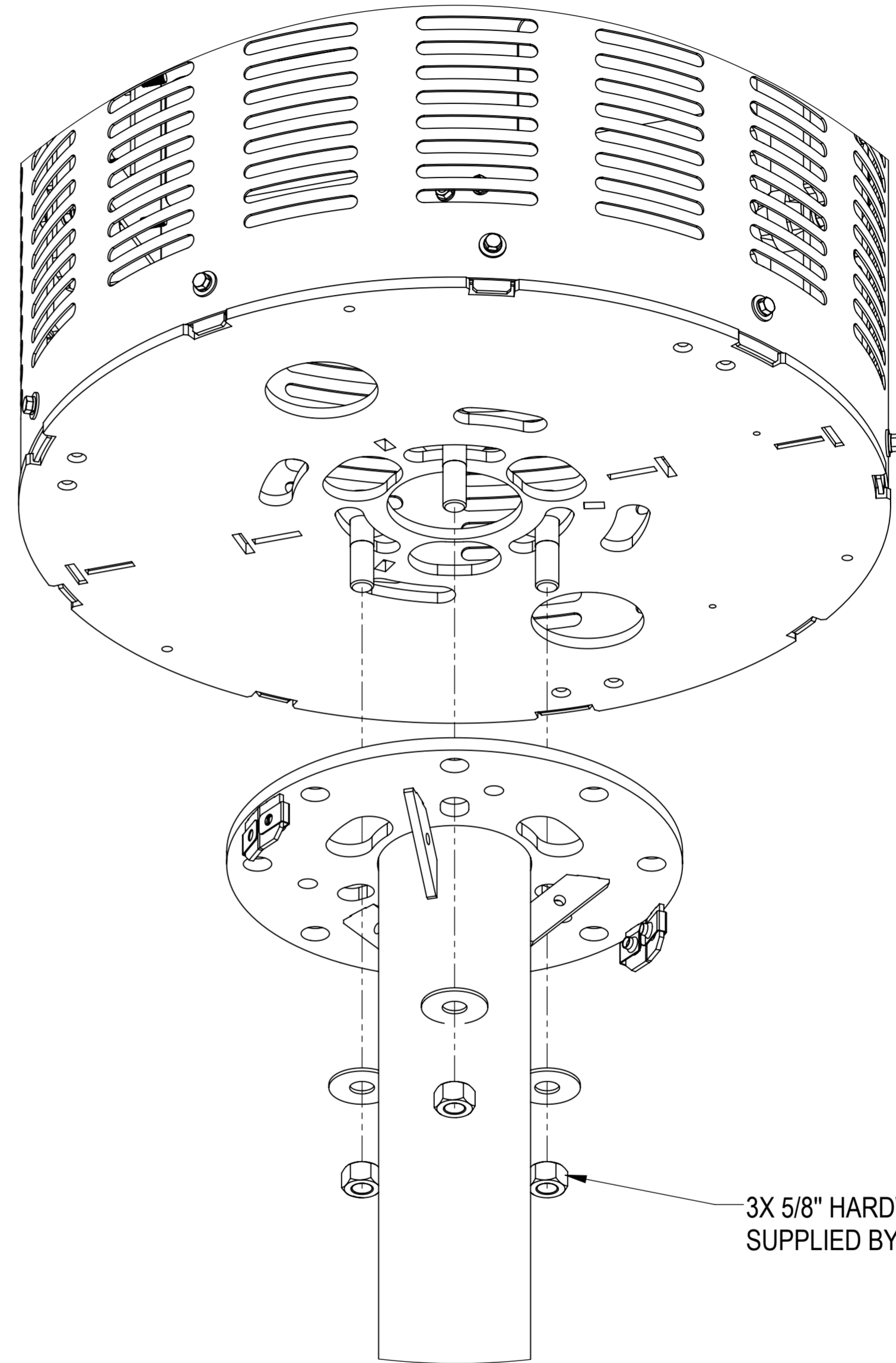
REMOVE TOP CAP MTM1225-2000-XX AND INSTALL POLE TOP PT18 ENCLOSURES TO THE SPOOL 860685489-XX USING 3 SETS OF 5/8" HEX BOLTS, LOCK WASHERS AND NUTS AS SHOWN

# Installation Instructions



EXISTING POLE TOP PT22 ENCLOSURES  
(860672429-001-XX, 860682997-XX, 860670696-002-XX)  
SHOWN FOR REFERENCE

860685489-XX

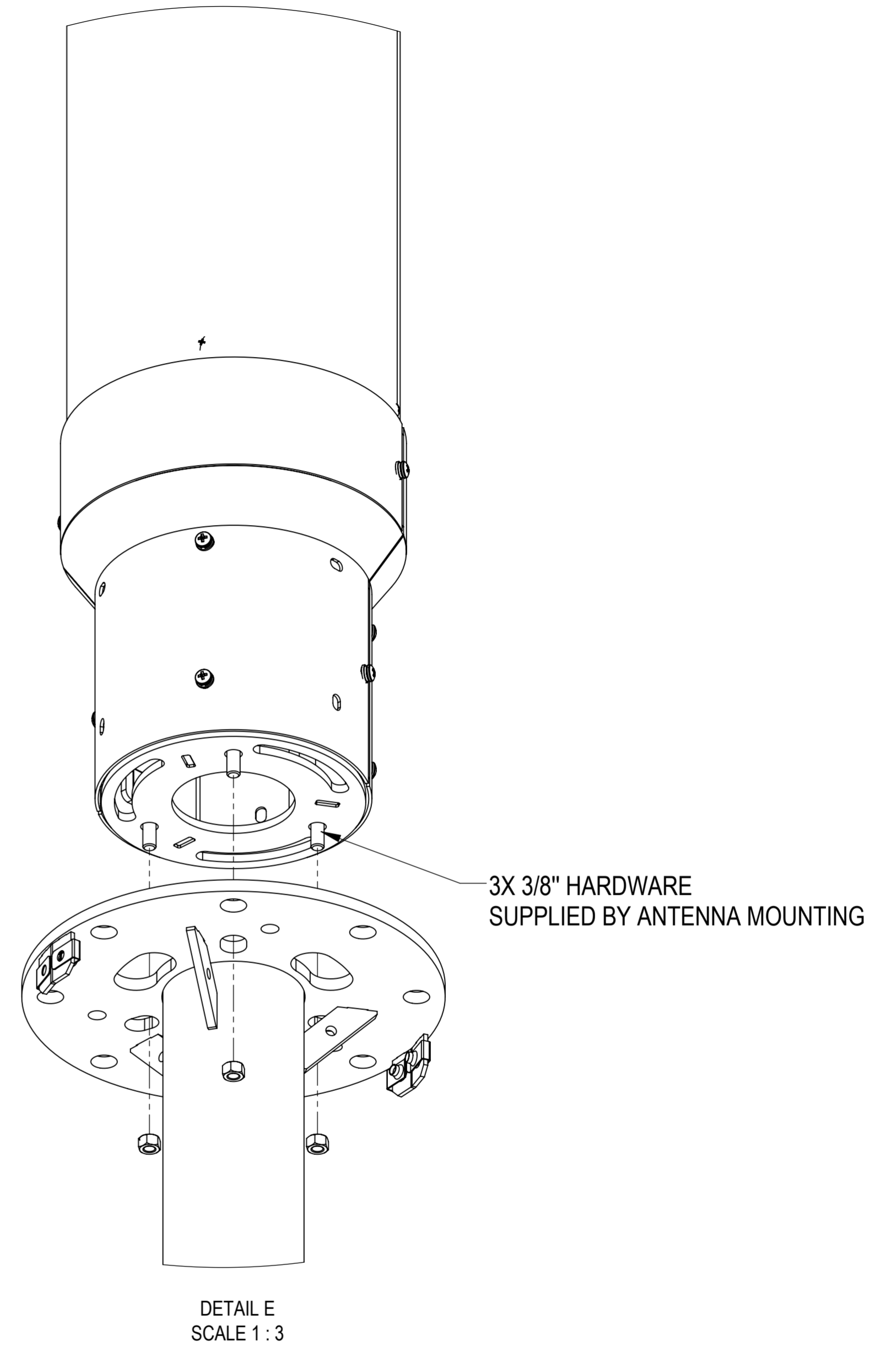
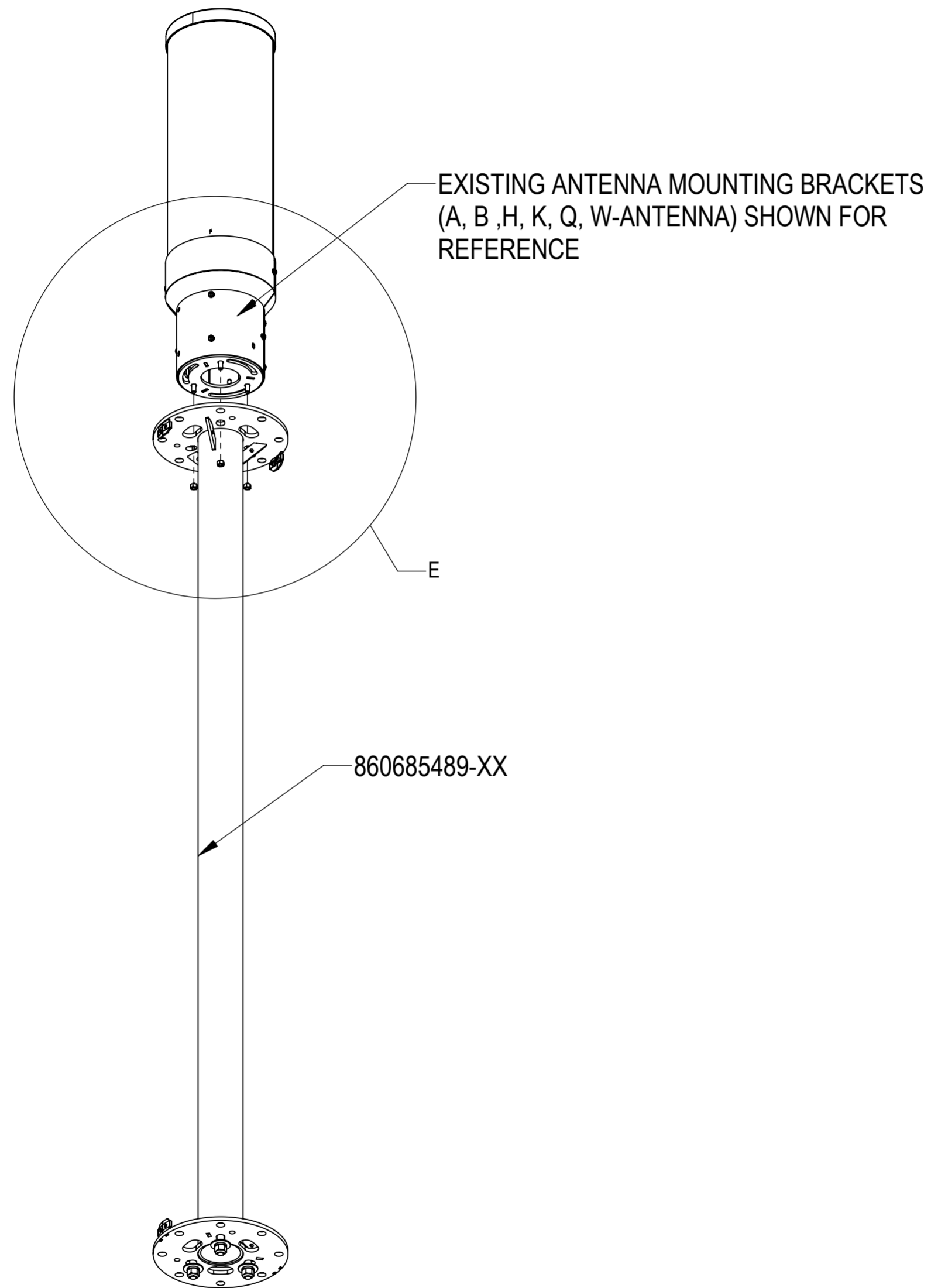


3X 5/8" HARDWARE  
SUPPLIED BY POLE TOP

DETAIL D  
SCALE 1 : 3

REMOVE TOP CAP MTM1225-2000-XX AND INSTALL POLE TOP PT22  
ENCLOSURES TO THE SPOOL 860685489-XX USING 3 SETS OF 5/8"  
HEX BOLTS, LOCK WASHERS AND NUTS AS SHOWN

# Installation Instructions



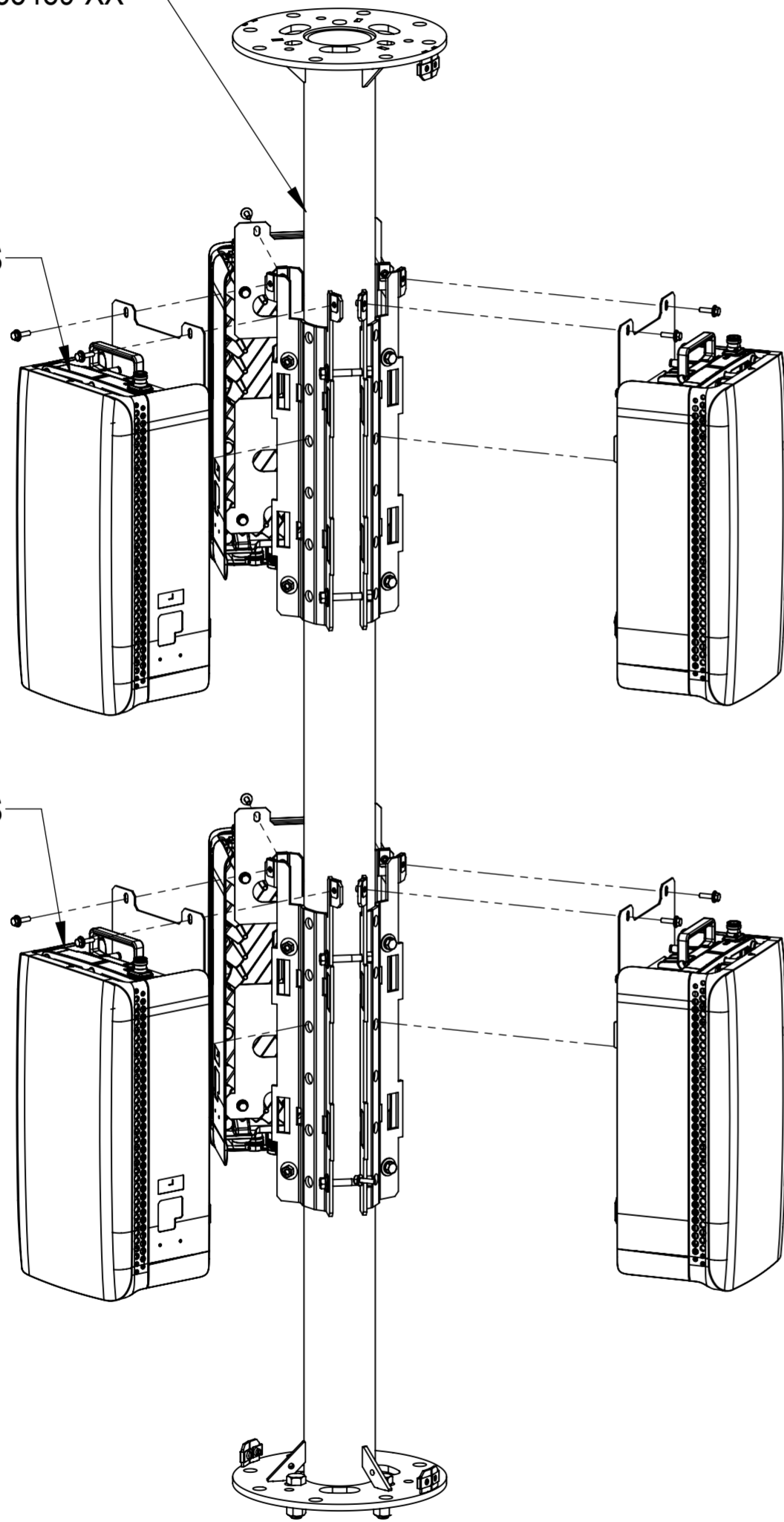
REMOVE TOP CAP MTM1225-2000-XX AND INSTALL ANTENNA MOUNTING BRACKET TO THE SPOOL 860685489-XX USING 3 SETS OF 3/8" HEX BOLTS, LOCK WASHERS AND NUTS AS SHOWN

# Installation Instructions



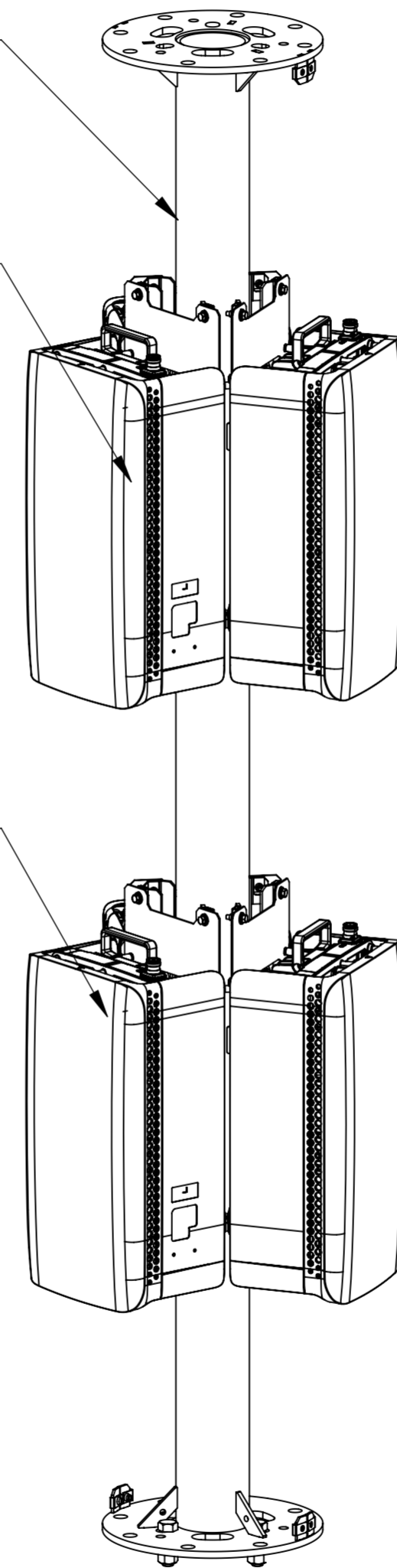
860685489-XX

ANTENNA INTEGRATED RADIOS SHOWN FOR REFERENCE



860685489-XX

ANTENNA INTEGRATED RADIOS SHOWN FOR REFERENCE



(84.00 [2133.6])

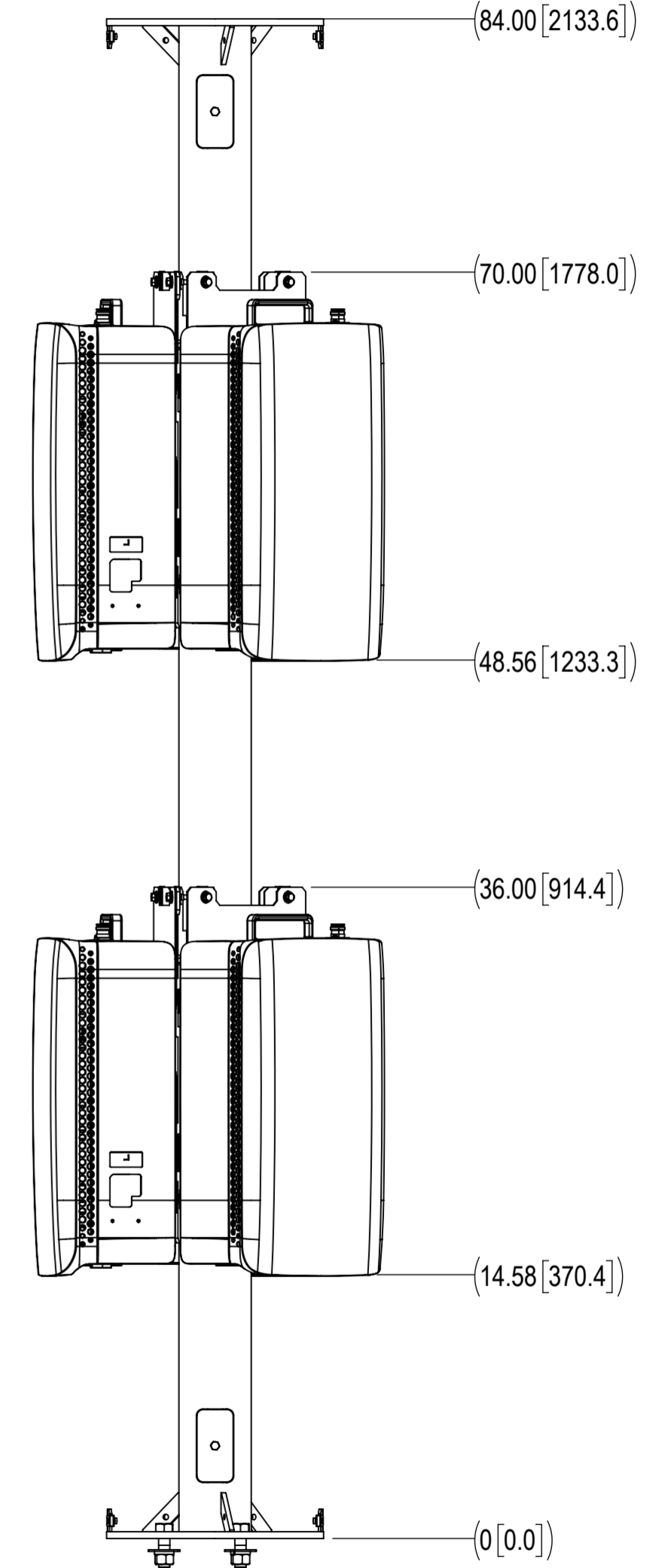
(70.00 [1778.0])

(48.56 [1233.3])

(36.00 [914.4])

(14.58 [370.4])

(0 [0.0])



INSTALL 2X ANTENNA INTEGRATED RADIOS TO THE SPOOL 860685489-XX  
ANTENNA INTEGRATED RADIOS BRACKET INSTALL PER MTM1126-2900