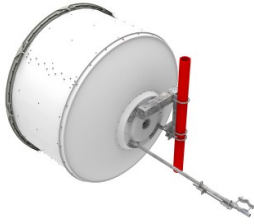


USX6-611-6WH/B



1.8m | 6ft Sentinel® Ultra High Performance, Super High XPD Antenna, dual-band, dual-polarized, 5.925 – 7.125 GHz & 10.0 -11.7GHz, white, CPR137G & CPR90G flange

Product Classification

Product Type Microwave antenna

General Specifications

Antenna Type USX - Sentinel® Ultra High Performance, Super High XPD Antenna, dual-band, dual-polarized

Polarization Dual

Antenna Input CPR137G | CPR90G

Antenna Color White

Reflector Construction One-piece reflector

Radome Color Gray

Radome Material Fabric

Flash Included No

Side Struts, Included 1

Dimensions

Diameter, nominal 1.8 m | 6 ft

Electrical Specifications

Operating Frequency Band 5.925 – 7.125 GHz

Gain, Low Band 38.4 dBi

Gain, Mid Band 39.3 dBi

Gain, Top Band 40.2 dBi

Boresite Cross Polarization Discrimination (XPD) 33 dB

Front-to-Back Ratio 76 dB

Beamwidth, Horizontal 1.8 °

Beamwidth, Vertical 1.8 °

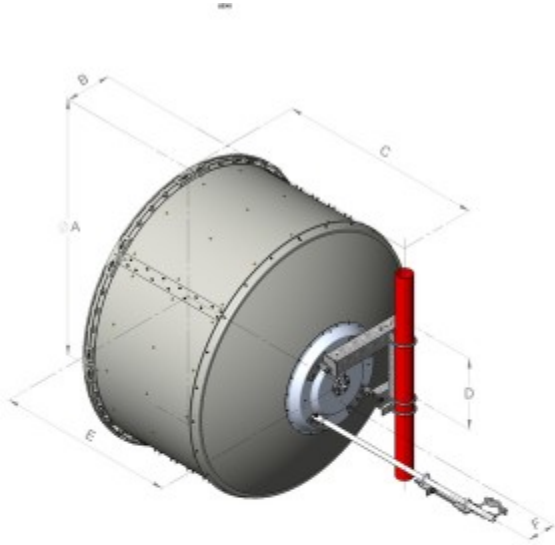
Return Loss 20 dB

USX6-611-6WH/B

| | |
|--|--|
| VSWR | 1.22 |
| Radiation Pattern Envelope Reference (RPE) | 7455 |
| Electrical Compliance | ACMA FX03_6a Brazil Anatel Class 3 Canada SRSP 305.9 Part A Canada SRSP 306.4 Part A ETSI 302 217 Class 3 US FCC Part 101A |
| Cross Polarization Discrimination (XPD) Electrical Compliance | ETSI EN 302217 XPD Category 2 |
| Electrical Specifications, Band 2 | |
| Operating Frequency Band | 10.000 – 11.700 GHz |
| Gain, Low Band | 42.5 dBi |
| Gain, Mid Band | 43.3 dBi |
| Gain, Top Band | 44 dBi |
| Beamwidth, Horizontal | 1.1 ° |
| Beamwidth, Vertical | 1.1 ° |
| Boresite Cross Polarization Discrimination (XPD) | 33 dB |
| Cross Polarization Discrimination (XPD) Electrical Compliance | ETSI EN 302217 XPD Category 2 |
| Electrical Compliance | ACMA FX03_11a Brazil Anatel Class 3 Canada SRSP 310.5 Canada SRSP 310.7 Part B ETSI 302 217 Class 3 US FCC Part 101A |
| Front-to-Back Ratio | 80 dB |
| Radiation Pattern Envelope Reference (RPE) | 7456 |
| Return Loss | 20 dB |
| VSWR | 1.22 |
| Mechanical Specifications | |
| Compatible Mounting Pipe Diameter | 115 mm–120 mm 4.5 in–4.7 in |
| Fine Azimuth Adjustment Range | ±15° |
| Fine Elevation Adjustment Range | ±5° |
| Wind Speed, operational | 200 km/h 124.274 mph |
| Wind Speed, survival | 200 km/h 124.274 mph |

USX6-611-6WH/B

Antenna Dimensions and Mounting Information



| Dimensions in inches (mm) | | | | | | |
|---------------------------|-------------|------------|-------------|------------|-------------|-----------|
| Antenna size, ft (m) | A | B | C | D | E | F |
| 6 (1.8) | 74.8 (1899) | 13.4 (340) | 59.8 (1520) | 20.9 (530) | 51.8 (1315) | 8.4 (214) |

Wind Forces at Wind Velocity Survival Rating

Axial Force (FA)

6960 N | 1,564.671 lbf

Angle α for MT Max

-130 °

Side Force (FS)

2049 N | 460.634 lbf

Twisting Moment (MT)

4948 N-m | 43,793.488 in lb

Force on Inboard Strut Side

6187 N | 1,390.893 lbf

Zcg without Ice

498 mm | 19.606 in

Zcg with 1/2 in (12 mm) Radial Ice

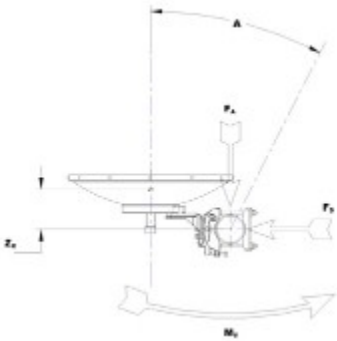
689 mm | 27.126 in

Weight with 1/2 in (12 mm) Radial Ice

291 kg | 641.544 lb

USX6-611-6WH/B

Wind Forces at Wind Velocity Survival Rating Image



Packaging and Weights

| | |
|-----------------------|---------------------|
| Height, packed | 2128 mm 83.78 in |
| Width, packed | 544 mm 21.417 in |
| Length, packed | 1895 mm 74.606 in |
| Packaging Type | Standard pack |
| Weight, gross | 152 kg 335.102 lb |
| Weight, net | 90 kg 198.416 lb |

Regulatory Compliance/Certifications

| Agency | Classification |
|---------------|--|
| CHINA-ROHS | Below maximum concentration value |
| REACH-SVHC | Compliant as per SVHC revision on www.andrew.com/ProductCompliance |
| ROHS | Compliant |
| UK-ROHS | Compliant |



* Footnotes

Operating Frequency Band

Bands correspond with CCIR recommendations or common allocations used throughout the world. Other ranges can be accommodated on special order.

Gain, Mid Band

For a given frequency band, gain is primarily a function of antenna size. The gain of Andrew antennas is determined by either gain by comparison or by computer integration of the measured antenna patterns.

Boresite Cross Polarization Discrimination (XPD)

The difference between the peak of the co-polarized main

USX6-611-6WH/B

Front-to-Back Ratio

beam and the maximum cross-polarized signal over an angle twice the 3 dB beamwidth of the co-polarized main beam.

Denotes highest radiation relative to the main beam, at $180^\circ \pm 40^\circ$, across the band. Production antennas do not exceed rated values by more than 2 dB unless stated otherwise.

Return Loss

The figure that indicates the proportion of radio waves incident upon the antenna that are rejected as a ratio of those that are accepted.

VSWR

Maximum; is the guaranteed Peak Voltage-Standing-Wave-Ratio within the operating band.

Radiation Pattern Envelope Reference (RPE)

Radiation patterns define an antenna's ability to discriminate against unwanted signals. Under still dry conditions, production antennas will not have any peak exceeding the current RPE by more than 3dB, maintaining an angular accuracy of $\pm 1^\circ$ throughout

Cross Polarization Discrimination (XPD) Electrical Compliance

The difference between the peak of the co-polarized main beam and the maximum cross-polarized signal over an angle twice the 3 dB beamwidth of the co-polarized main beam.

Radiation Pattern Envelope Reference (RPE)

Radiation patterns define an antenna's ability to discriminate against unwanted signals. Under still dry conditions, production antennas will not have any peak exceeding the current RPE by more than 3dB, maintaining an angular accuracy of $\pm 1^\circ$ throughout

Wind Speed, operational

For VHLP(X), SHP(X), HX and USX antennas, the wind speed where the maximum antenna deflection is 0.3 x the 3 dB beam width of the antenna. For other antennas, it is defined as a deflection is equal to or less than 0.1 degrees.

Wind Speed, survival

The maximum wind speed the antenna, including mounts and radomes, where applicable, will withstand without permanent deformation. Realignment may be required. This wind speed is applicable to antenna with the specified amount of radial ice.

Axial Force (FA)

Maximum forces exerted on a supporting structure as a result of wind from the most critical direction for this parameter. The individual maximums specified may not occur simultaneously. All forces are referenced to the mounting pipe.

Side Force (FS)

Maximum side force exerted on the mounting pipe as a result of wind from the most critical direction for this

USX6-611-6WH/B

parameter. The individual maximums specified may not occur simultaneously. All forces are referenced to the mounting pipe.

Twisting Moment (MT)

Maximum forces exerted on a supporting structure as a result of wind from the most critical direction for this parameter. The individual maximums specified may not occur simultaneously. All forces are referenced to the mounting pipe.

Packaging Type

Andrew standard packing is suitable for export. Antennas are shipped as standard in totally recyclable cardboard or wire-bound crates (dependent on product). For your convenience, Andrew offers heavy duty export packing options.