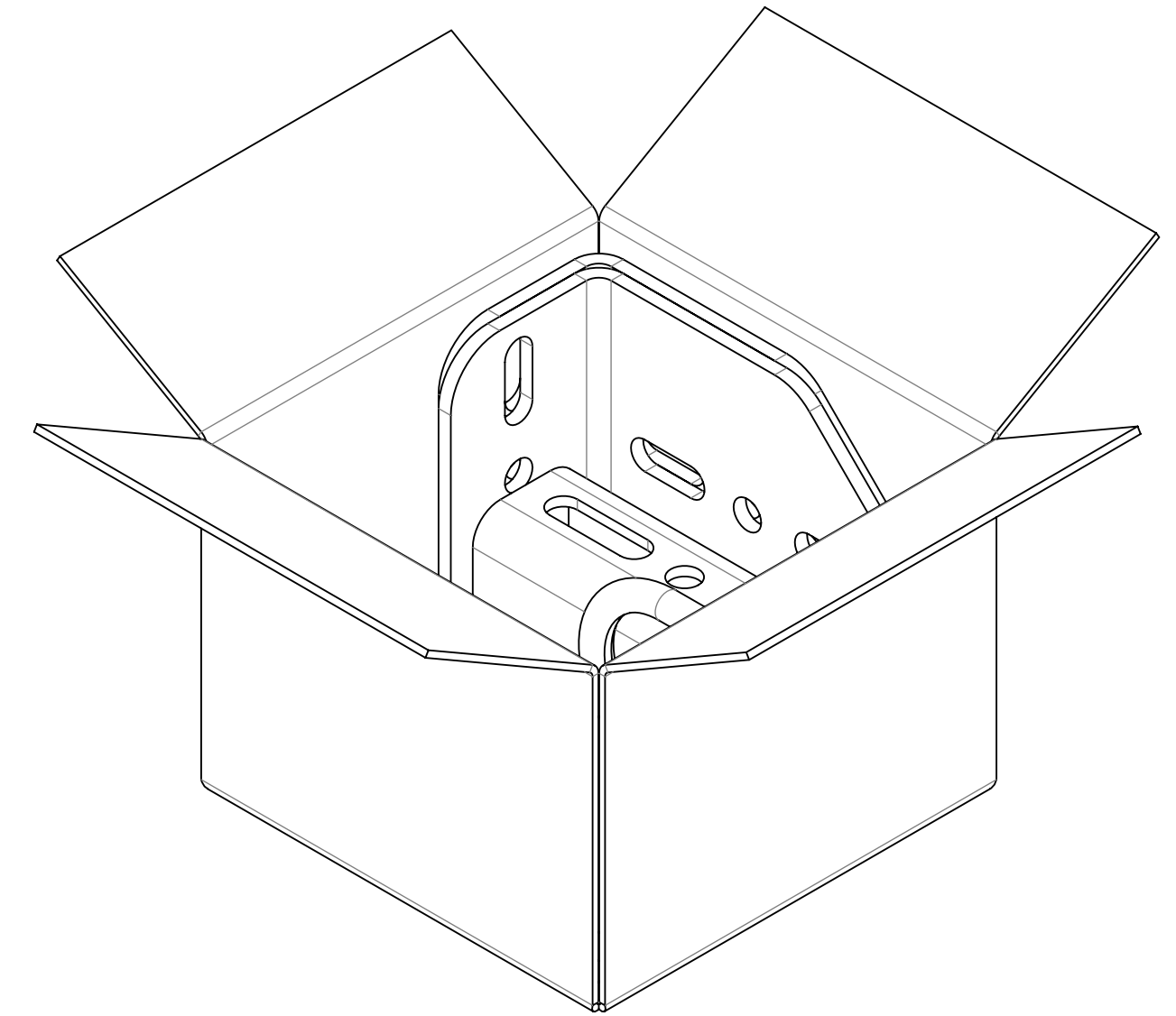
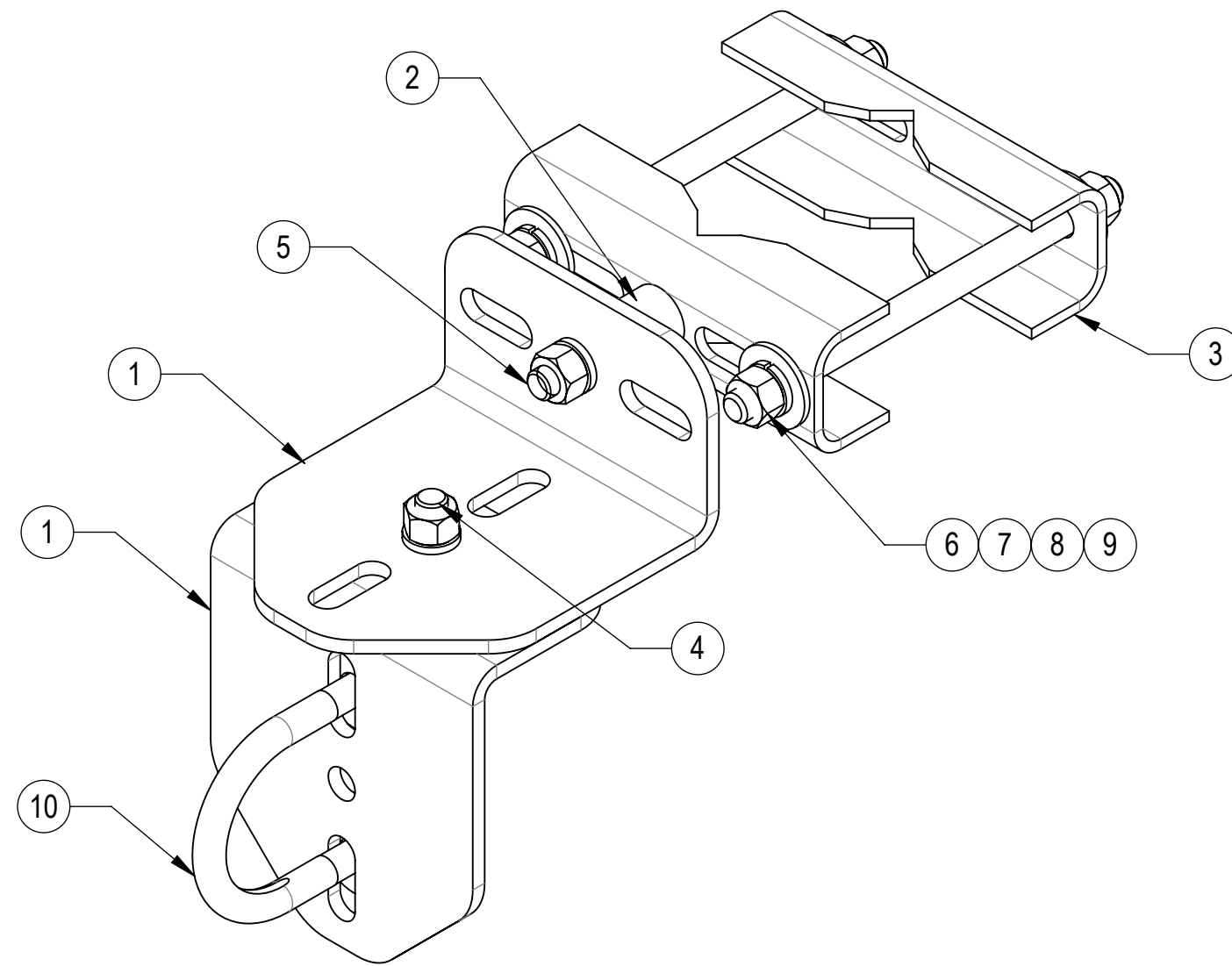


- 1.0 GENERAL NOTES
  - 1.1 ALL METRIC DIMENSIONS ARE IN BRACKETS [X. X]
  - 1.2 FOR PATENT INFO: <https://www.cs-pat.com>
- 2.0 DESIGN NOTES
- 3.0 MANUFACTURING/SPECIAL REQUIREMENTS
  - 3.1 TIGHTEN ALL BOLTS SECURING FLAT PLATES BY THE TURN-OF-NUT METHOD. TIGHTEN ALL U-BOLTS USING TURN-OF-NUT METHOD WITH ATTENTION TO LEAVE EQUAL DISTANCE AND EQUAL FORCE ON EACH LEG OF THE U-BOLT.
- 4.0 TEST
- 5.0 PACKAGING
  - 5.1 PACKAGING SHALL MEET COMMSCOPE REQUIREMENTS PER DOCUMENT IS-PL-3005
  - 5.2 PRINTED DOCUMENT TO BE PLACED INSIDE POLYBAG AND THEN IN SHIPPING CONTAINER
  - 5.3 EXTRA HARDWARE MAY BE SUPPLIED, BAGGED AND SHIPPED

REVISIONS			
REV.	DESCRIPTION	DATE	APPROVED
A	INITIAL RELEASE	RY1002 29OCT24	WQ1001 40207754CMO



PACKAGING VIEW

COMPONENT PART NUMBERS PROVIDED FOR ASSEMBLY PURPOSES;  
INDIVIDUAL COMPONENTS MAY BE SHIPPED AS PARTS WITHIN AN INCLUDED KIT.

ITEM	PART NO.	DESCRIPTION	QTY.	WEIGHT	NOTE NO.
1	XAU01	ANGLE, CROSSOVER, 1.9-3.5" X 1.9-3.5" OD	2	2.98 LBS	
2	OS15034	3/4" X 1-1/2" OFFSET COLLAR	1	0.14 LBS	
3	SAB01	FORMED CLAMP	2	1.35 LBS	
4	GB-04125	1/2" X 1-1/4" GALV BOLT KIT	1	0.12 LBS	
5	GB-04265	1/2" X 2-3/4" GALV BOLT KIT	1	0.20 LBS	
6	GN-04	1/2" GALV HEX NUT	4	0.04 LBS	
7	GWL-04	1/2" GALV LOCK WASHER	4	0.01 LBS	
8	GWF-04	1/2" GALV FLAT WASHER	4	0.04 LBS	
9	MT-379-8	1/2" X 8" GALV THREADED ROD	2	0.44 LBS	
10	GUB-4240	1/2" X 2-1/2" X 4" GALV U-BOLT	1	0.56 LBS	

<b>COMMSCOPE, INC. OF NORTH CAROLINA</b>											
TOLERANCES					SAP MATERIAL MASTER						
1 PLACE .X[X] ±		0.06[2.0]			3 PLACE .XXX[X] ±		0.010[0.3]				
2 PLACE .XX[X] ±		0.03[0.8]			ANGLES		± 2°				
FINISH					MATERIAL						
					<b>SA-B-001</b>						
UNLESS OTHERWISE SPECIFIED DIMENSIONS ARE IN INCHES INTERPRET PER ANSI Y 14.5M-1994	NAME		DATE		TITLE						
	CE	RY1002	29OCT24		<b>CLAMP, TIE BACK, CLAMP ONLY</b>						
	RW	RY1002	10/29/2024								
	AD	WQ1001	10/30/2024								
	RE	RY1002	10/30/2024								
ECN 40207754CMO					SCALE		DOCUMENT NO.				
					<b>1:1</b>		<b>SA-B-001</b>				
SIZE		Auth Group		INSL		MODEL			DRAWING		
<b>C</b>				VERSION			STATUS		REVISION		SHEET 1 OF 1
				00			RE		A		
HEIGHT		LENGTH		WIDTH		DENSITY		MASS		VOLUME	
9.5"		16.8"		6.5"		11.25 lbs/in³		11.25 lbs		39.72 in³	
SURFACE AREA		HEIGHT		LENGTH		WIDTH		DENSITY		MASS	
414.67 in²		9.5"		16.8"		6.5"		11.25 lbs/in³		11.25 lbs	