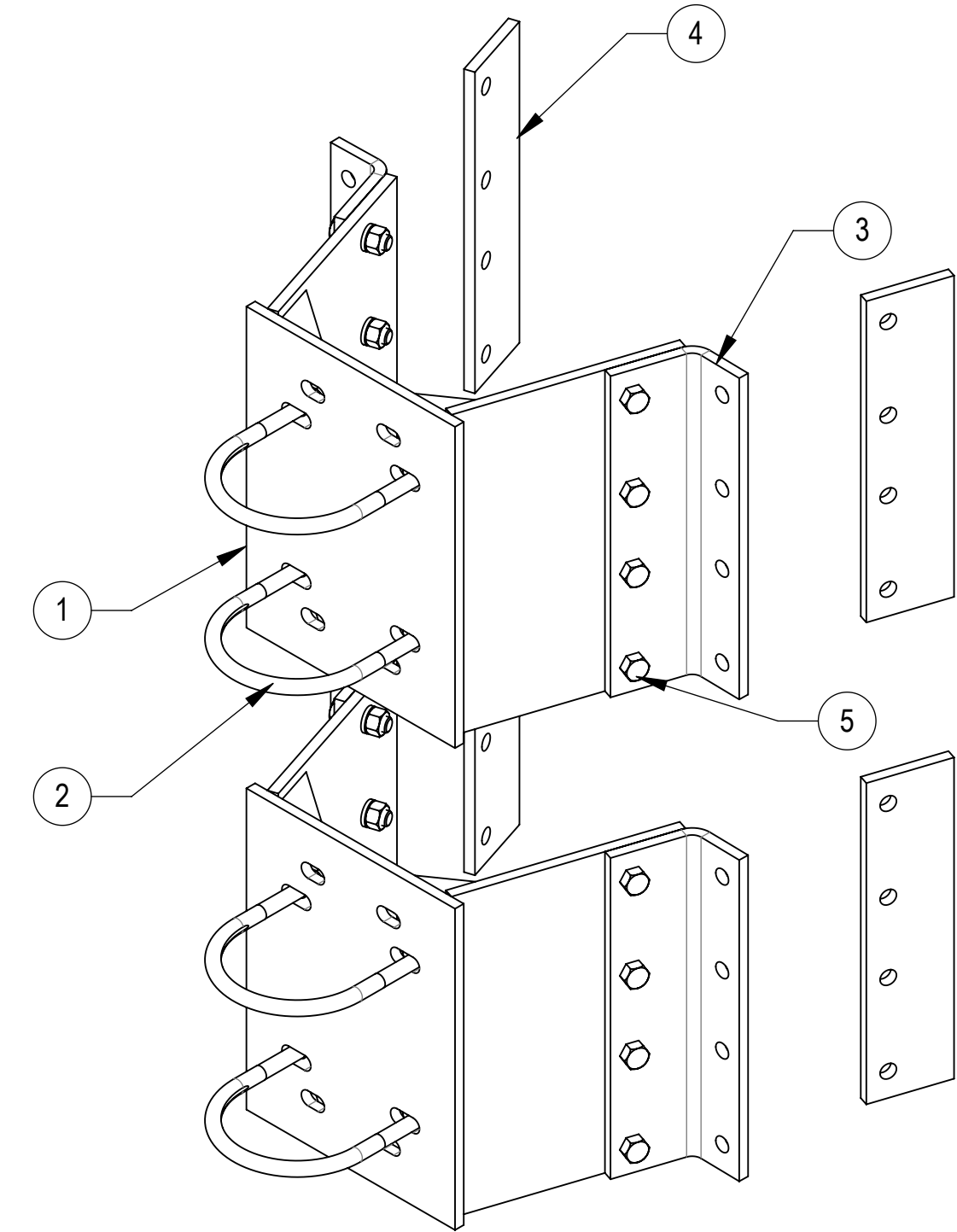
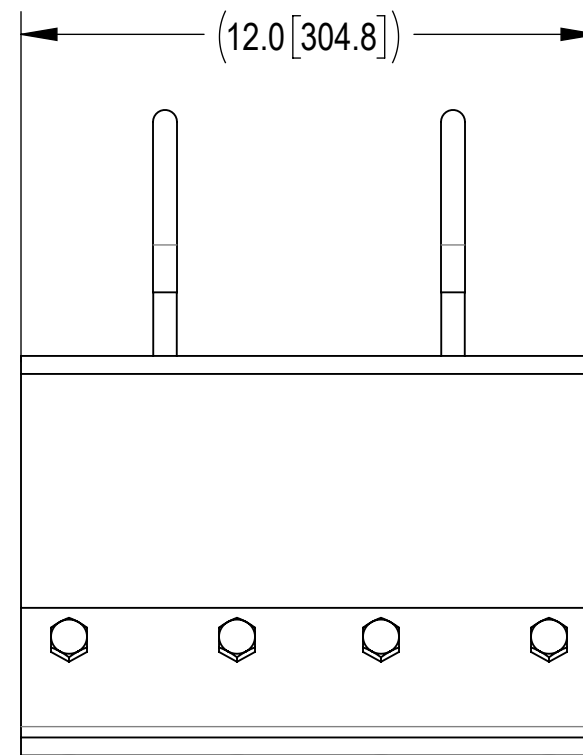
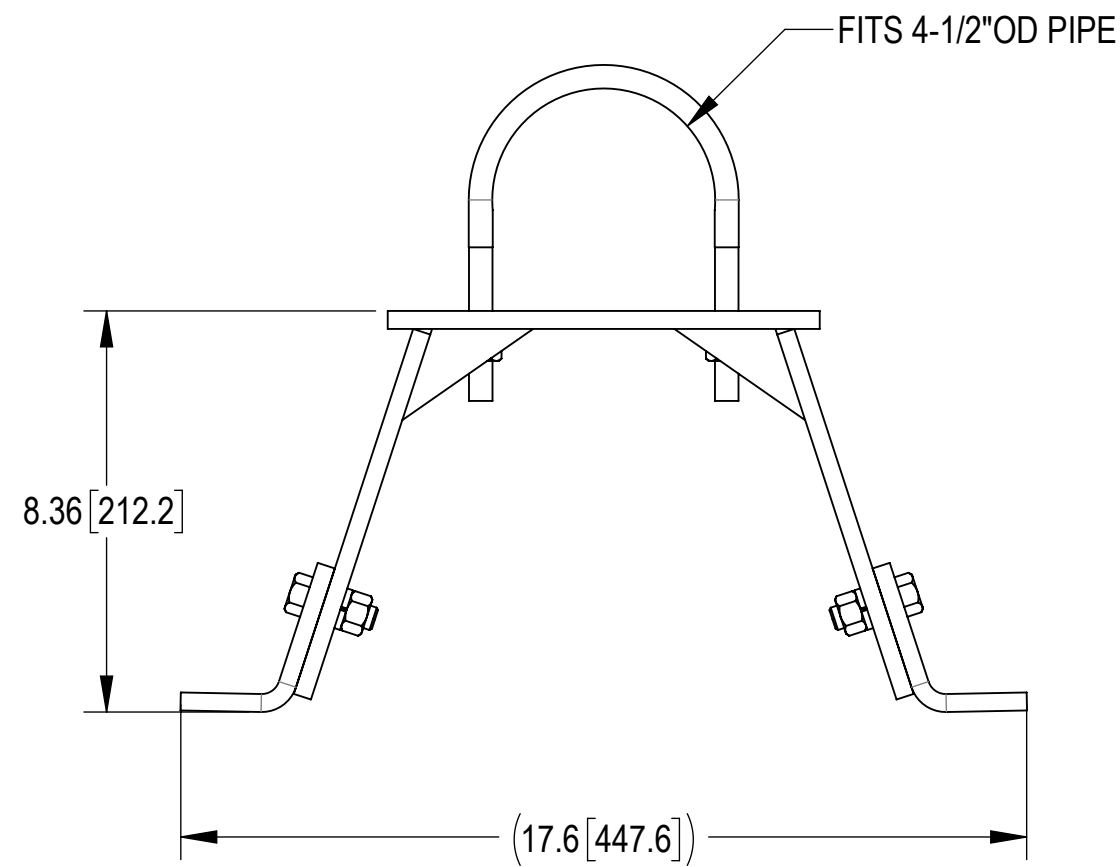


- 1.0 GENERAL NOTES
 1.1 ALL METRIC DIMENSIONS ARE IN BRACKETS [X.X]
 1.2 FOR PATENT INFO: <https://www.cs-pat.com>
- 2.0 DESIGN NOTES
 2.1 ANY HAZARDS OR OBSTRUCTIONS TO THE CLIMBING FACILITY AND SAFETY CLIMB MUST BE IDENTIFIED PRIOR TO INSTALLING THE APPURTENANCE. ADDITIONAL PRODUCTS MAY BE REQUIRED TO MAINTAIN THE INTEGRITY OF THE SAFETY CLIMB. DURING INSTALLATION, TEMPORARY AND/OR PERMANENT PRECAUTIONARY MEASURES SHOULD BE TAKEN TO PRESERVE THE CLIMBING FACILITY AND/OR SAFETY CLIMB.
- 3.0 MANUFACTURING/SPECIAL REQUIREMENTS
 3.1 TIGHTEN ALL BOLTS SECURING FLAT PLATES BY THE TURN-OF-NUT METHOD. TIGHTEN ALL U-BOLTS USING TURN-OF-NUT METHOD WITH ATTENTION TO LEAVE EQUAL DISTANCE AND EQUAL FORCE ON EACH LEG OF THE U-BOLT.
- 4.0 TEST
- 5.0 PACKAGING
 5.1 PACKAGING SHALL MEET COMMSCOPE REQUIREMENTS PER DOCUMENT IS-PL-3005
 5.2 PRINTED DOCUMENT TO BE PLACED INSIDE POLYBAG AND THEN IN SHIPPING CONTAINER
 5.3 EXTRA HARDWARE MAY BE SUPPLIED, BAGGED AND SHIPPED

REVISIONS			
REV.	DESCRIPTION	DATE	APPROVED
D	WT-MSM4-B WAS SEPARATED FROM WT-MSM-B SERIES	LL1090 17JAN25	CB1094 40212518CMO



COMPONENT PART NUMBERS PROVIDED FOR ASSEMBLY PURPOSES;
 INDIVIDUAL COMPONENTS MAY BE SHIPPED AS PARTS WITHIN AN INCLUDED KIT.

ITEM	PART NO.	DESCRIPTION	QTY.	WEIGHT	NOTE NO.
1	WTMSM01	WELDMENT - WATER TOWER MIDSPAN MOUNT	2	31.86 LBS	
2	GUB-4456	1/2" X 4-5/8" X 6-1/2" GALV U-BOLT	4	0.90 LBS	
3	WTMSM05	BOLT ON ANGLE ADAPTOR	4	6.13 LBS	
4	WTMSM06	BOLT END ADAPTOR	4	3.70 LBS	
5	GB-04145	1/2" X 1-1/2" GALV BOLT KIT	16	0.13 LBS	

DENSITY		lbs/in ³
MASS	110.39	lbs
VOLUME	391.62	in ³
SURFACE AREA	2503.98	in ²
HEIGHT	12.0"	
LENGTH	17.6"	
WIDTH	13.5"	

COMMSCOPE, INC. OF NORTH CAROLINA

TOLERANCES		SAP MATERIAL MASTER	
1 PLACE .X[X] ± 0.12[3.0]	3 PLACE .XXX[X] ± 0.03[0.8]	WT-MSM4-B	
2 PLACE .XX[X] ± 0.06[1.5]	ANGLES ± 2°		
FINISH		MATERIAL	
UNLESS OTHERWISE SPECIFIED DIMENSIONS ARE IN INCHES INTERPRET PER ANSI Y 14.5M-1994		TITLE	
CE	LL1090	17JAN25	MID-SPAN MOUNT FOR 4-1/2" (114.3MM)
RW	YMENG	01/23/2025	
AD	CB1094	01/23/2025	
RE	YMENG	01/24/2025	
ECN 40212518CMO		SCALE	DOCUMENT NO.
		1:4	WT-MSM4-B
SIZE	Auth Group	INSL	MODEL
C			
VERSION		STATUS	REVISION
01	RE	D	00
DRAWING		VERSION	STATUS
		RE	D
SHEET			1 OF 1