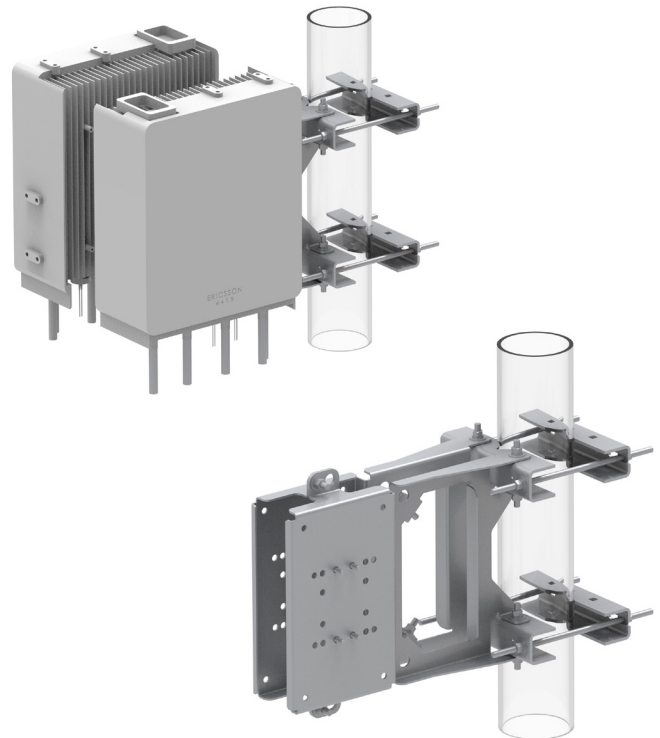


FAST ACCESS 4 REMOTE RADIO MOUNT

ANDREW has developed a new addition to our full line of RRH/RRU mounts: the Fast Access 4 ([RR-FA4](#)). This new radio mount supports new Ericsson ERS radios as well as legacy remote radio units (RRUs) without the need for an additional interface plate. The new design includes innovative features, such as an integrated lifting point to support hoisting operations and can support up to two radios in the standard back-to-back configuration. The RR-FA4 also incorporates our industry-leading “Fast Access” feature, which allows mounting of the brackets to the radios prior to mounting into the tower clamps for easy installation. Other features include:

Features and benefits

- Supports all typical remote radio head (RRH) units from Ericsson, ERS and RRUS
- Securely supports radios and prevents outdoor elements from affecting equipment performance
- Has Fast Access design with removable brackets that allow mounting to RRU, then insertion into tower clamps for ease of installation
- Features integrated lifting points for safe and efficient hoisting of radios to the mounting location
- Mounts to 60-degree angle up to 6 in and 90-degree angle legs up to 4.5 in
- Mounts to round legs up to 5.6 in
- Is AT&T approved and has item number assigned



Ordering information

PART NUMBER	DESCRIPTION	AT&T ITEM NUMBER
RR-FA4	Fast Access 4 remote radio mounting bracket for up to (2) RRUs	ANT.58764

Please contact your local ANDREW representative or email steelproducts@andrew.com for more information.

ANDREW.COM Visit our website or contact your local ANDREW representative for more information.