

4

3

2

1

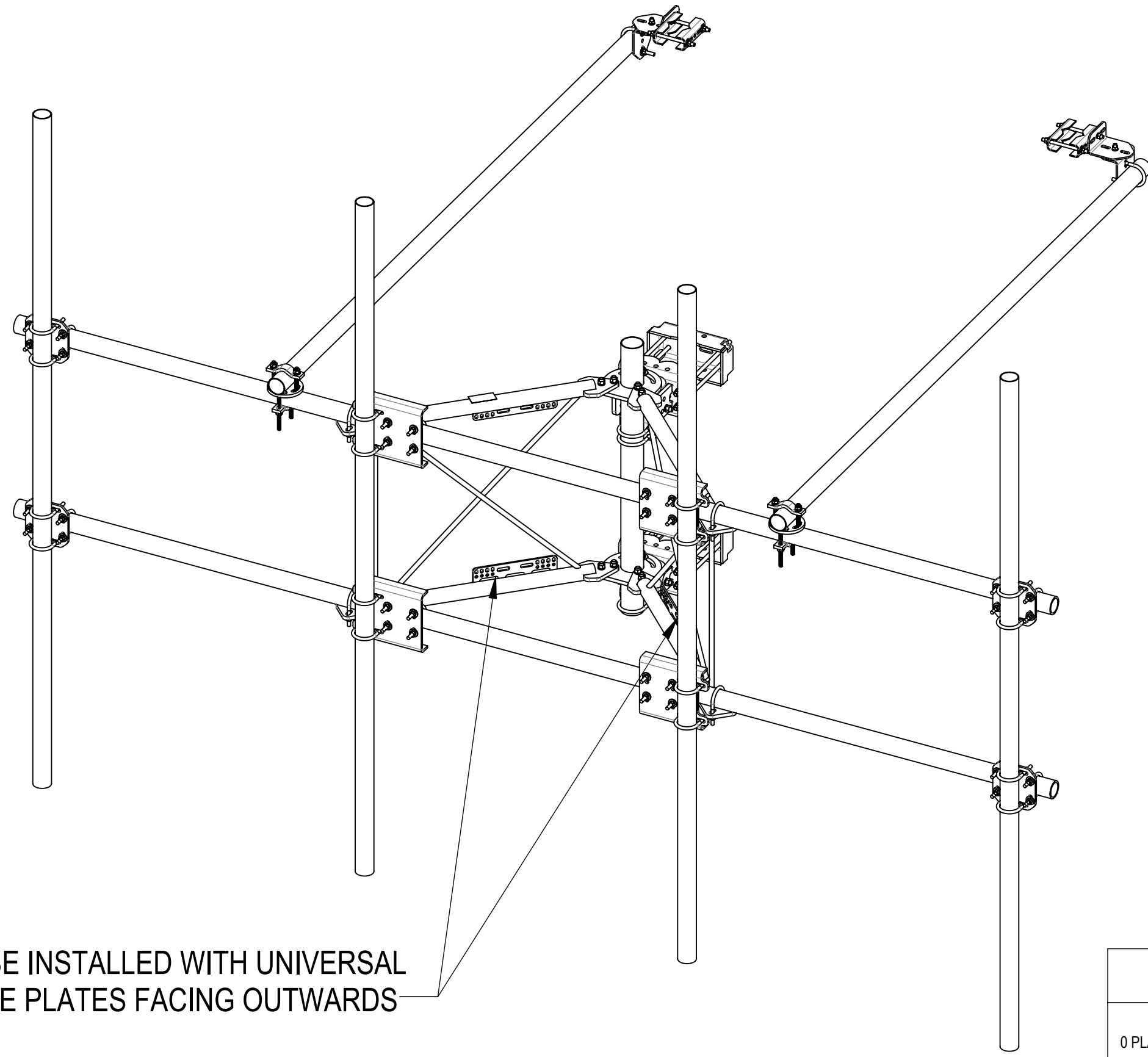
- 1.0 GENERAL NOTES
- 1.1 ALL METRIC DIMENSIONS ARE IN BRACKETS [X.XX]
- 1.2 FOR PATENT INFO: <https://www.cs-pat.com>

- 2.0 DESIGN NOTES
- 2.1 ANY HAZARDS OR OBSTRUCTIONS TO THE CLIMBING FACILITY AND SAFETY CLIMB MUST BE IDENTIFIED PRIOR TO INSTALLING THE APPURTENANCE. ADDITIONAL PRODUCTS MAY BE REQUIRED TO MAINTAIN THE INTEGRITY OF THE SAFETY CLIMB. DURING INSTALLATION, TEMPORARY AND/OR PERMANENT PRECAUTIONARY MEASURES SHOULD BE TAKEN TO PRESERVE THE CLIMBING FACILITY AND/OR SAFETY CLIMB.
- 2.2 UP TO 5.0° TAPER AVAILABLE ON MODELS THAT SUPPORT ADJUSTMENT.
- 2.3 FACE WIDTH MUST BE GREATER THAN OR EQUAL TO 39.5" TO MEET THE APEX DISTANCE OF ANTENNA TO ANTENNA >24".

- 3.0 MANUFACTURING/SPECIAL REQUIREMENTS
- 3.1 TIGHTEN ALL BOLTS SECURING FLAT PLATES BY THE TURN-OF-NUT METHOD. TIGHTEN ALL U-BOLTS USING TURN-OF-NUT METHOD WITH ATTENTION TO LEAVE EQUAL DISTANCE AND EQUAL FORCE ON EACH LEG OF THE U-BOLT.

- 4.0 TEST
- 5.0 PACKAGING
- 5.1 PACKAGING SHALL MEET COMMScope REQUIREMENTS PER DOCUMENT IS-PL-3005.
- 5.2 PRINTED DOCUMENT TO BE PLACED INSIDE POLYBAG AND THEN IN SHIPPING CONTAINER.
- 5.3 EXTRA HARDWARE MAY BE SUPPLIED, BAGGED AND SHIPPED.

REVISIONS			
REV.	DESCRIPTION	DATE	APPROVED
A	INITIAL RELEASE	JL1183 05FEB24	CB1094 40188553CMO
B	SADDLE MOUNT CHANGED TO G23	YMENG 13JUN24	BA1025 40197994CMO
C	SFG2292-00(ITEM 2) WAS SFG2278; ADDED SHEET 5 V-ARM VIEW	JL1183 25NOV24	YZ1080 40209215CMO



SHOULD BE INSTALLED WITH UNIVERSAL
INTERFACE PLATES FACING OUTWARDS

COMMScope, INC. OF NORTH CAROLINA												
TOLERANCES						SAP MATERIAL MASTER						
0 PLACE .X[X] ± 0.25[6.3]			2 PLACE .XX[X] ± 0.06[1.5]			SFG22HDX-15-4-H10						
1 PLACE .X[X] ± 0.12[3.0]			ANGLES ± 2°									
FINISH						MATERIAL						
UNLESS OTHERWISE SPECIFIED DIMENSIONS ARE IN INCHES INTERPRET PER ANSI Y 14.5M-1994	NAME		DATE		SF, 15',(4)2.88"X120"-PIPES-PIM-SPACED							
	CE	JL1183	05FEB24									
	RW	JL1183	11/28/2024									
	AD	YZ1080	12/02/2024									
	RE	YMENG	12/24/2024									
ECN 40209215CMO						SCALE		DOCUMENT NO.				
						1:18		SFG22HDX-15-4-H10				
SIZE		Auth Group		INSL		MODEL			DRAWING			SHEET 1 OF 7
C						VERSION			STATUS			
						02			RE B 02			

DENSITY		lbs/in³
MASS	840.60	lbs
VOLUME	2967.91	in³
SURFACE AREA	29752.48	in²
HEIGHT	120"	
LENGTH	180"	
WIDTH	120"	

4

3

2

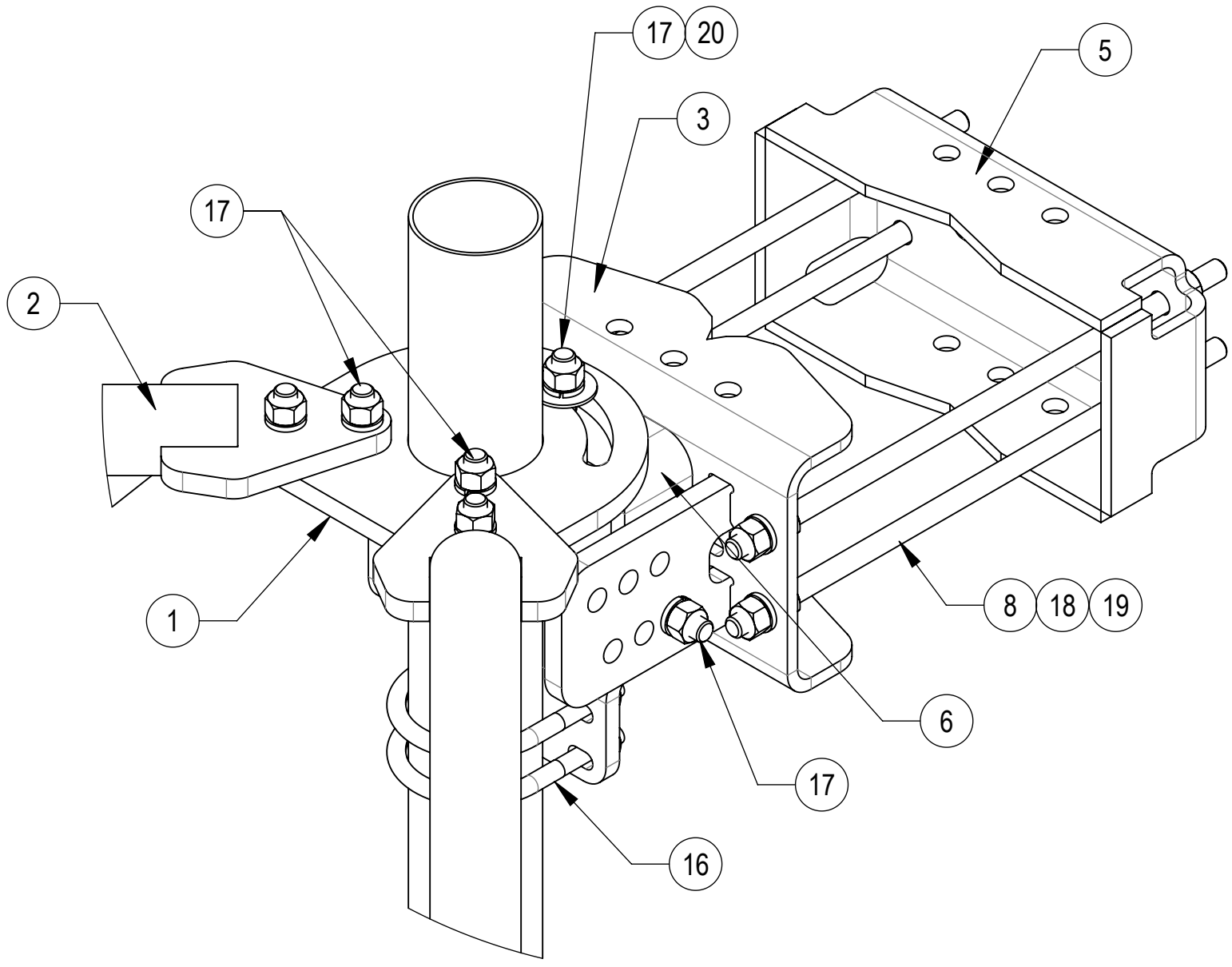
1

4

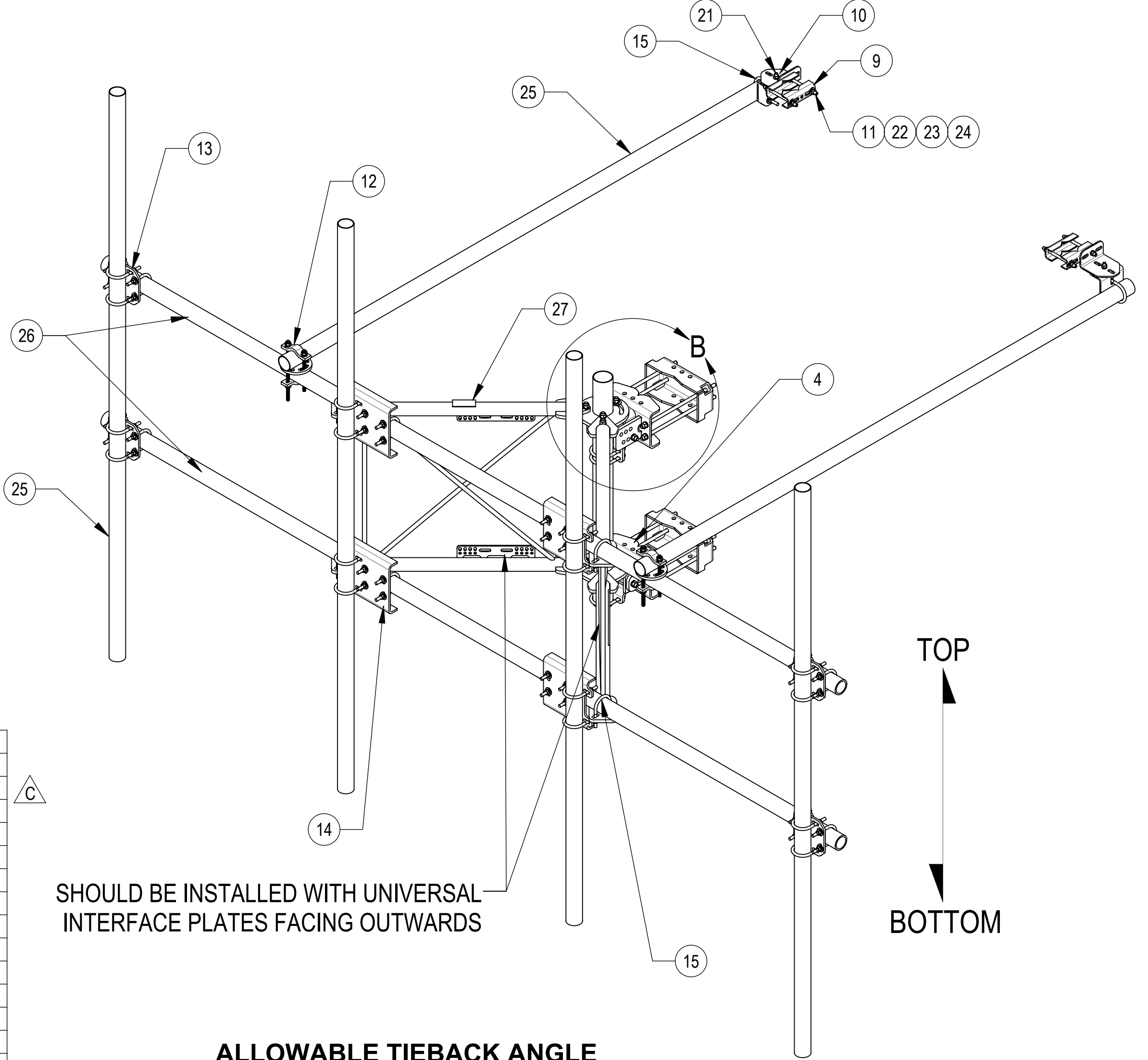
3

2

1

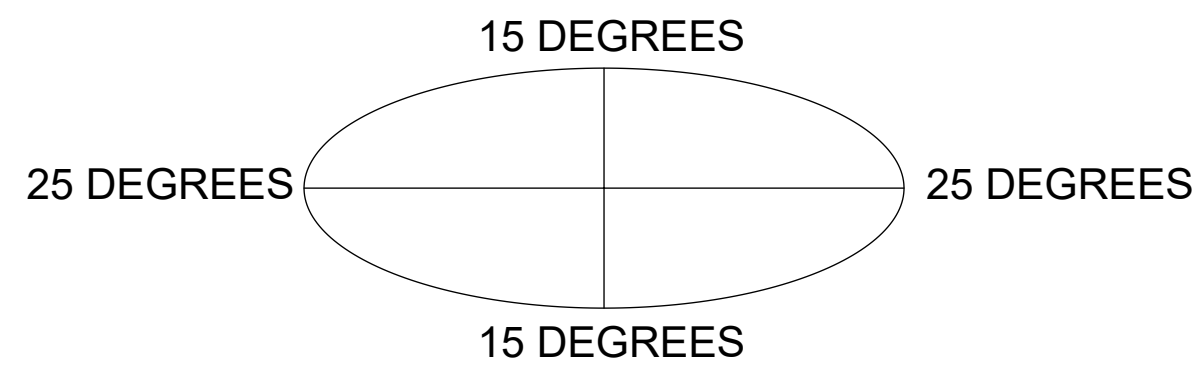


DETAIL B
SCALE 1 : 4



SHOULD BE INSTALLED WITH UNIVERSAL
INTERFACE PLATES FACING OUTWARDS

ALLOWABLE TIEBACK ANGLE
± 15 DEGREES VERTICAL
± 25 DEGREES HORIZONTAL



COMPONENT PART NUMBERS PROVIDED FOR ASSEMBLY PURPOSES;
INDIVIDUAL COMPONENTS MAY BE SHIPPED AS PARTS WITHIN AN INCLUDED KIT.

ITEM	PART NO.	DESCRIPTION	QTY.	WEIGHT	NOTE NO.
1	SFG2270	BACK VERTICAL ARM MOUNT	1	36.96 LBS	
2	SFG2292-00	WELDMENT, V-ARM, SECTOR FRAME 22	2	49.69 LBS	
3	SFG2380	WELDMENT, HD, TOP TAPER BRACKET	1	22.78 LBS	
4	SFG2381	WELDMENT, HD, LOWER TOWER LEG BRACKET	1	17.42 LBS	
5	SFG2289	G2 RRU BACK CLAMP, HD	2	18.65 LBS	
6	SFG2386	WELDMENT, SFG2 AZIMUTH BRACKET	1	10.07 LBS	
7	SFG2397-00	WELDMENT, G23 AZIMUTH BRACKET	1	7.94 LBS	
8	MT-382-18	5/8" X 18" THREADED ROD	8	1.43 LBS	
9	SAB01	FORMED CLAMP	4	1.35 LBS	
10	XAU01	ANGLE, CROSSOVER, 1.9-3.5" X 1.9-3.5" OD	4	2.98 LBS	
11	MT-379-8	1/2" X 8" GALV THREADED ROD	4	0.45 LBS	
12	XP-R	CROSSOVER PLATE, ROUND, UP TO 3.5" OD	2	6.20 LBS	
13	XP-2525	CROSSOVER PLATE KIT, 2-7/8 OD X 2-7/8 OD	4	8.37 LBS	
14	XP-2525-OFF	OFFSET CO PLATE KIT, 2-7/8ODX2-7/8OD	4	17.91 LBS	
15	GUB-4352	1/2" X 3" X 5-1/4" GALV U-BOLT	6	0.71 LBS	
16	GUB-4355	1/2" X 3-5/8" X 5" GALV U-BOLT	3	0.71 LBS	
17	GB-05225	5/8" X 2-1/4" GALV BOLT KIT	14	0.28 LBS	
18	GN-05	5/8" GALV HEX NUT	24	0.08 LBS	
19	GWL-05	5/8" GALV LOCK WASHER	16	0.03 LBS	
20	GWF-05	5/8" GALV FLAT WASHER, 1.7OD	2	0.06 LBS	
21	GB-04145	1/2" X 1-1/2" GALV BOLT KIT	2	0.13 LBS	
22	GN-04	1/2" GALV HEX NUT	10	0.04 LBS	
23	GWL-04	1/2" GALV LOCK WASHER	10	0.01 LBS	
24	GWF-04	1/2" GALV FLAT WASHER	8	0.04 LBS	
25	MT546120120	PIPE, 2.875"OD X 120"	6	35.44 LBS	
26	MT546180276	PIPE, 2.875"OD X 180"	2	115.33 LBS	
27	SFG2255	LABEL, SFG22HDX	1	0.04 LBS	

COMMSCOPE, INC. OF NORTH CAROLINA				
TITLE SF, 15',(4)2.88"X120"-PIPES-PIM-SPACED				
SIZE C	SCALE 1:16	DOCUMENT NO. SFG22HDX-15-4-H10		
DRAWING		REVISION		SHEET
VERSION 02	STATUS RE	REVISION C	2 OF 7	

© 2024 CommScope, Inc. Confidential

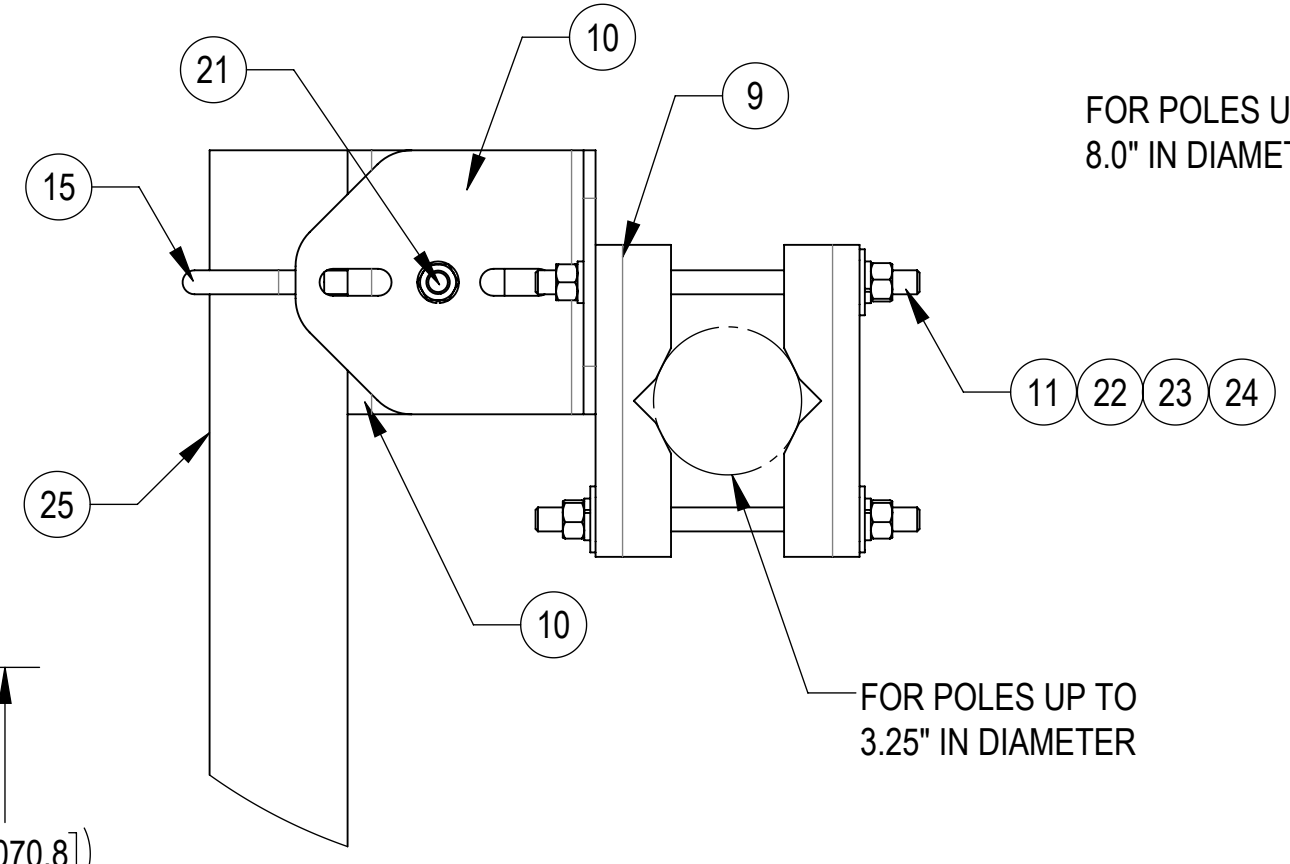
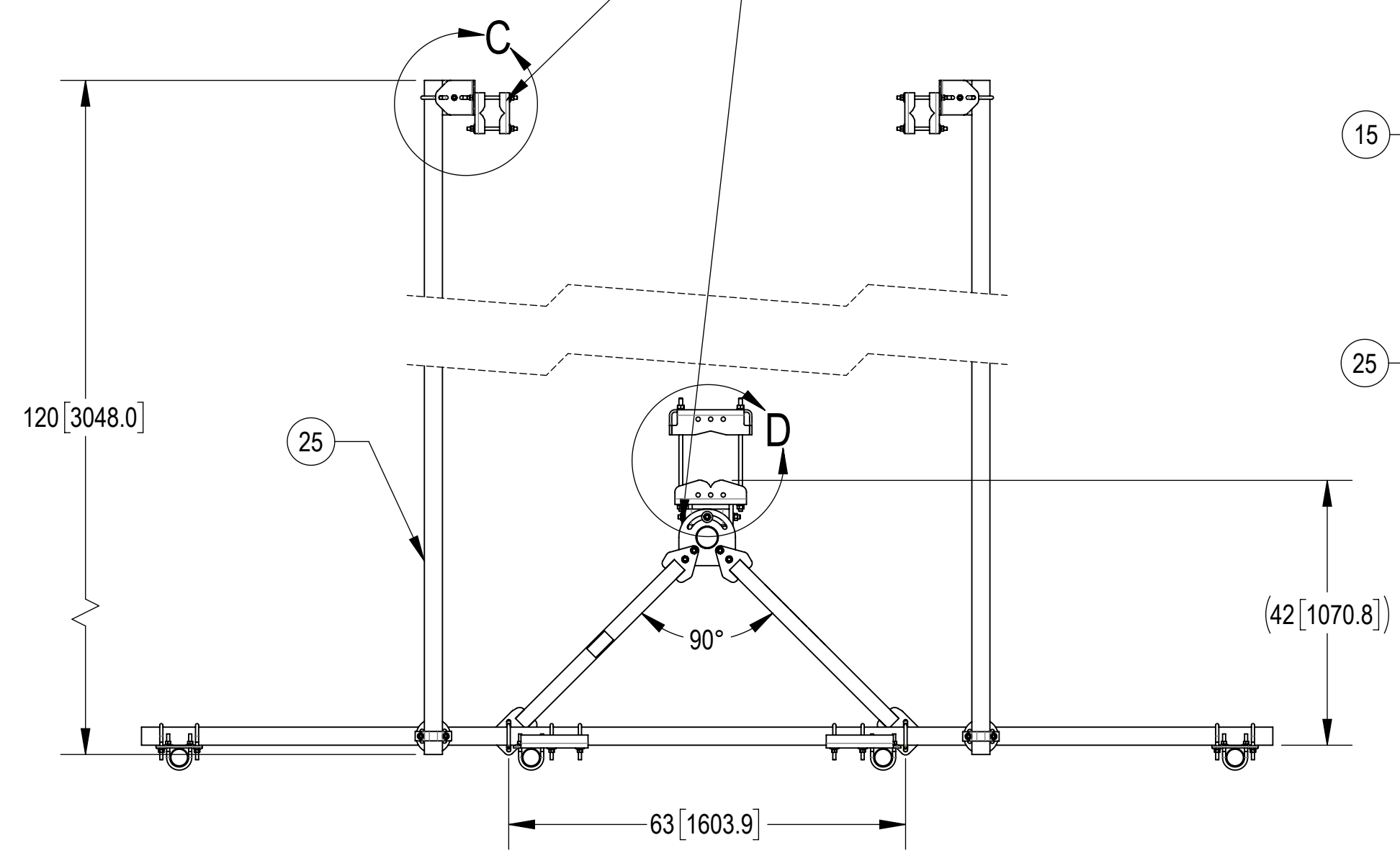
4

3

2

1

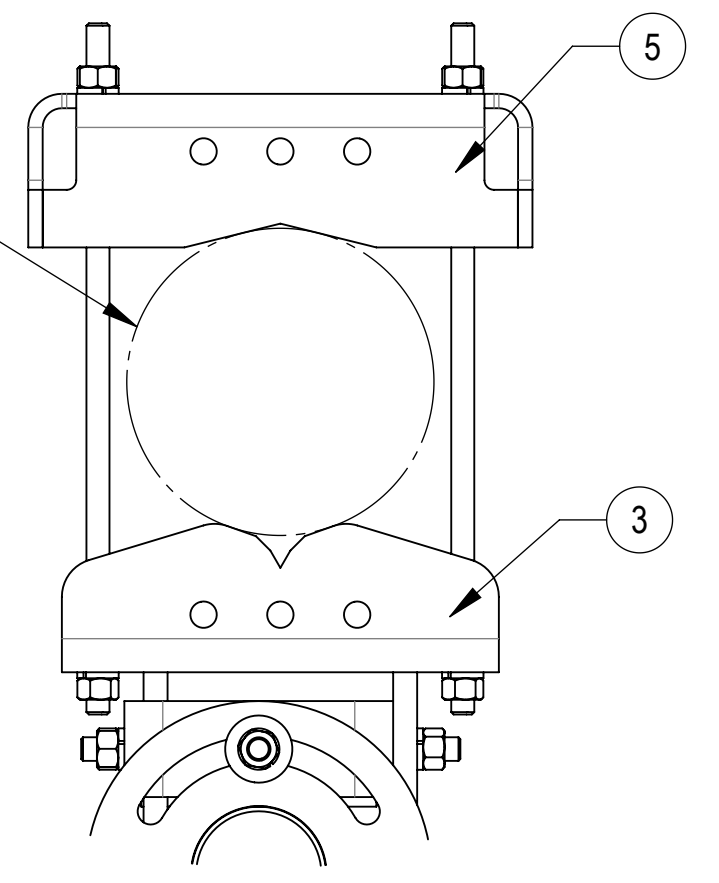
TIEBACK MUST BE CONNECTED TO A RIGID MEMBER THAT PROVIDES ADEQUATE SUPPORT WITHIN THE LIMITS NOTED IN THE TIEBACK ANGLE RANGE DETAIL. UNLESS APPROVED BY ENGINEER OF RECORD. SPINE STEM OF NEIGHBORING MOUNT IS ACCEPTABLE.



DETAIL C
SCALE 1:4

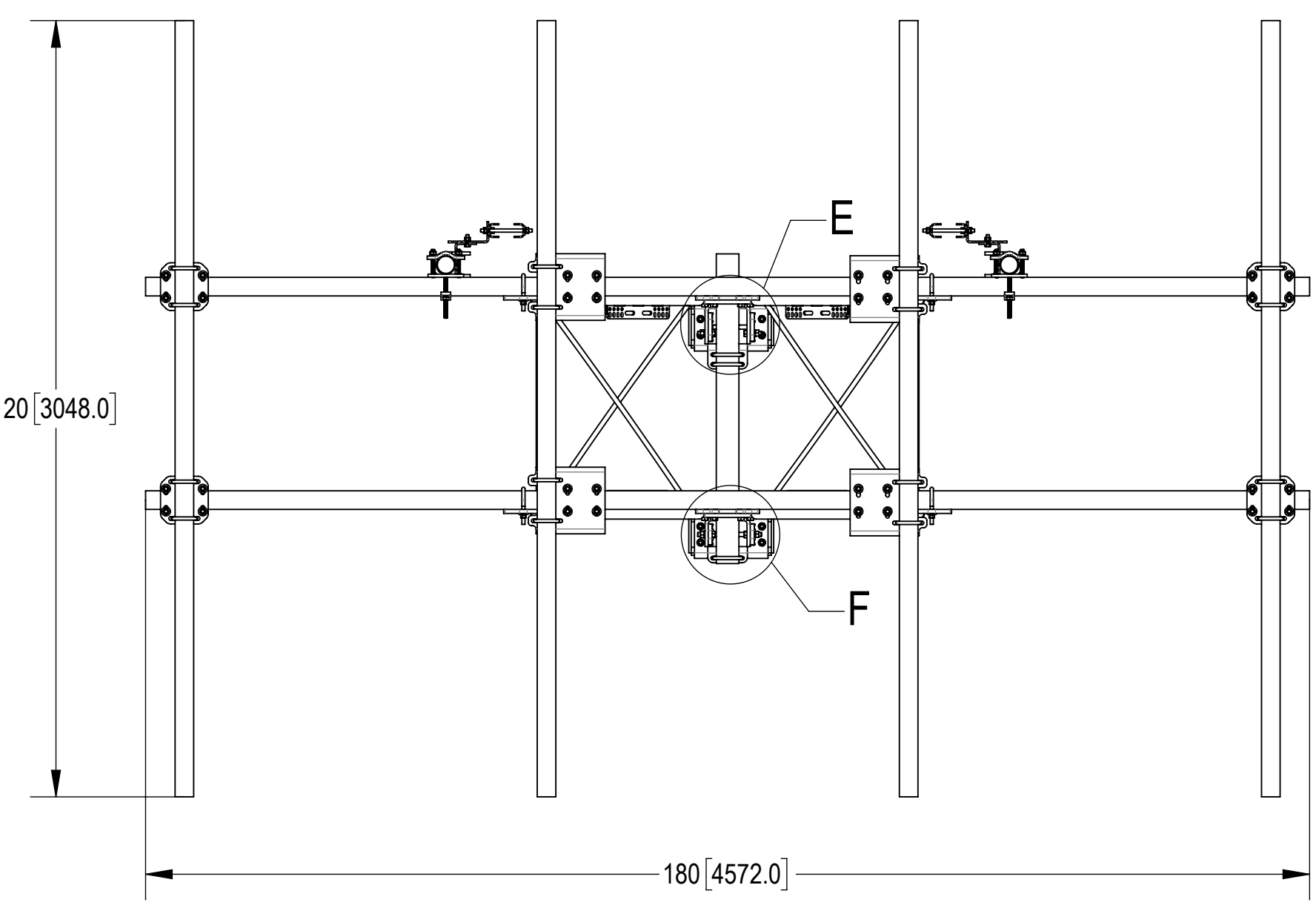
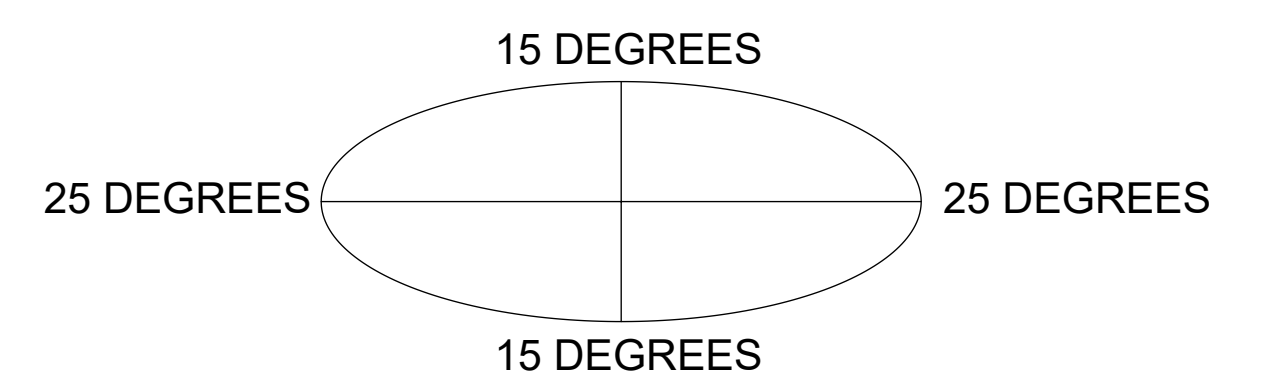
FOR POLES UP TO 8.0" IN DIAMETER

FOR POLES UP TO 3.25" IN DIAMETER

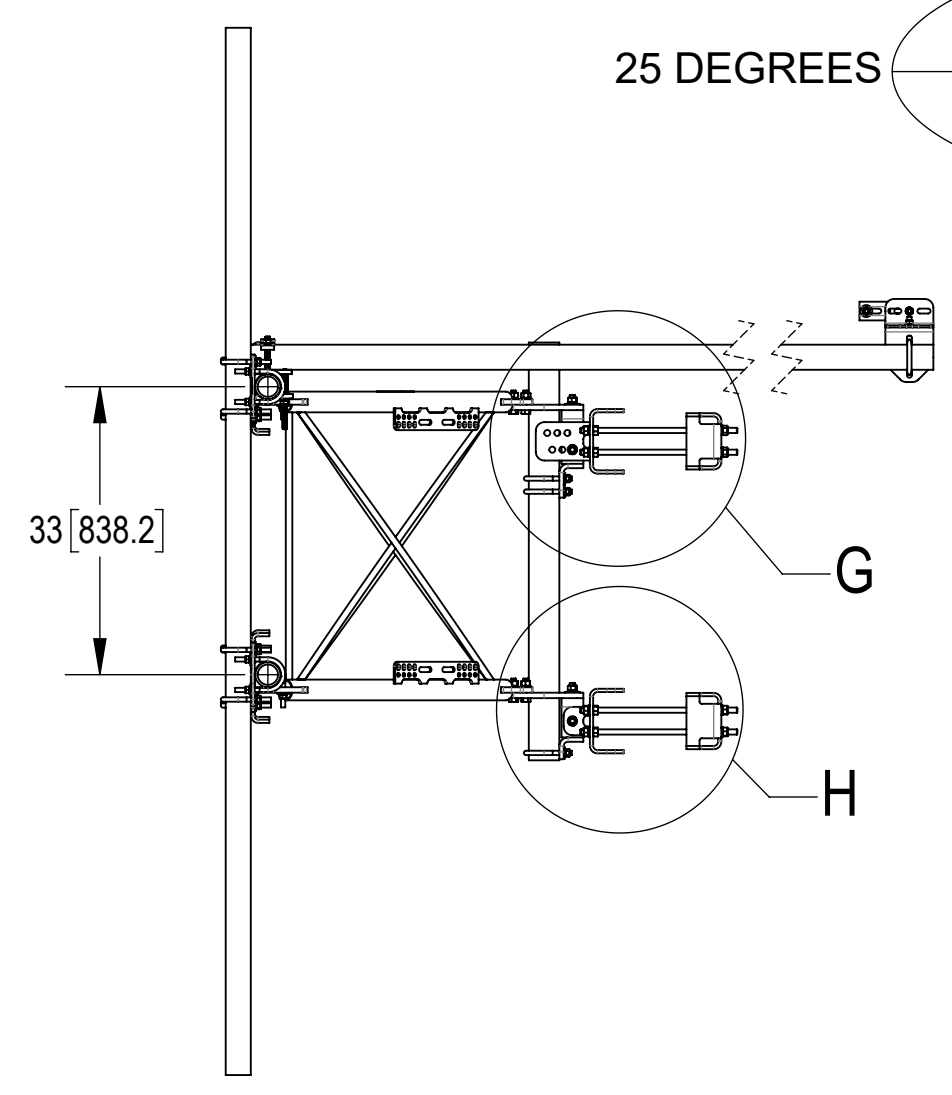


DETAIL D
SCALE 1:5

ALLOWABLE TIEBACK ANGLE
± 15 DEGREES VERTICAL
± 25 DEGREES HORIZONTAL



TOP
↓
BOTTOM



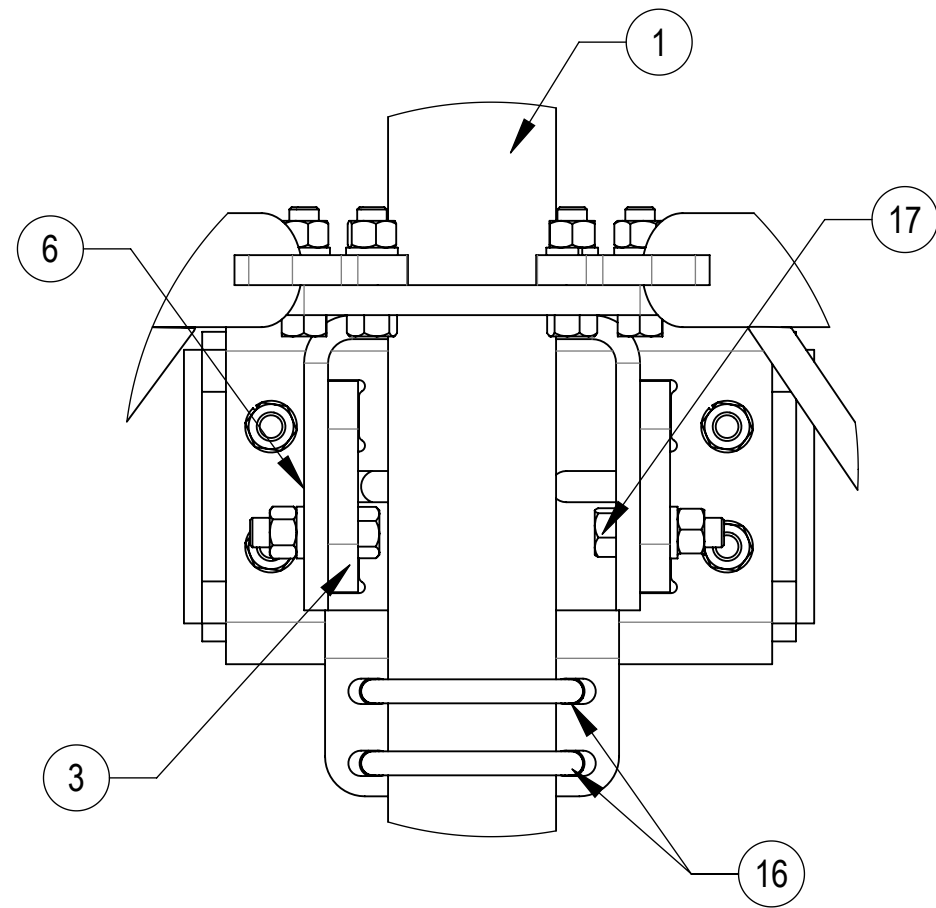
COMMSCOPE, INC. OF NORTH CAROLINA				
TITLE SF, 15', (4) 2.88" X 120" - PIPES - PIM - SPACED				
SIZE C	SCALE 1:22	DOCUMENT NO. SFG22HDX-15-4-H10		
		DRAWING		SHEET
		VERSION	STATUS	REVISION
		02	RE	C
				SHEET 3 OF 7

4

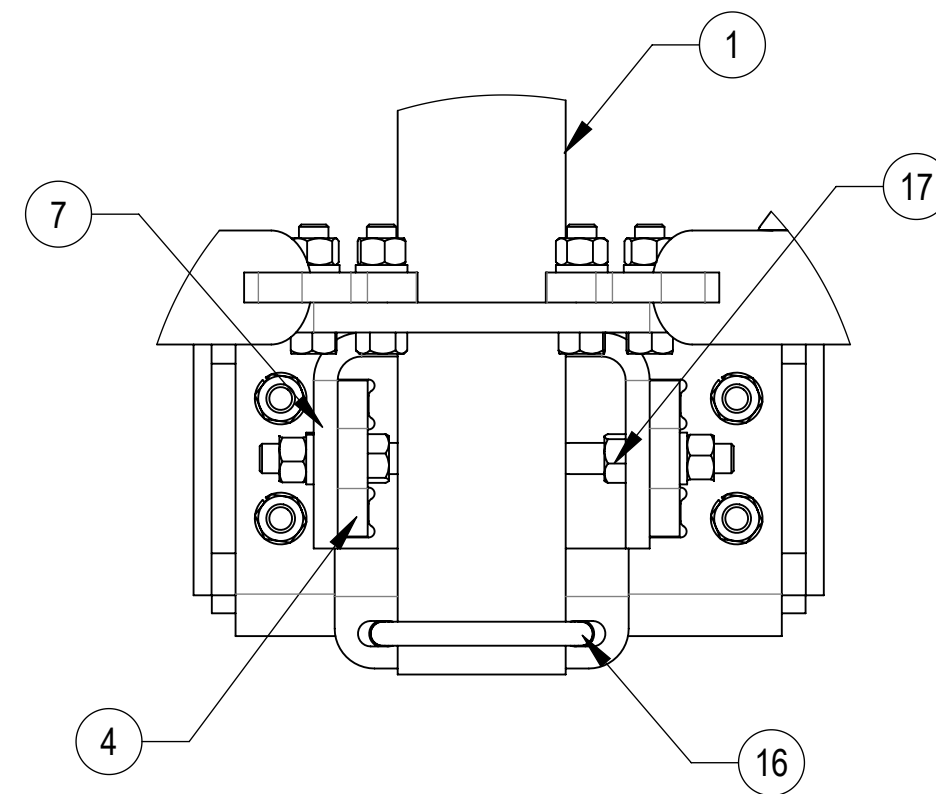
3

2

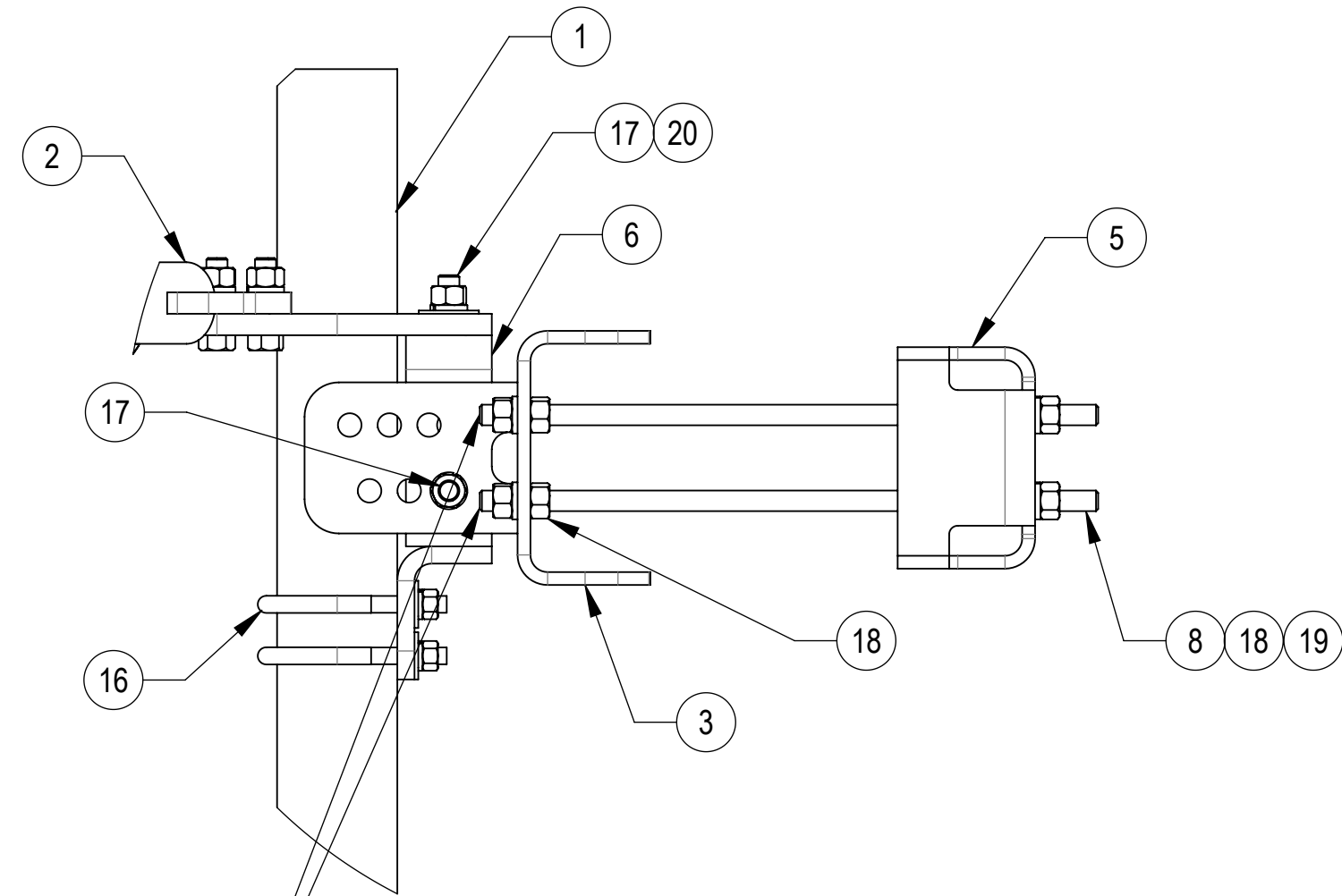
1



DETAIL E
SCALE 1 : 4

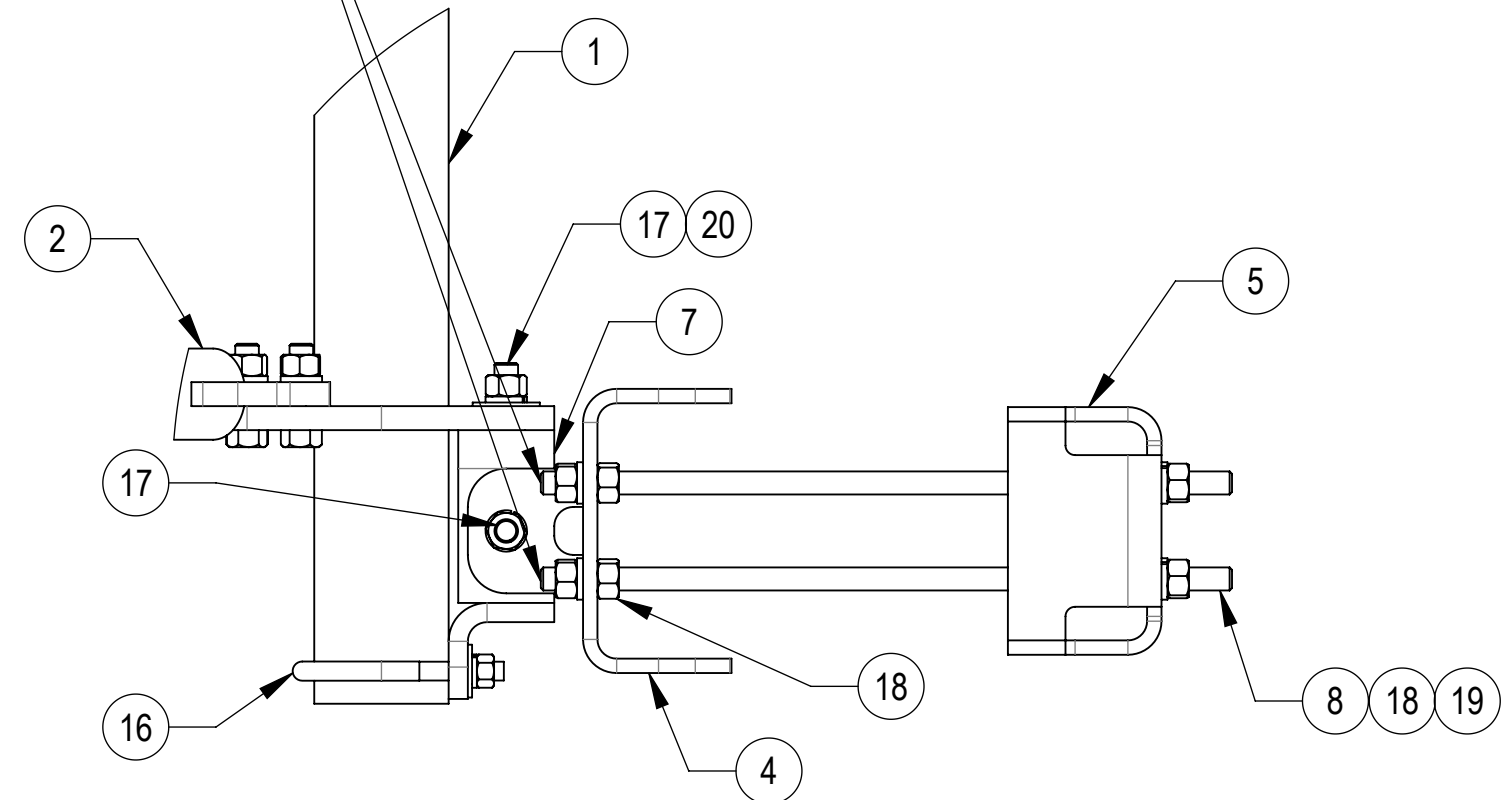


DETAIL F
SCALE 1 : 4


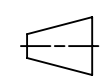


DETAIL G
SCALE 1 : 5

THE THREADED ROD CAN ONLY EXPOSE 4 TO 7 THREADS ON ONE SIDE OF THE BRACKET, WHICH IS TO PREVENT INTERFERENCE WITH THE SIDE BOLTS



DETAIL H
SCALE 1 : 5

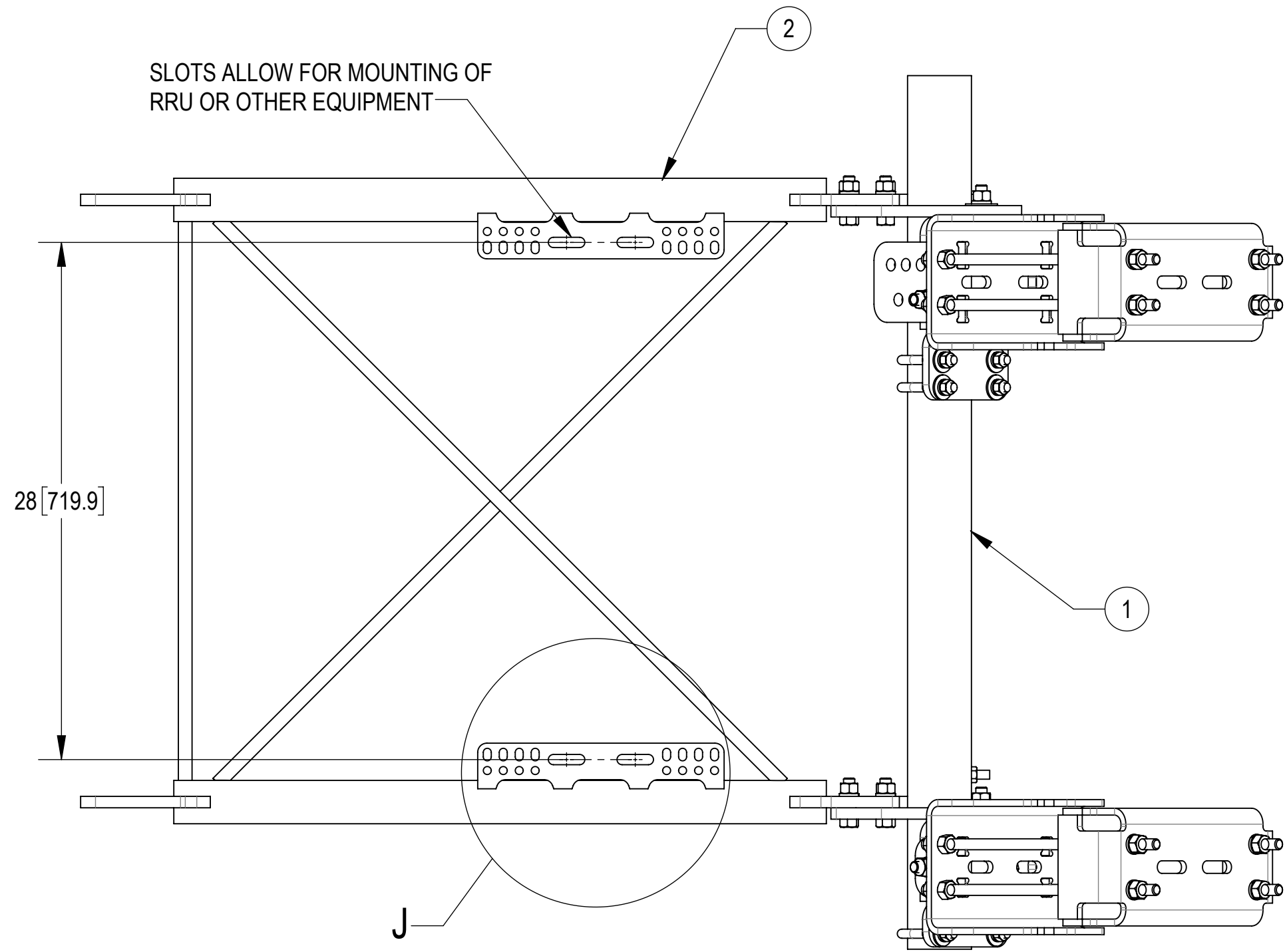
COMMSCOPE, INC. OF NORTH CAROLINA					
TITLE SF, 15', (4) 2.88" X 120" - PIPES - PIM-SPACED					
SIZE C	SCALE 1:20	DOCUMENT NO. SFG22HDX-15-4-H10			
 		DRAWING			SHEET 4 OF 7
		VERSION 02	STATUS RE	REVISION C	

4

3

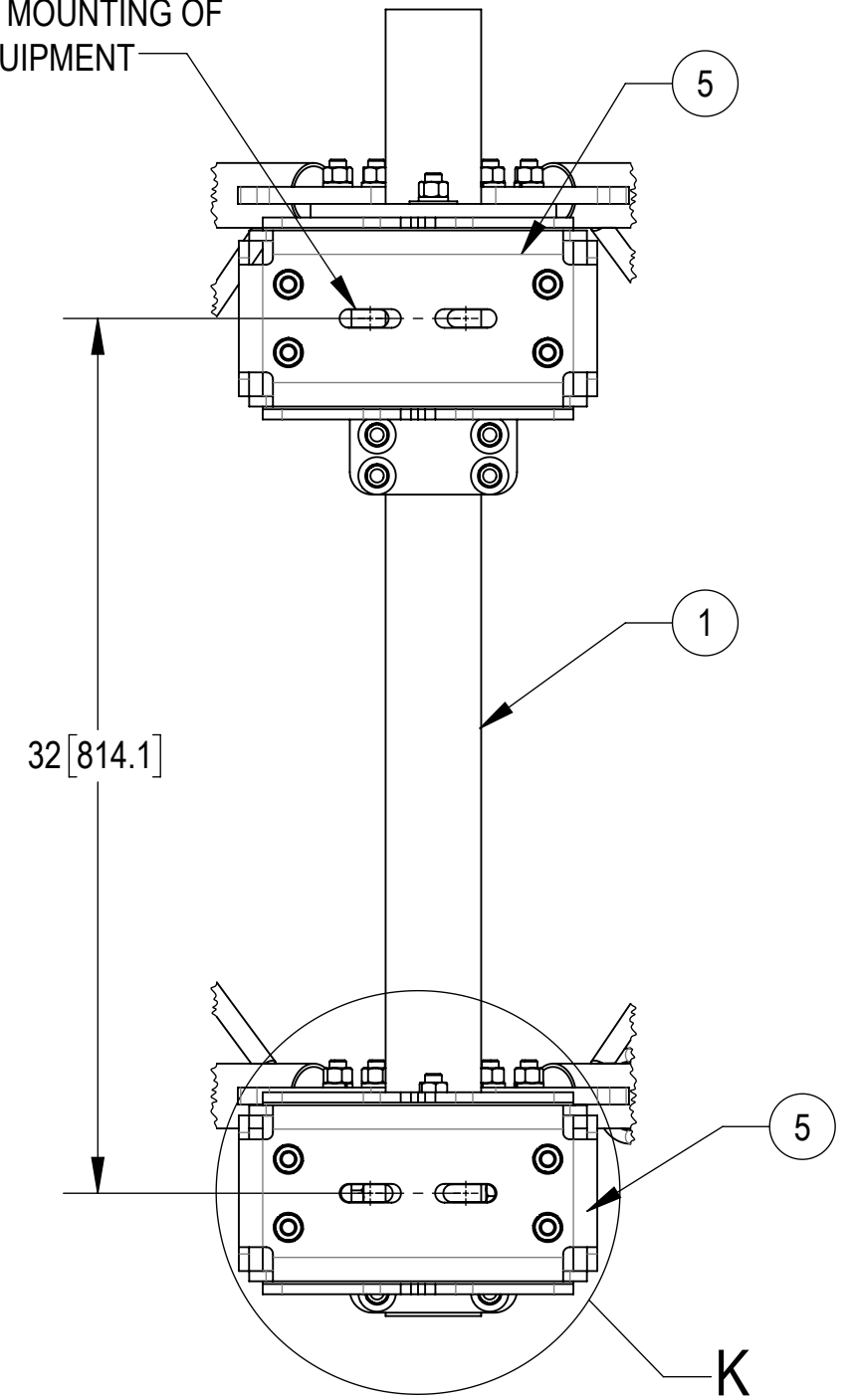
2

1

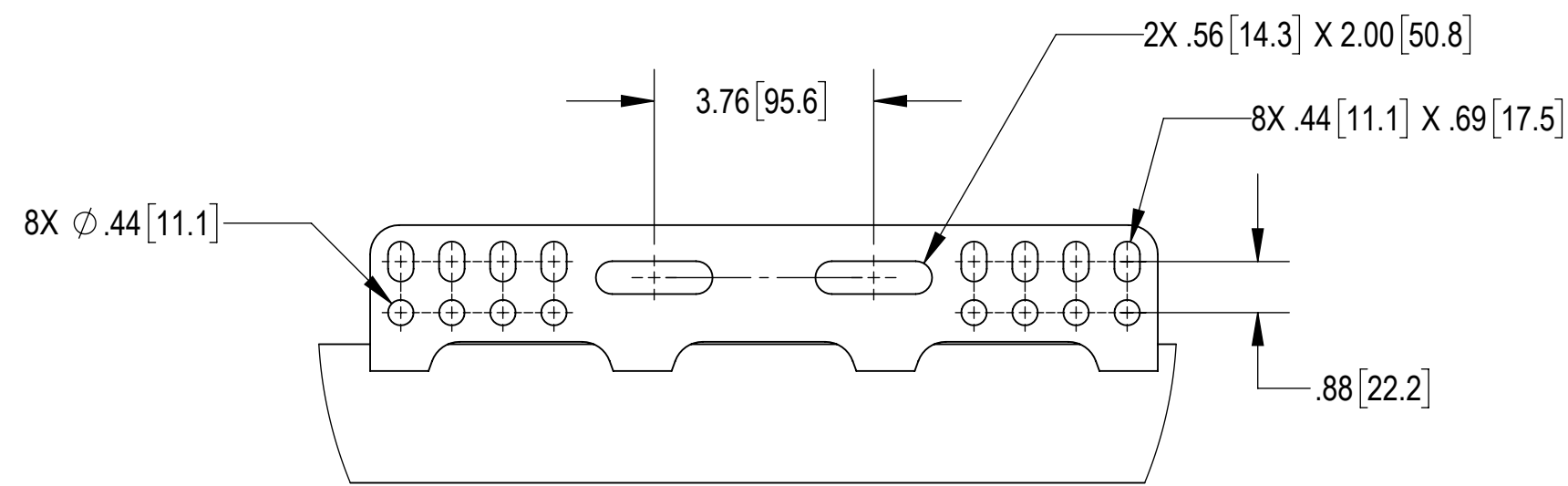


SIDE VIEW

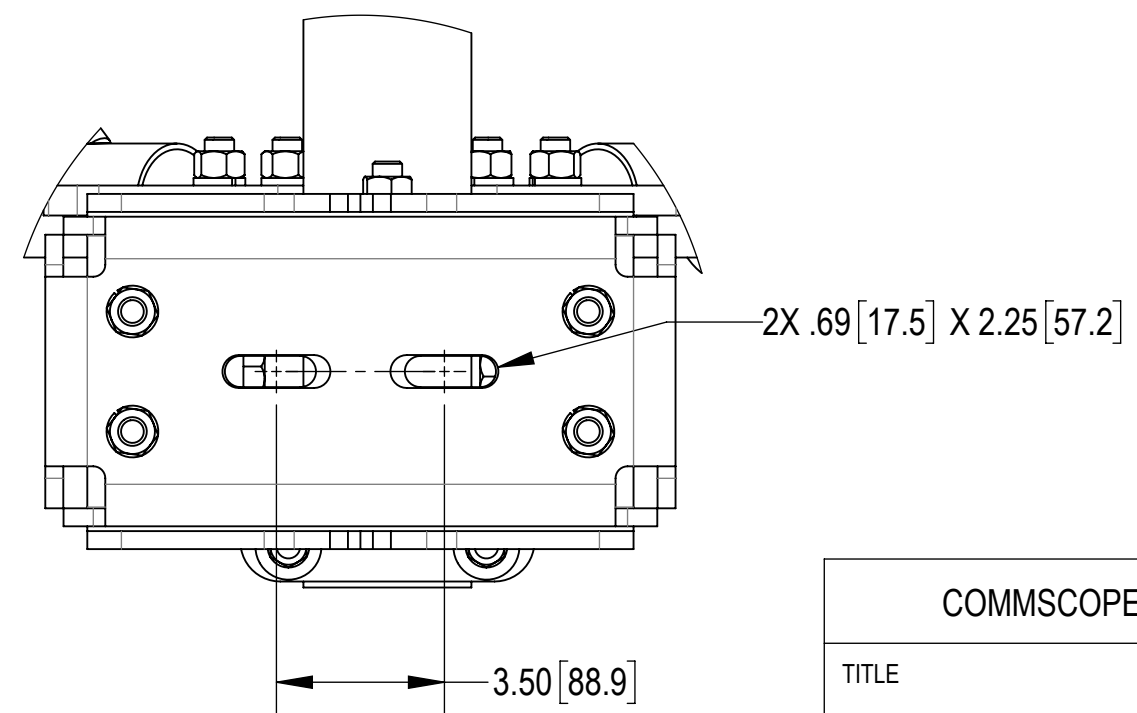
SLOTS ALLOW FOR MOUNTING OF RRU OR OTHER EQUIPMENT



BACK CROP VIEW



DETAIL J
SCALE 1 : 3



DETAIL K
SCALE 1 : 4

COMMSCOPE, INC. OF NORTH CAROLINA				
TITLE SF, 15',(4)2.88"X120"-PIPES-PIM-SPACED				
SIZE C	SCALE 1:6	DOCUMENT NO. SFG22HDX-15-4-H10		
		DRAWING		SHEET
		VERSION 02	STATUS RE	REVISION C
				5 OF 7

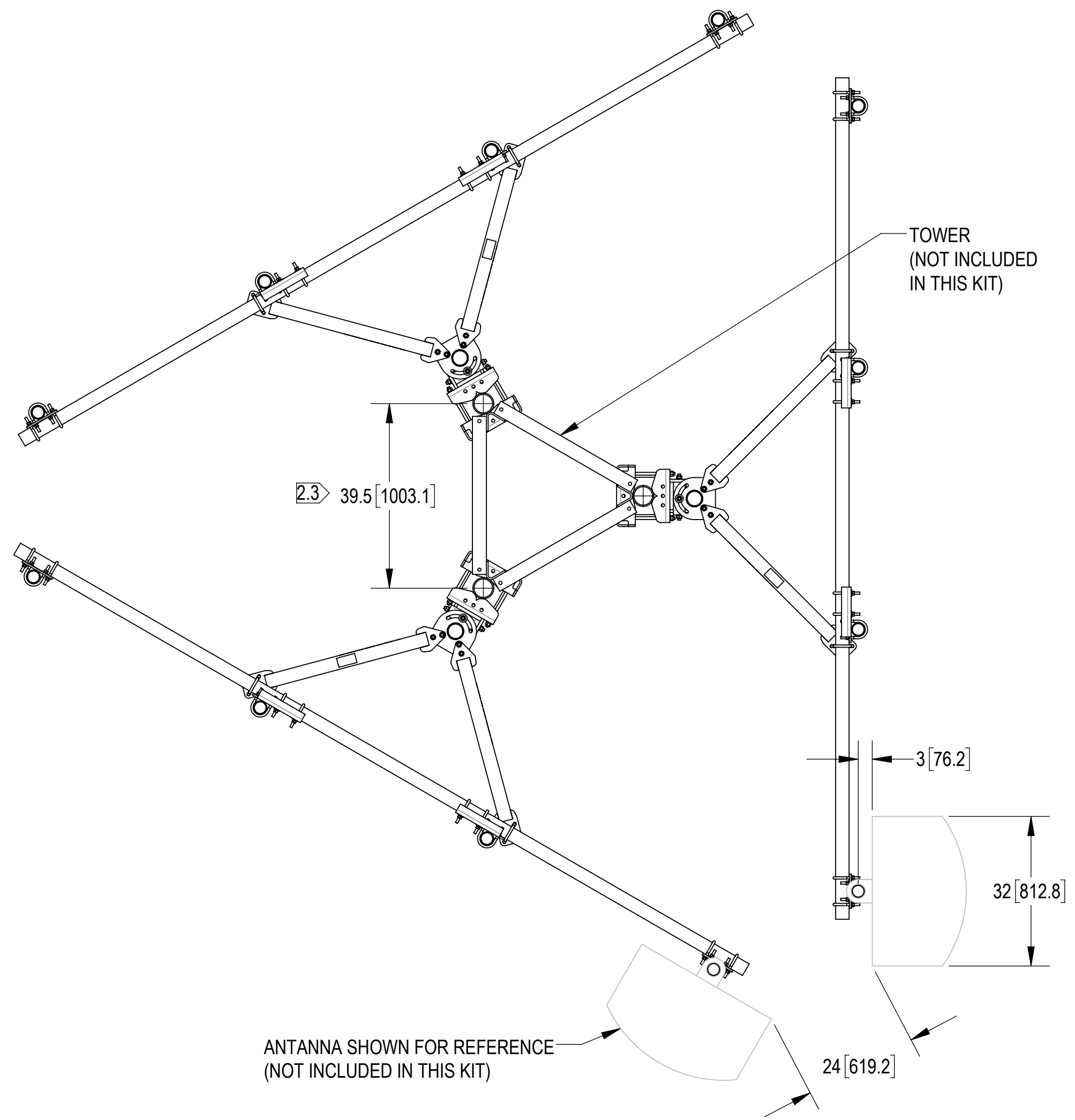
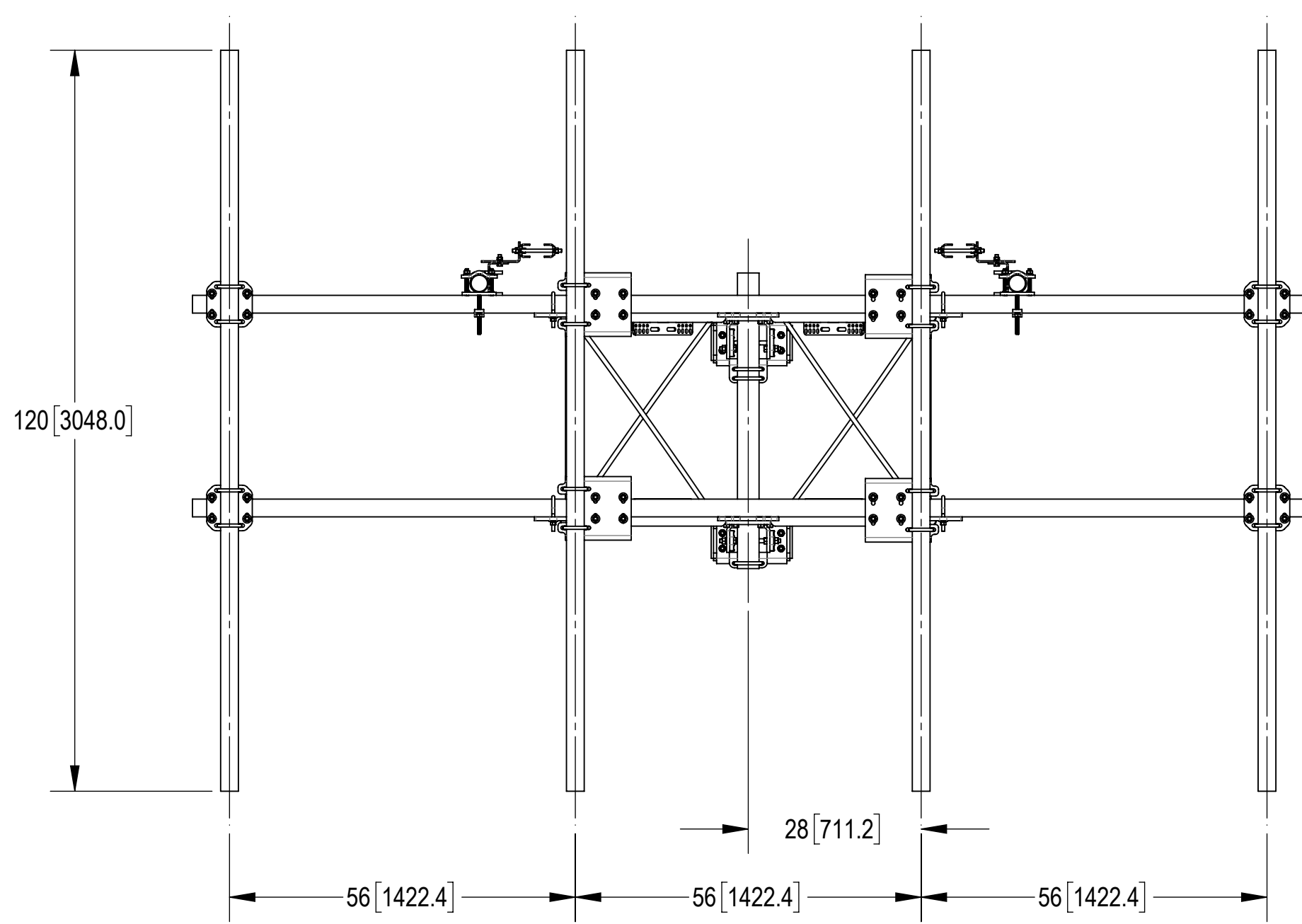
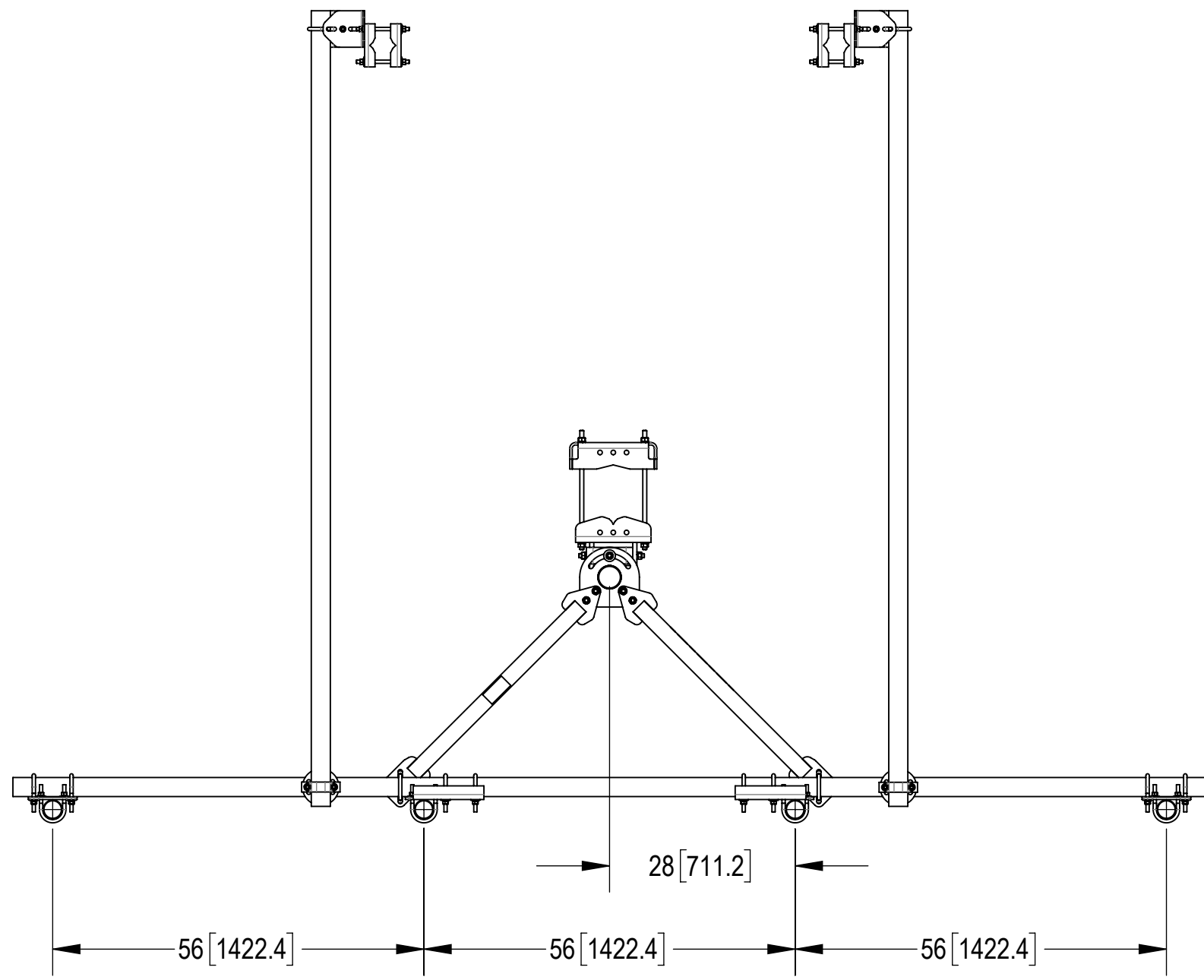
4

3

2

1

ANTENNA SPACING SHOWN



INSTALLED ON STANDARD TOWER SHOWN

COMMSCOPE, INC. OF NORTH CAROLINA				
TITLE SF, 15', (4) 2.88" X 120" - PIPES - PIM - SPACED				
SIZE C	SCALE 1:22	DOCUMENT NO. SFG22HDX-15-4-H10		
		DRAWING		SHEET
		VERSION	STATUS	REVISION
		02	RE	C
				SHEET 6 OF 7

4

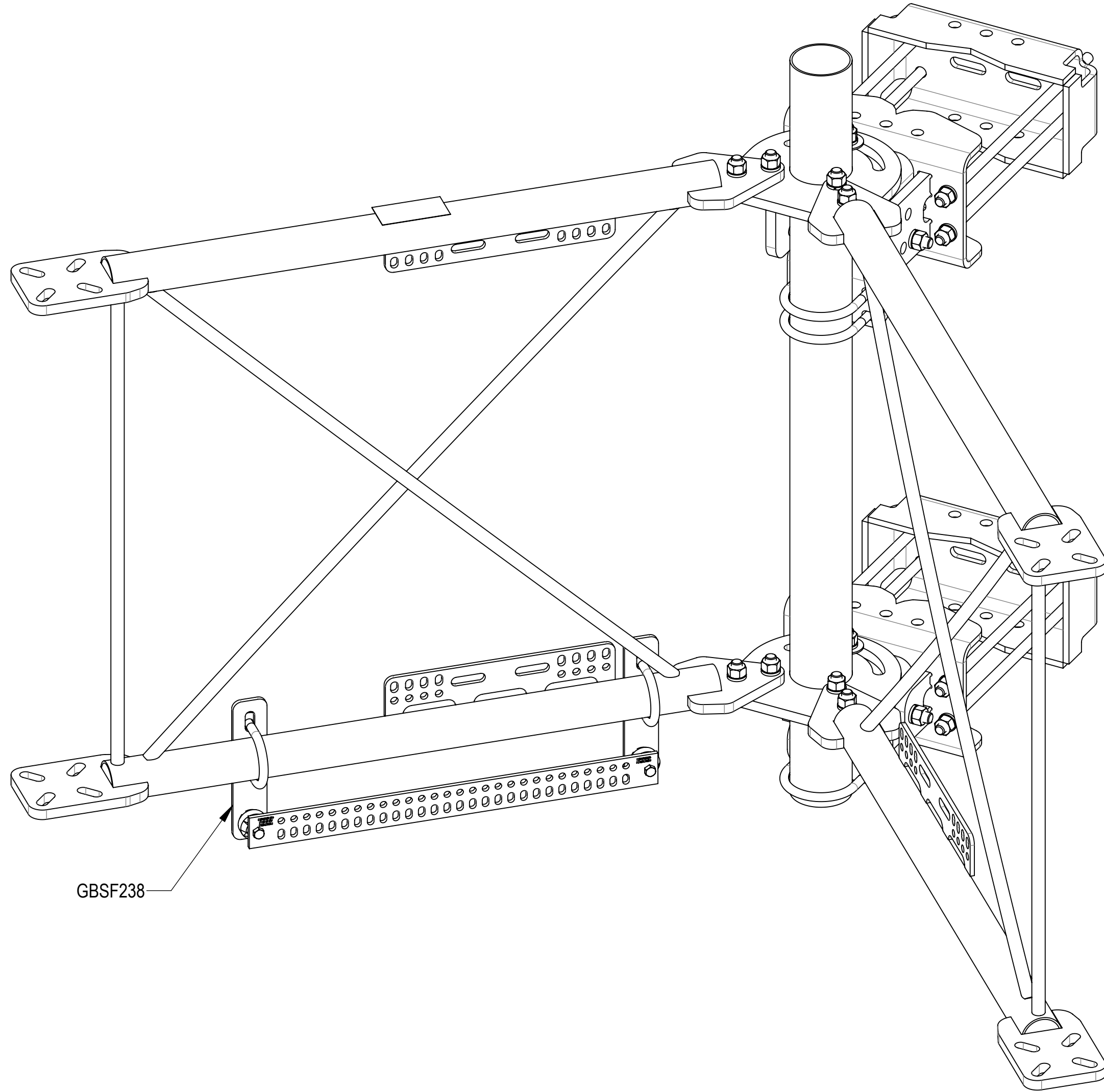
3

2

1

OPTIONAL ACCESSORIES:

BUS BAR MOUNT KIT GBSF238 IS WELL SUITED TO BE USED SHOULD THE NEED ARISE
NOTE THAT THIS KIT DOES NOT INCLUDE THE ISOLATORS OR BUS BAR



GBSF238

ISO VIEW

COMMSCOPE, INC. OF NORTH CAROLINA					
TITLE					
SF, 15', (4) 2.88" X 120" - PIPES - PIM - SPACED					
SIZE	SCALE	DOCUMENT NO.			
C	1:6	SFG22HDX-15-4-H10			
		DRAWING			SHEET
		VERSION	STATUS	REVISION	7 OF 7
		02	RE	C	

4

3

2

1

D

D

C

C

B

B

A

A