

4

3

2

1

- 1.0 GENERAL NOTES
 - 1.1 ALL METRIC DIMENSIONS ARE IN BRACKETS [X. X]
 - 1.2 FOR PATENT INFO: <https://www.cs-pat.com>

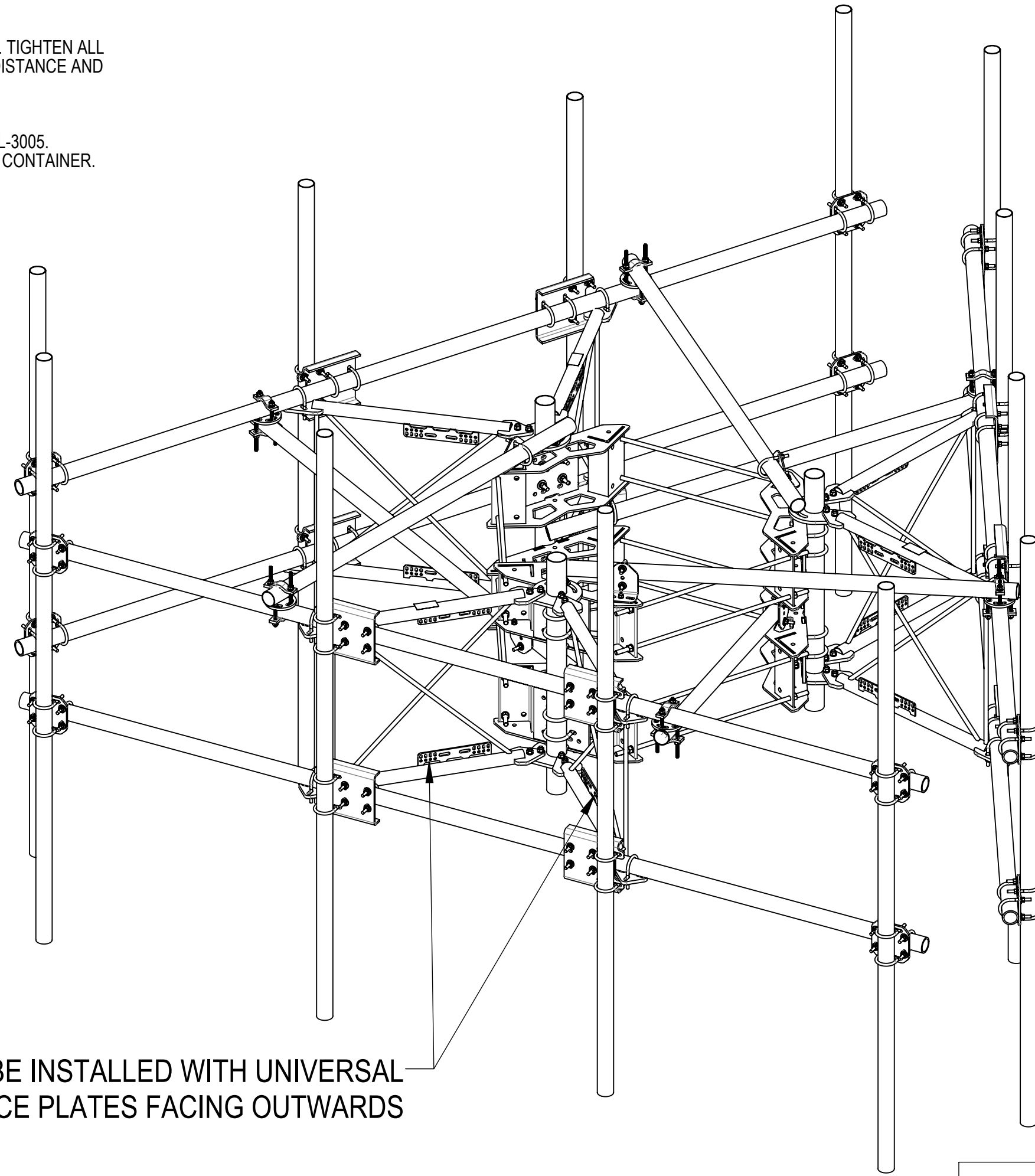
- 2.0 DESIGN NOTES
 - 2.1 ANY HAZARDS OR OBSTRUCTIONS TO THE CLIMBING FACILITY AND SAFETY CLIMB MUST BE IDENTIFIED PRIOR TO INSTALLING THE APPURTENANCE. ADDITIONAL PRODUCTS MAY BE REQUIRED TO MAINTAIN THE INTEGRITY OF THE SAFETY CLIMB. DURING INSTALLATION, TEMPORARY AND/OR PERMANENT PRECAUTIONARY MEASURES SHOULD BE TAKEN TO PRESERVE THE CLIMBING FACILITY AND/OR SAFETY CLIMB.

D **2.2** FITS MONOPOLES 45" TO 50" OD. MONOPOLE DIAMETER MUST BE GREATER THAN OR EQUAL TO 45" TO MEET ANTENNA TO ANTENNA CORNER SPACING OF >24".

- 3.0 MANUFACTURING/SPECIAL REQUIREMENTS
 - 3.1 TIGHTEN ALL BOLTS SECURING FLAT PLATES BY THE TURN-OF-NUT METHOD. TIGHTEN ALL U-BOLTS USING TURN-OF-NUT METHOD WITH ATTENTION TO LEAVE EQUAL DISTANCE AND EQUAL FORCE ON EACH LEG OF THE U-BOLT.

- 4.0 TEST
- 5.0 PACKAGING
 - 5.1 PACKAGING SHALL MEET COMMSCOPE REQUIREMENTS PER DOCUMENT IS-PL-3005.
 - 5.2 PRINTED DOCUMENT TO BE PLACED INSIDE POLYBAG AND THEN IN SHIPPING CONTAINER.
 - 5.3 EXTRA HARDWARE MAY BE SUPPLIED, BAGGED AND SHIPPED.

REVISIONS			
REV.	DESCRIPTION	DATE	APPROVED
A	INITIAL RELEASE	JL1183 18FEB24	CB1094 40188553CMO
B	SFG2292-00 WAS SFG2278; ADDED SHEET 4	RY1002 28NOV24	YZ1080 40209667CMO



SHOULD BE INSTALLED WITH UNIVERSAL INTERFACE PLATES FACING OUTWARDS

COMMSCOPE, INC. OF NORTH CAROLINA									
TOLERANCES		SAP MATERIAL MASTER							
0 PLACE X[X] ± 0.25[6.3]	2 PLACE .XX[X] ± 0.06[1.5]	MCG22HDX15-12-H10							
1 PLACE X[X] ± 0.12[3.0]	ANGLES ± 2°								
FINISH		MATERIAL							
<small>UNLESS OTHERWISE SPECIFIED DIMENSIONS ARE IN INCHES INTERPRET PER ANSI Y 14.5M-1994</small>		NAME	DATE	MP, 15' SF KIT OF 3 W/COLLAR, AP					
		CE JL1183	18FEB24						
		RW RY1002	12/02/2024						
		AD YZ1080	12/04/2024						
		RE YMENG	12/17/2024						
ECN 40209667CMO	SCALE 1:20	DOCUMENT NO. MCG22HDX15-12-H10							
SIZE	Auth Group	INSL	MODEL	DRAWING	SHEET				
C			VERSION	STATUS	REVISION	VERSION	STATUS	REVISION	1 OF 5
			01	RE	B	01	RE	B	

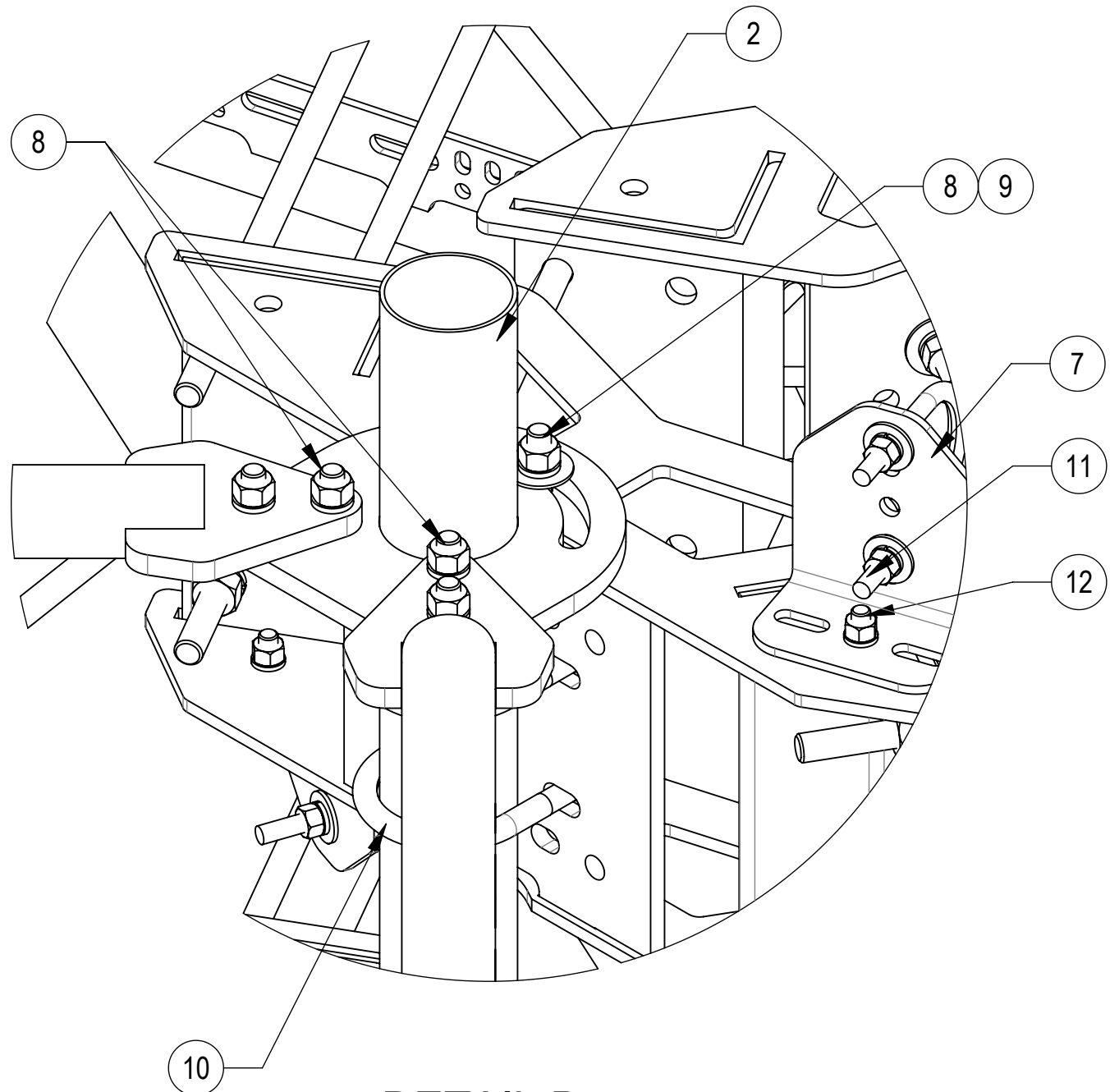
DENSITY		lbs/in³
MASS	2554.31	lbs
VOLUME	11115.56	in³
SURFACE AREA	95237.85	in²
HEIGHT	120"	
LENGTH	201"	
WIDTH	174"	

4

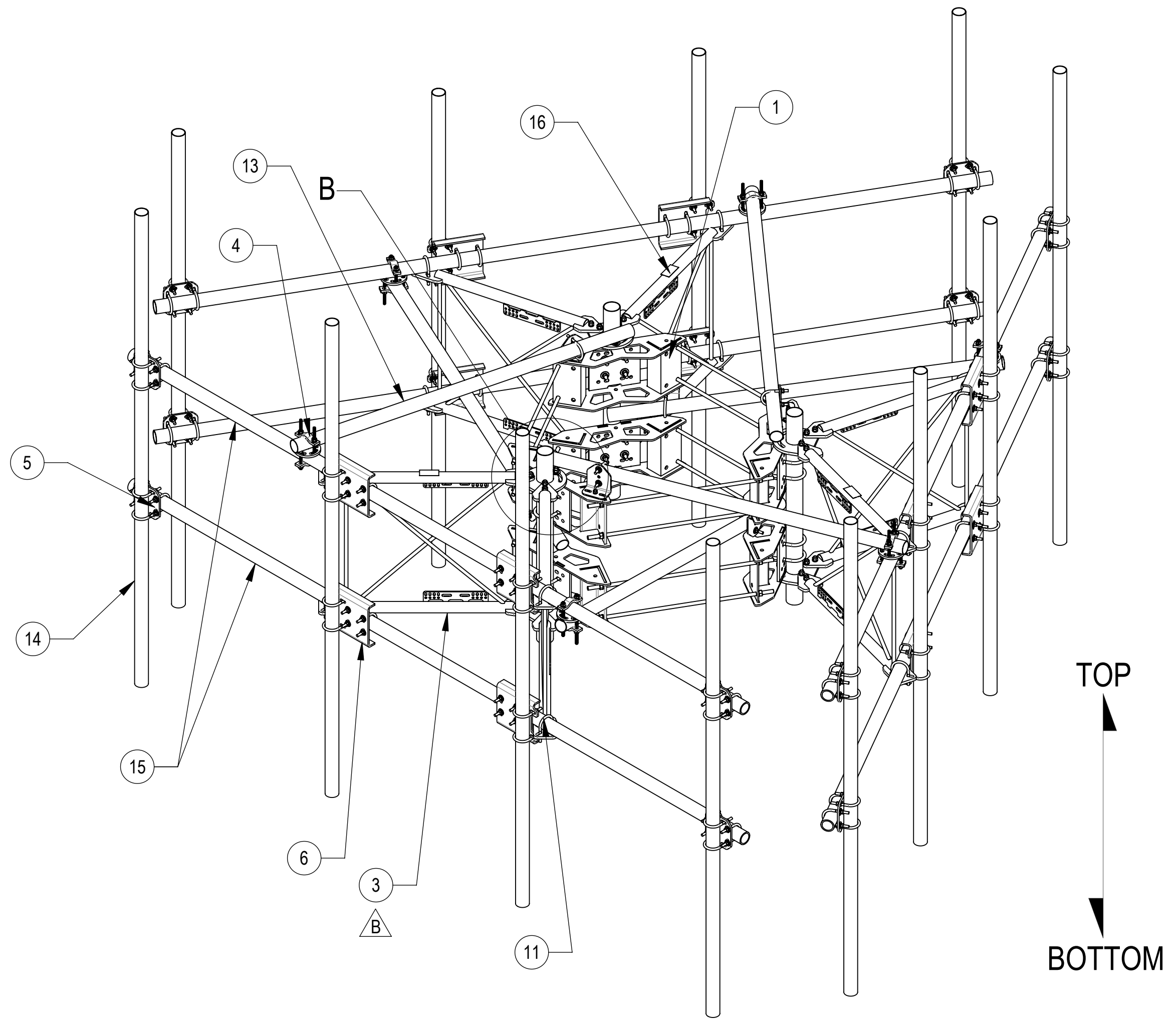
3

2

1



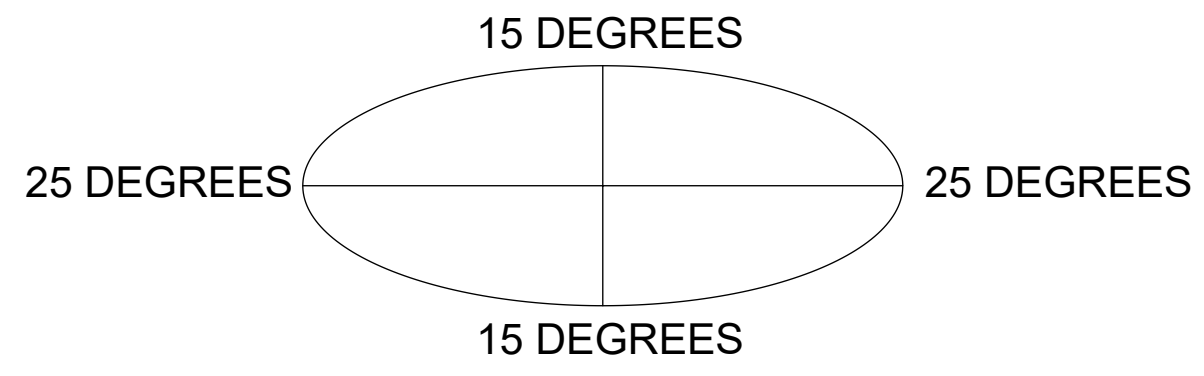
DETAIL B
SCALE 1 : 4



COMPONENT PART NUMBERS PROVIDED FOR ASSEMBLY PURPOSES;
INDIVIDUAL COMPONENTS MAY BE SHIPPED AS PARTS WITHIN AN INCLUDED KIT.

ITEM	PART NO.	DESCRIPTION	QTY.	WEIGHT	NOTE NO.
1	MC-RM1550-3	15" - 50" OD RINGMOUNT	2	229.90 LBS	
2	SFG2270	BACK VERTICAL ARM MOUNT	3	36.96 LBS	
3	SFG2292-00	WELDMENT, V-ARM, SECTOR FRAME 22	6	49.69 LBS	
4	XP-R	CROSSOVER PLATE, ROUND, UP TO 3.5" OD	6	6.20 LBS	
5	XP-2525	CROSSOVER PLATE KIT, 2-7/8 OD X 2-7/8 OD	12	8.37 LBS	
6	XP-2525-OFF	OFFSET CO PLATE KIT, 2-7/8ODX2-7/8OD	12	17.91 LBS	
7	XAU01	ANGLE, CROSSOVER, 1.9-3.5" X 1.9-3.5" OD	6	2.98 LBS	
8	GB-05225	5/8" X 2-1/4" GALV BOLT KIT	30	0.28 LBS	
9	GWF-05	5/8" GALV FLAT WASHER, 1.7OD	6	0.06 LBS	
10	GUB-53560	5/8" X 3-5/8" X 6" GALV U-BOLT	12	1.30 LBS	
11	GUB-4352	1/2" X 3" X 5-1/4" GALV U-BOLT	18	0.71 LBS	
12	GB-04145	1/2" X 1-1/2" GALV BOLT KIT	6	0.13 LBS	
13	MT546084120	2.88" OD X 84" LONG PIPE	6	24.81 LBS	
14	MT546120120	PIPE, 2.875"OD X 120"	12	35.44 LBS	
15	MT546180276	PIPE, 2.875"OD X 180"	6	115.33 LBS	
16	SFG2255	LABEL, SFG22HDX	3	0.04 LBS	

ALLOWABLE TIEBACK ANGLE
± 15 DEGREES VERTICAL
± 25 DEGREES HORIZONTAL



COMMSCOPE, INC. OF NORTH CAROLINA				
TITLE MP, 15' SF KIT OF 3 W/COLLAR, AP				
SIZE C	SCALE 1:20	DOCUMENT NO. MCG22HDX15-12-H10		
DRAWING		VERSION	STATUS	REVISION
		01	RE	B
				SHEET 2 OF 5

4

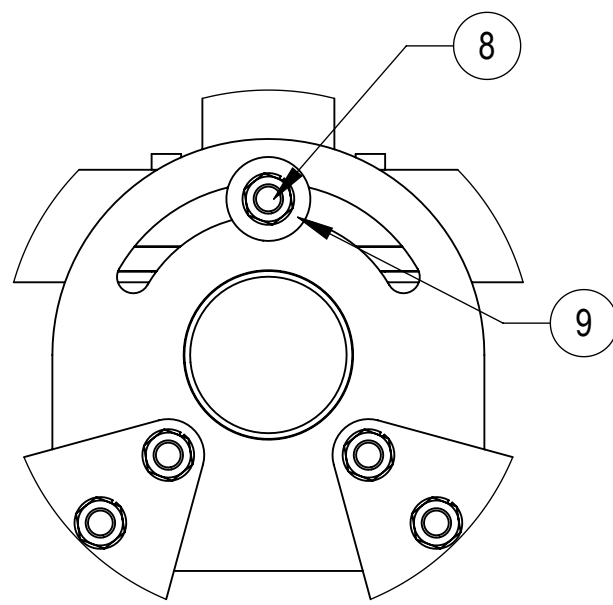
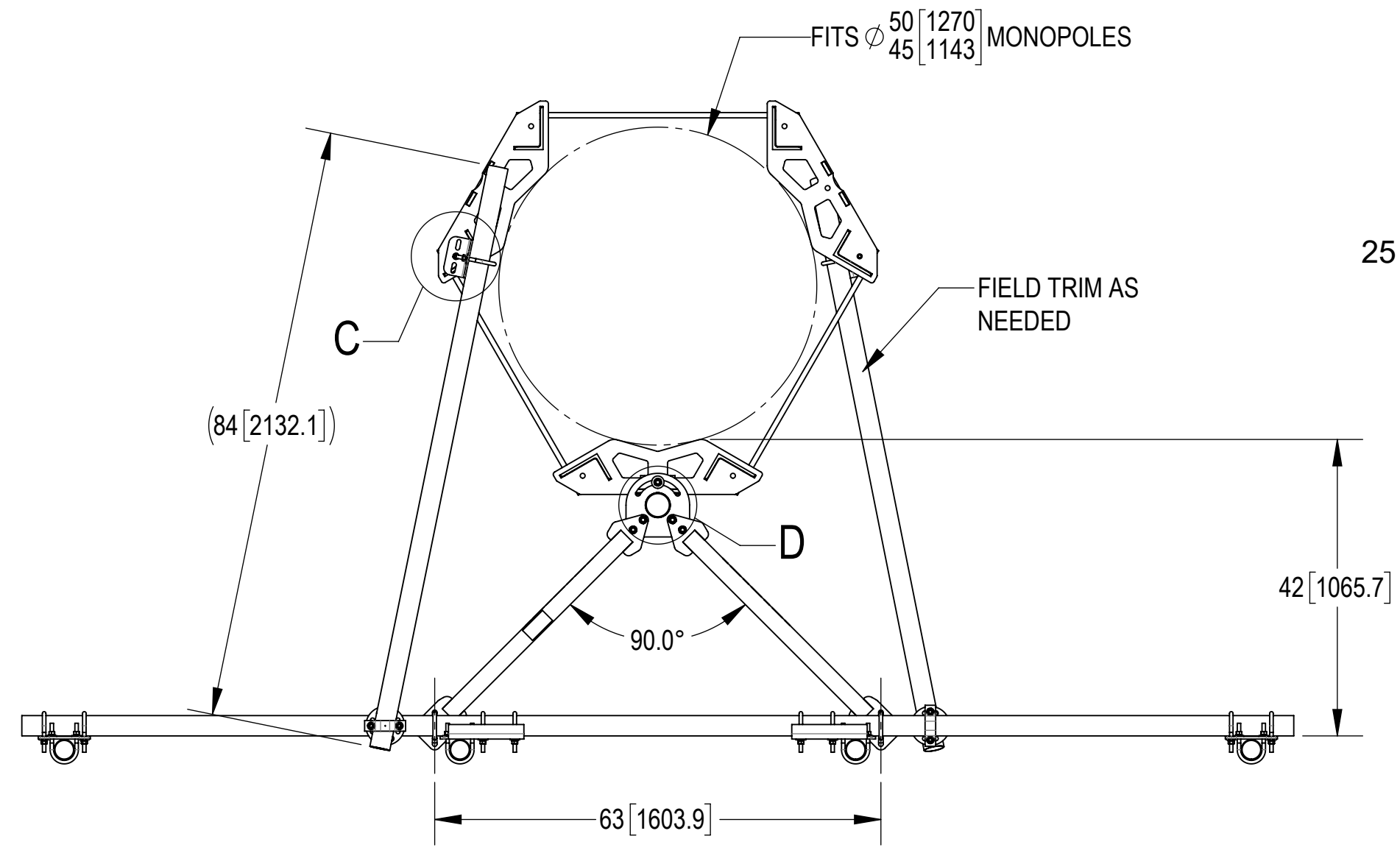
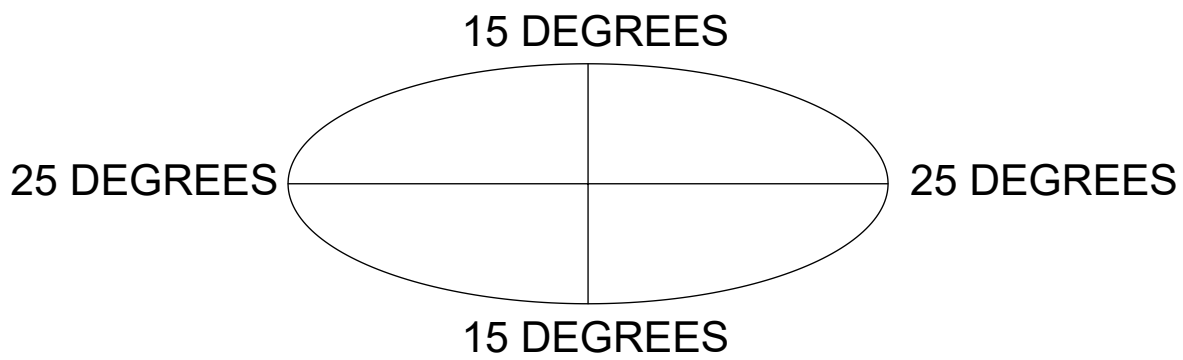
3

2

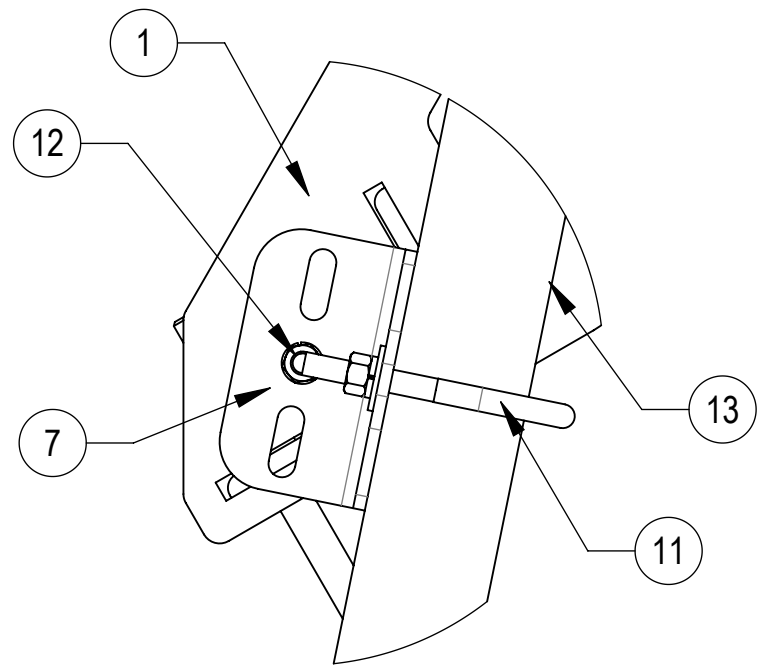
1

ALLOWABLE TIEBACK ANGLE

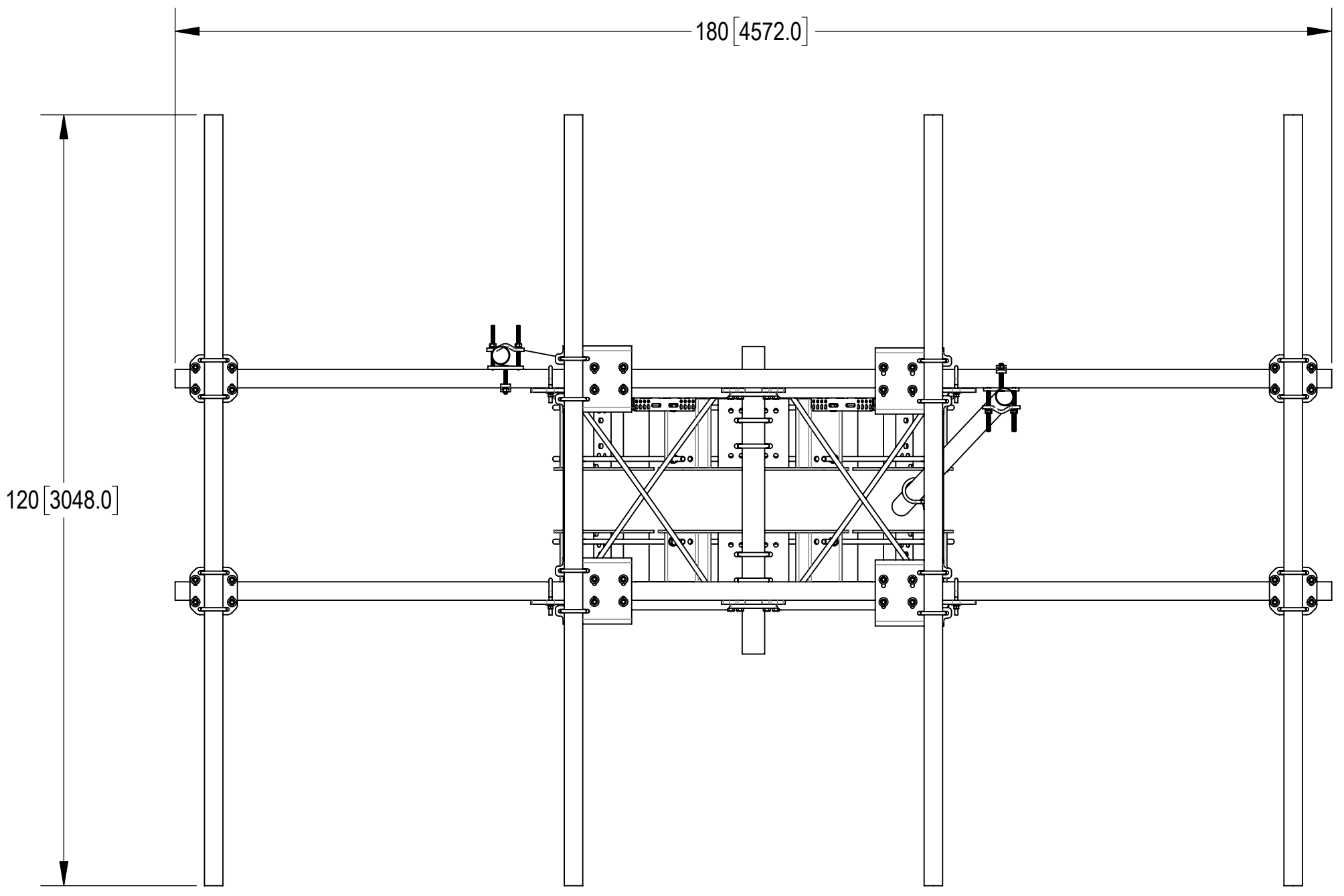
±15 DEGREES VERTICAL
±25 DEGREES HORIZONTAL



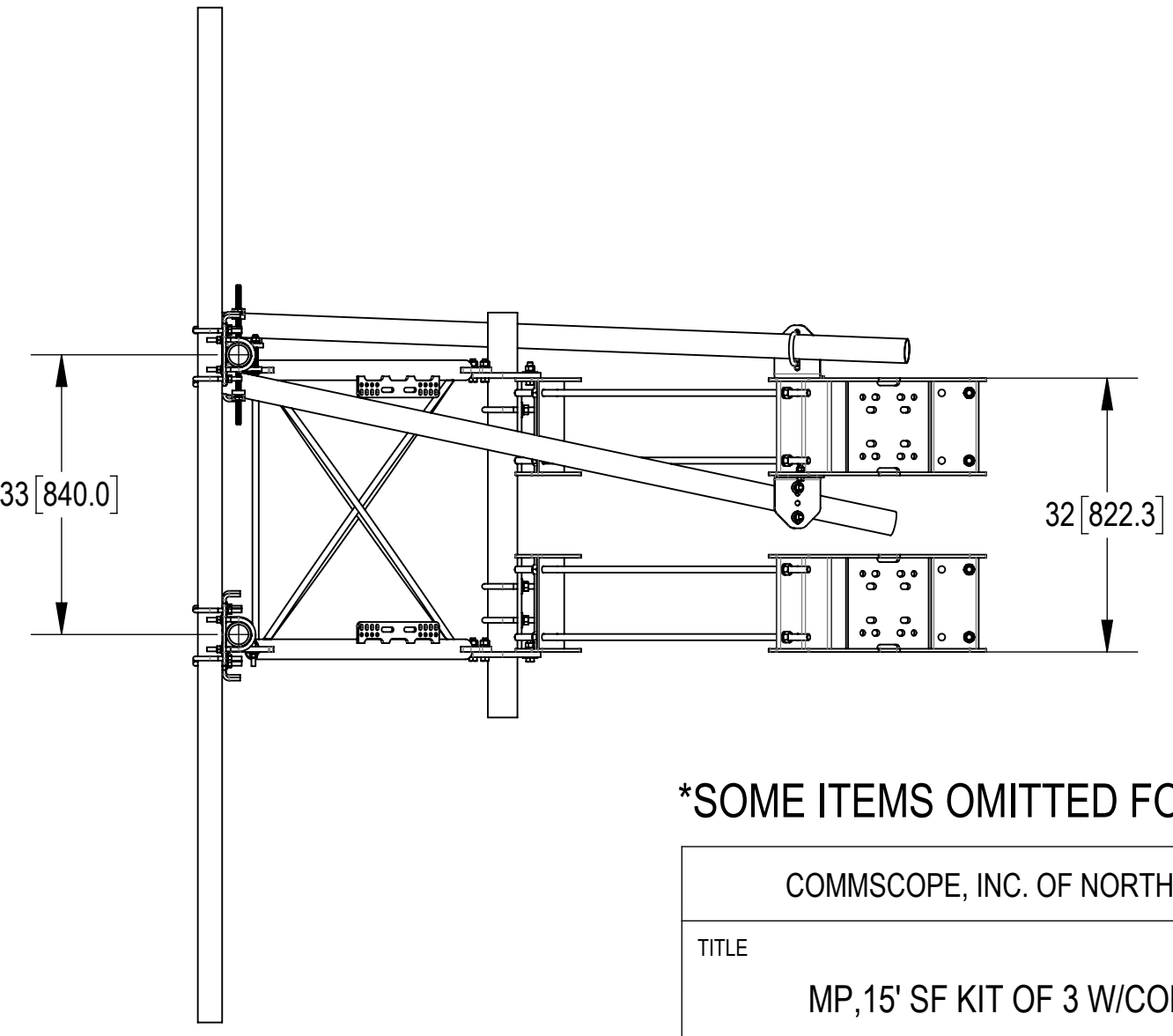
DETAIL D
SCALE 1 : 4



DETAIL C
SCALE 1 : 4



TOP
BOTTOM



SOME ITEMS OMITTED FOR CLARITY

COMMSCOPE, INC. OF NORTH CAROLINA				
TITLE MP, 15' SF KIT OF 3 W/COLLAR, AP				
SIZE C	SCALE 1:20	DOCUMENT NO. MCG22HDX15-12-H10		
		DRAWING		SHEET
		VERSION	STATUS	REVISION
		01	RE	B
				3 OF 5

4

3

2

1

4

3

2

1

D

D

C

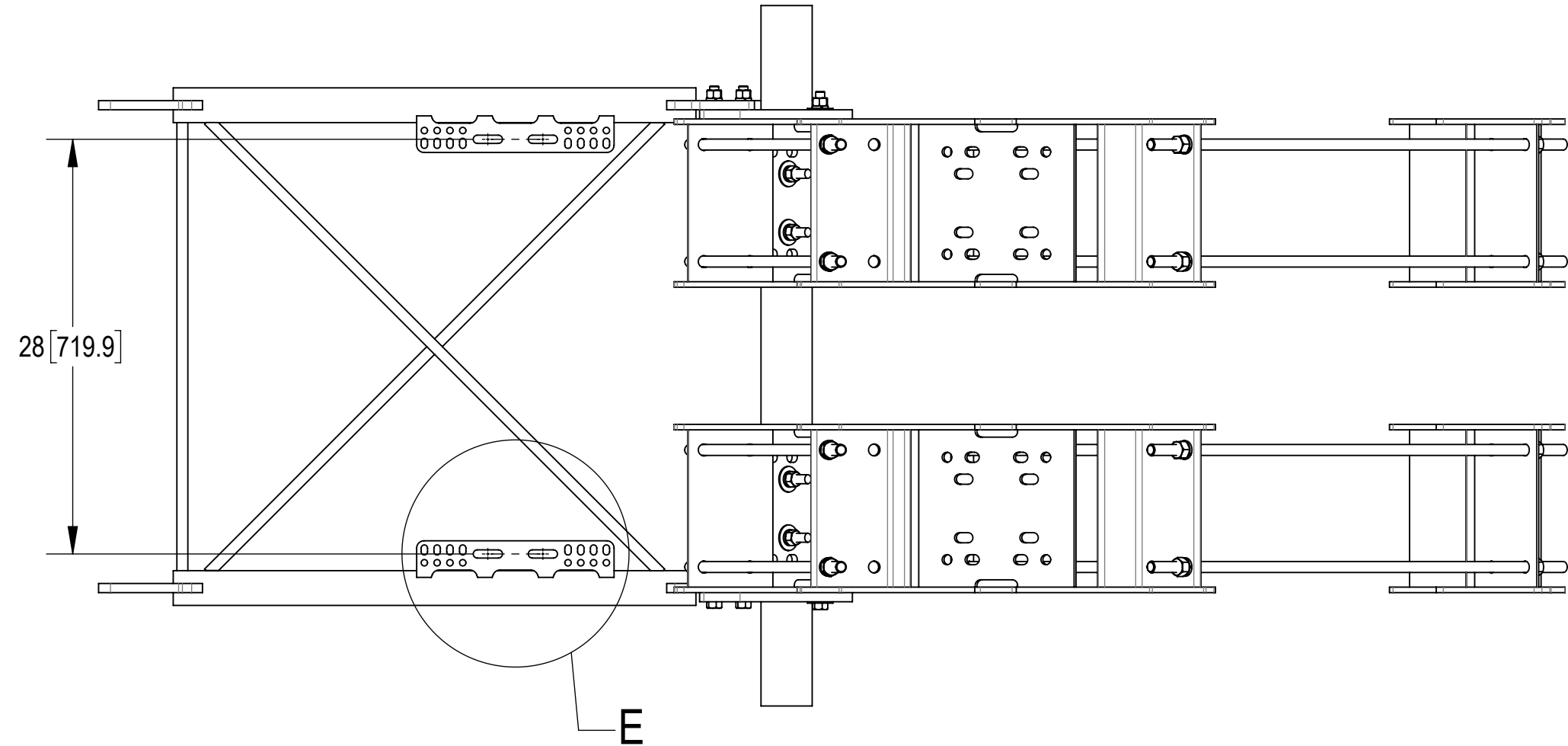
C

B

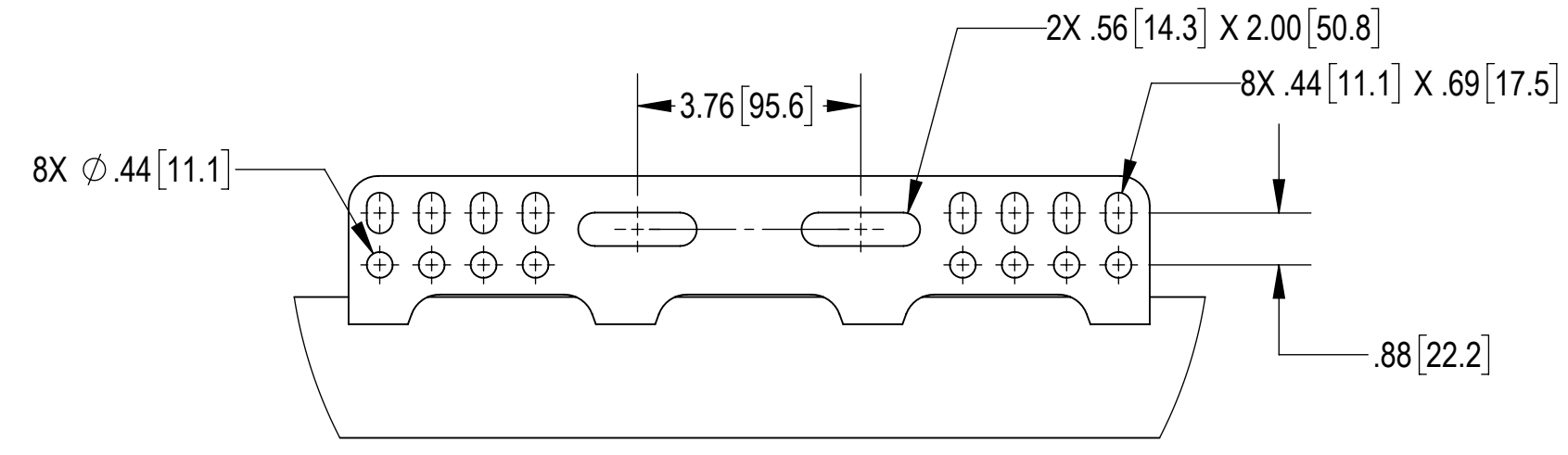
B

A

A



SIDE VIEW



DETAIL E
SCALE 1 : 3

COMMSCOPE, INC. OF NORTH CAROLINA				
TITLE MP,15' SF KIT OF 3 W/COLLAR,AP				
SIZE C	SCALE 1:10	DOCUMENT NO. MCG22HDX15-12-H10		
		DRAWING		SHEET
		VERSION 01	STATUS RE	REVISION B

4

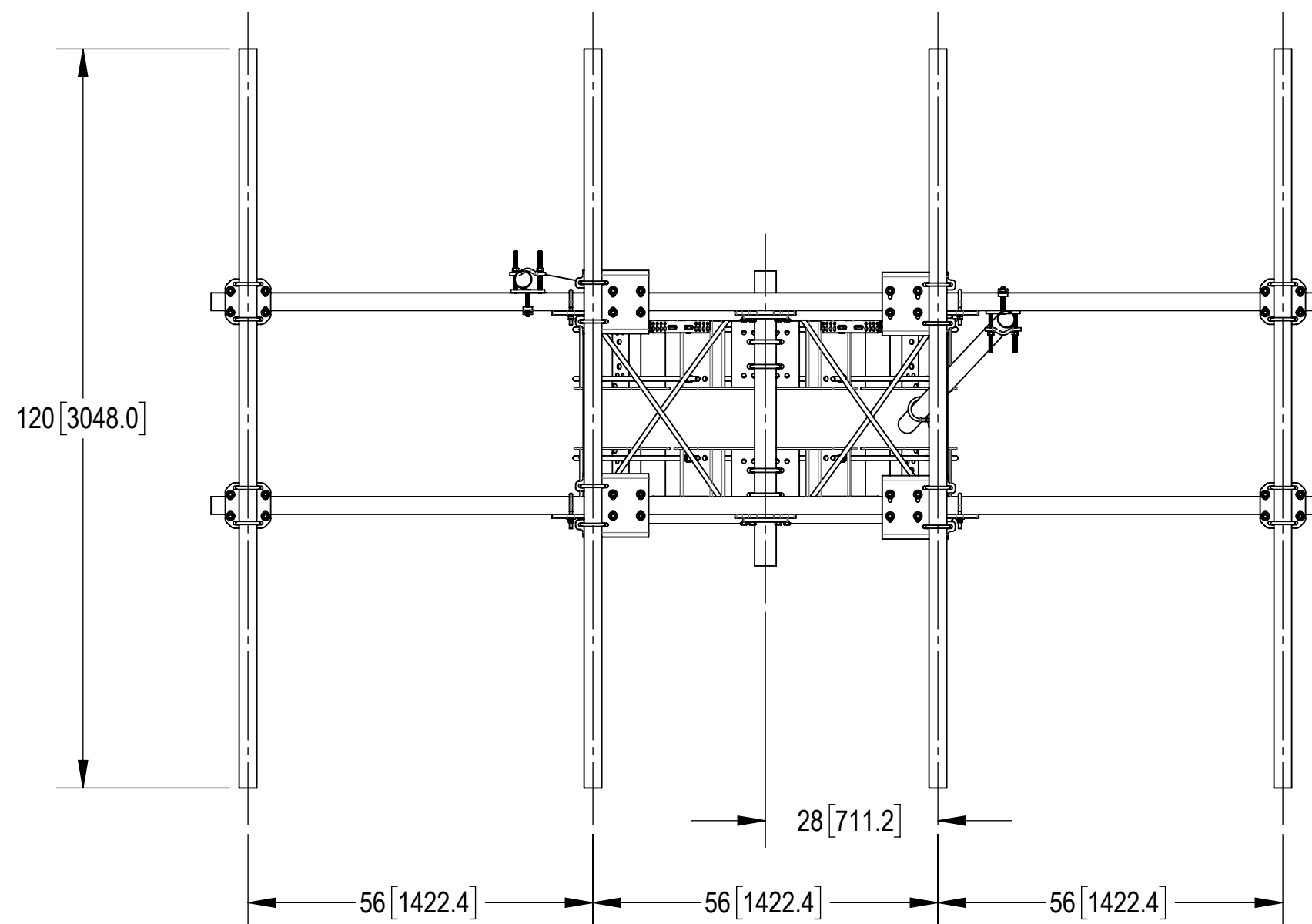
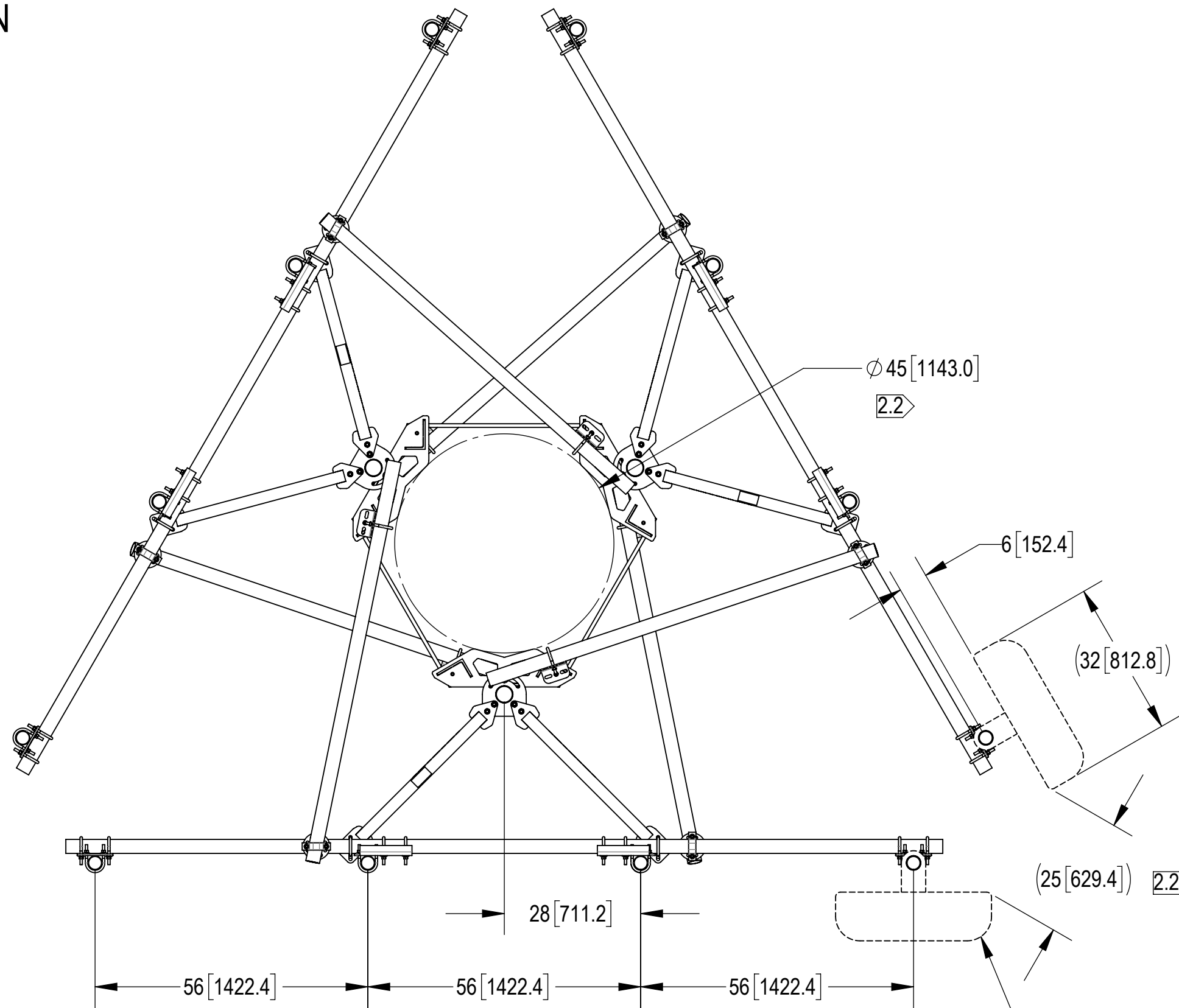
3

2


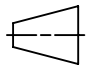
1

↑

ANTENNA SPACING SHOWN



SOME ITEMS OMITTED FOR CLARITY

COMMSCOPE, INC. OF NORTH CAROLINA				
TITLE MP, 15' SF KIT OF 3 W/COLLAR, AP				
SIZE C	SCALE 1:24	DOCUMENT NO. MCG22HDX15-12-H10		
DRAWING		VERSION	STATUS	REVISION
 		01	RE	B
				SHEET 5 OF 5